

# BALLARD DESIGNS®



## TUSCAN *collection* PRODUCT GUIDE



# TUSCAN *collection*

Our Tuscan home office furniture blends modern versatility with the classic looks of a custom built-in. Each piece in the collection works with every other, so you can design a workstation or storage solution to fit your space and needs perfectly.

*timeless built-in looks  
with modern modularity  
built right in*



## HOME OFFICE

Tuscan works the way you do. Create a big office feel in a small space, a secretary desk ideal for double-duty spaces, or even a two-person office with partner's desk.

## STORAGE & SHELVING

Add as much storage and display as you need in the office, kitchen or family room with modular Tuscan bookcases and filing consoles.

## MEDIA

Media Consoles work with any of our Tuscan bookcases and cabinets to custom fit your space and components.

# SHELVING

Bookcases are the true building blocks of our Tuscan Collection. Create a wall of storage and display by standing as many as you need side-by-side to fit your space and needs. See our most popular combinations on page 4.



*Flush edges let you stand as many bookcases side-by-side as your space allows.*

**LEFT BOOKCASE**  
81¾"H x 26½"W x 15"D  
•MV133



**FLUSH BOOKCASE**  
81¾"H x 26½"W x 15"D  
•MV150



**RIGHT BOOKCASE**  
81¾"H x 26½"W x 15"D  
•MV146



**LARGE BOOKCASE**  
85¾"H x 46½"W x 18¾"D  
•MV121

*Left, Flush or Right Bookcases fit snugly under the molding of these larger bookcases.*



**BOOKCASE WITH CABINET**  
85¾"H x 37"W x 16¼"D  
•MV397

Touch light with two glass shelves



# SHELVING COMBINATIONS



**FLUSH SET OF 3 BOOKCASES**  
 Left, Flush & Right Bookcase.  
 81¾"H x 79½"W x 15"D  
 •MV164



**FLUSH SET OF 4 BOOKCASES**  
 Left, 2 Flush & Right Bookcase.  
 81¾"H x 106"W x 15"D  
 •MV324



**LARGE SET OF 3 BOOKCASES**  
 Left, Large & Right Bookcase.  
 85¾"H x 94¾"W x 18¾"D  
 •MV162



**3 PIECE BOOKCASE WITH CABINET**  
 85½"H x 90"W x 16¼"D  
 •MV398

Each piece in the Tuscan collection works with every other, so you can design a storage solution to fit your space and needs perfectly.





# MEDIA & COMBINATIONS

To create an integrated home entertainment center, start with a Tuscan Media Console. Add the Tuscan Bookcase with Cabinet to create a home entertainment center with storage.



**WIDE MEDIA CONSOLE**  
Holds most TV's up to 70".  
30¼"H x 63"W x 17"D  
•MQ098



**3 PIECE LARGE MEDIA GROUP**  
85½"H x 137"W x 17"D.  
Interior TV space is 63" W.  
•MQ099

Each piece in the Tuscan collection works with every other, so you can design a storage solution to fit your space and needs perfectly.



# HOME OFFICE

Choose a desk, select the cabinet styles that suit your storage needs to perfection, even add an optional hutch. We've never seen a space that wouldn't work happily with Tuscan.



## STANDARD DESK

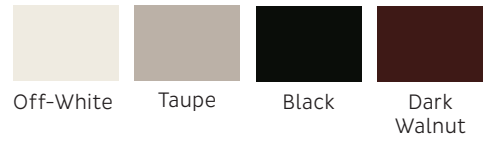
Finished on three sides and designed to stand against a wall. 30"H x 70"W x 24"D

•M0518

Mix and match two base styles – File Cabinet or File Cabinet with Charging Station – to create your ideal office storage combination.

## FINISHES

(swatches available)



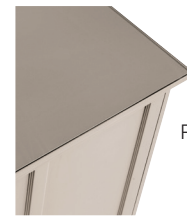
Off-White

Taupe

Black

Dark Walnut

## add a GLASS TOPPER



GLASS TOPPER FOR STANDARD DESK  
¼"H x 70"W x 24"D

•M0639

FOR DOUBLE PEDESTAL DESK OR DESK RETURN  
¼"H x 72"W x 36"D

•M0638



## DOUBLE PEDESTAL DESK

30"H x 72"W x 36"D

•M0362

Face drawers and open cabinets in either direction to create a custom combination.

## BACK



## BACK



## DESK RETURN

30"H x 72"W x 36"D

•M0255

This modular desk includes leg, cabinet and work surface, so you can customize your office space.

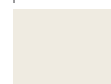




# HOME OFFICE

Perfect for a small home office, bedroom, or tucked along an open wall, the Tuscan Secretary Desk blends classic styling with hard-working modern utility.

## FINISHES *(swatches available)*



Off-White



Taupe



Black



Dark Walnut



Built-in lighting adjusts to three levels with a simple touch.

Built-in power strip & slow-close safety hinges

**SECRETARY**  
81 $\frac{3}{4}$ "H x 36"W x 15"D  
•MO400

# HOME OFFICE

Mix and match these Hutches, Cabinets and Consoles to fit your needs perfectly. Use the Cabinets or File Consoles in multiples to create a custom length Console.



**HUTCH WITH SHELVES**  
51 $\frac{1}{4}$ "H x 36"W x 15"D  
•MV443



**HUTCH WITH DOORS**  
51 $\frac{1}{4}$ "H x 36"W x 15"D  
•M0226

Touch light  
with two  
glass shelves



**CABINET**  
30"H x 36"W x 17 $\frac{1}{4}$ "D  
•MV442



**FILE CONSOLE**  
30"H x 36"W x 17 $\frac{1}{4}$ "D  
•M0227

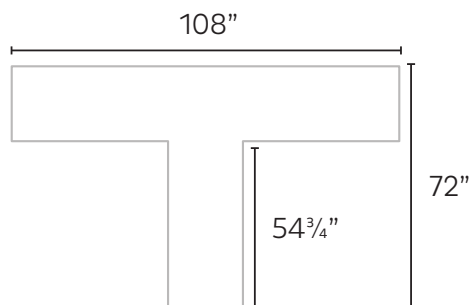
File consoles have  
full-extension  
metal glides



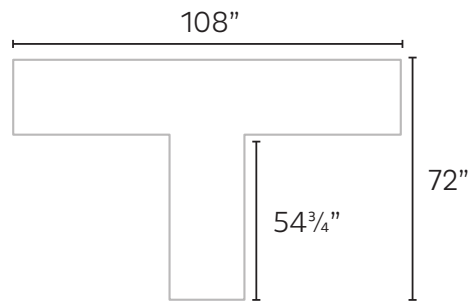
# HOME OFFICE COMBINATIONS



**LARGE RETURN GROUP WITH SHELVES**  
 Desk Return, 3 Hutches with Shelves & 2 Cabinets.  
 81¼"H x 108"W x 72"D •MV453



**LARGE RETURN OFFICE GROUP**  
 Desk Return, 2 File Hutches & Consoles.  
 81¼"H x 108"W x 72"D •M0303



Each piece in the Tuscan collection works with every other, so you can design a storage solution to fit your space and needs perfectly.



# HOME OFFICE COMBINATIONS



**CABINET & HUTCH  
WITH SHELVES**  
81¼"H x 36"W x 17¼"D  
•MV450



**FILE CONSOLE & HUTCH  
WITH SHELVES**  
81¼"H x 36"W x 17¼"D  
•MV451



**CABINET & HUTCH  
WITH DOORS**  
81¼"H x 36"W x 17¼"D  
•MV452



**FILE CONSOLE & HUTCH  
WITH DOORS**  
81¼"H x 36"W x 17¼"D  
•M0228



**3 PIECE SECRETARY GROUP**  
Secretary, Left & Right Bookcase.  
81¼"H x 89"W x 15"D  
•M0423

Each piece in the Tuscan collection works with every other, so you can design a storage solution to fit your space and needs perfectly.





# IDEAS & INSPIRATION



Large Return Office Group



Desk Return, 2 Hutches with Shelves & 2 Cabinets.



Double Pedestal Desk, 3 Piece Bookcase with Cabinet and Flush set of 3 Bookcases



# IDEAS & INSPIRATION



3 Piece Large Media Group



Flush set of 3 Bookcases



Double Pedestal Desk, 2 File Consoles, 2 Hutches with Shelves, Left Bookcase, 2 Flush & Right Bookcases

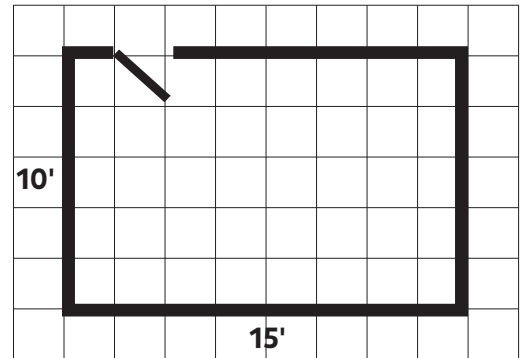


# DESIGN YOUR CUSTOM STORAGE

# 1

## MEASURE YOUR ROOM

We provide graph paper in the back of this guide to help you build a floorplan.

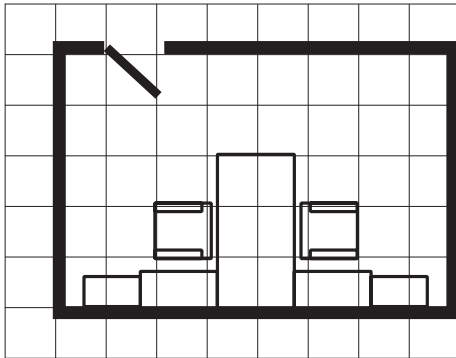


# 2

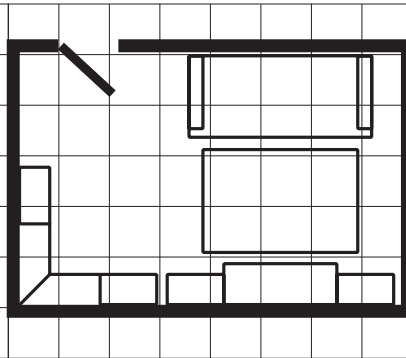
## DESIGN YOUR FLOORPLAN

Next, consider how you will use the space. Primarily for extra storage? Home office? Media center or some combination? Then use the graph paper to plan your room. We created a few solutions below for a typical 10' x 15' room, but your options with Tuscan are limitless.

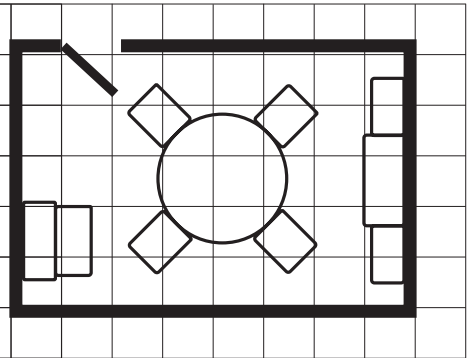
IDEA #1: UPSTAIRS OFFICE



IDEA #2: FAMILY ROOM



IDEA #3: DINING ROOM



# 3

## CONFIGURE YOUR FURNITURE

To build an entire room with Tuscan, start with the largest piece, and then layer in more storage, office or media solutions to fill your space. Use just one or add as many components as you need to maximize your storage.



# PLAN YOUR SPACE

---

