

BALLARD DESIGNS®



HUTTON *collection* PRODUCT GUIDE

HUTTON *collection*

CHANGE THE LOOK TO FIT YOUR STYLE

The real beauty of our Hutton Collection is its unique design flexibility. Every piece is modular, so you can create an office, media or storage solution that custom fits your life and style.

ONE SOLUTION, TWICE THE LOOK

Cabinets and hutches come with your choice of Antique Mirror or Natural Rattan panel inserts. Each panel insert reverses to white, giving you twice the designer look in an instant. With the Hutton Collection, you really are in charge of style.



Design the perfect solution for any space.



MEDIA & BOOKCASES

Hutton media and bookcase solutions are available in three versatile styles. Media credenzas include cable management for easy set-up and a clean, clutter-free look.

OFFICE

Hutton Desks are available in three styles, each built with your choice of cabinet bases. Build credenzas with up to five cabinets in any combination. Add optional hutches for as much open and closed vertical storage as you need.

CUSTOM STORAGE

Hutton components can be combined in countless combinations to create custom storage solutions for virtually any space and need. You'll find inspiring ideas and pictures on page 4 of this guide.

COMPONENTS

CABINET BASES

Cabinets are available in five styles. Mix and match up to five in any combination and top with a work surface to create a custom credenza. Available with Antique Mirror or Natural Rattan panel inserts. 29 $\frac{3}{4}$ "H x 16"W x 20"D •M0570



CABINET WITH DOOR



2-DRAWER CABINET



3-DRAWER CABINET



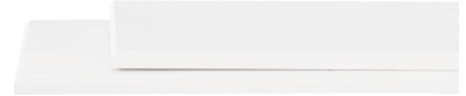
4-DRAWER CABINET



3-DRAWER CHARGING CABINET

WORK SURFACE

All cabinet styles have an open top and must be paired with a work surface. Select the surface length you need to fit your custom credenza. 1"H x 20 $\frac{1}{2}$ "D. •M0560



17" SURFACE - 1 Cabinet 16 $\frac{3}{4}$ "W
 32" SURFACE - 2 Cabinets 32"W
 48" SURFACE - 3 Cabinets 47 $\frac{1}{2}$ "W
 63" SURFACE - 4 Cabinets 63"W
 79" SURFACE - 5 Cabinets 78 $\frac{1}{4}$ "W

HUTCH

Hutches come in four styles to add vertical storage, open or concealed, for display above your custom credenza. Available with Antique Mirror or Natural Rattan panel inserts. All single hutches are 56 $\frac{3}{4}$ "H x 17"W x 17"D. All double hutches are 56 $\frac{3}{4}$ "H x 32 $\frac{1}{2}$ "W x 17"D.



All hutch styles have removable top molding, so you can stand them side-by-side for a seamless look.



SINGLE OPEN HUTCH
•M0564



SINGLE HUTCH WITH DOORS
Antique Mirror or Natural Rattan panel inserts
•M0571



DOUBLE OPEN HUTCH
•M0564



DOUBLE HUTCH WITH DOORS
Antique Mirror or Natural Rattan panel inserts
•M0571

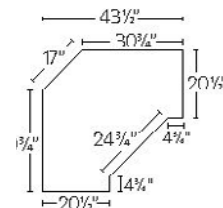


CORNER DESK ADDITION

With a full modesty panel finished on all sides, this desk addition can face the wall or out into your room. 29 $\frac{3}{4}$ "H x 24 $\frac{3}{4}$ "L x 30 $\frac{3}{4}$ "D •M0569



Corner Desk Addition must connect to other work surfaces. The reverse ogee edge allows cabinet to fit snugly.



LOW BOOKCASE

Bookcase includes a 48" work surface. 31"H x 47 $\frac{1}{2}$ "W x 20 $\frac{1}{2}$ "D •M0579
WIDE OPEN BASE Base only, work surface not included. •M0562



IDEAS & INSPIRATION



Low Bookcase



Corner Desk

Pictured here are some of our favorite Hutton office, media and storage solutions to inspire you. Use our planning tools online and on the following pages to plan and layout your perfect space.



Media Credenza with Open Hutch



TIP
Change your look – both Antique Mirror and Natural Rattan panel inserts reverse to white.

63" Credenza and Single Hutch with Doors



79" Credenza



32" Credenza and Double Open Hutch

FAVORITE COMBINATIONS

CABINET CREDENZAS

Building a custom cabinet credenza with Hutton is so easy. Just pick the size that fits your space and then choose your cabinet bases in any combination. All come with your choice of Antique Mirror or Natural Rattan panel inserts that reverse to white. Work surfaces included. All credenzas have the same height and depth. 31"H x 20½"D



17" CREDENZA
•M0566



32" CREDENZA
•M0567

TIP

Select any combination of cabinet bases to suit your storage needs.



48" CREDENZA
•M0572



63" CREDENZA
•M0573



79" CREDENZA
•M0574

MEDIA & BOOKCASE

Cabinets come with doors in your choice of Antique Mirror or Natural Rattan panel inserts that reverse to white. Bookcase includes cable management for easy set-up and a clean, clutter-free look.

TIP

Our favorite Hutton combinations include all the pieces you need to create the looks you see here.



MEDIA CONSOLE
31"H x 78¼"W x 20½"D
•M0580



MEDIA CONSOLE WITH OPEN HUTCH
87 ¾"H x 78¼"W x 20½"D
•M0581

FAVORITE COMBINATIONS

DESKS

All desks come with your choice of Antique Mirror or Natural Rattan panel inserts. All cabinets have the same height and depth. 31"H x 20½"D



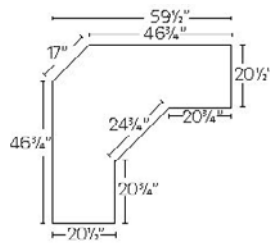
STANDARD DESK
31"H x 63"W x 20½"D
•M0576

TIP

Select any combination of cabinet bases to suit your storage needs.



CORNER DESK
31"H x 60¼"W x 32¾"D
•M0577

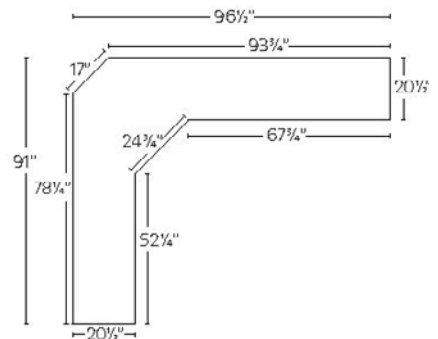


TIP

The Corner Desk can face the wall or your room using any combination of cabinets.



L - SHAPED DESK
31"H x 90¾"W x 20½"D
•M0578

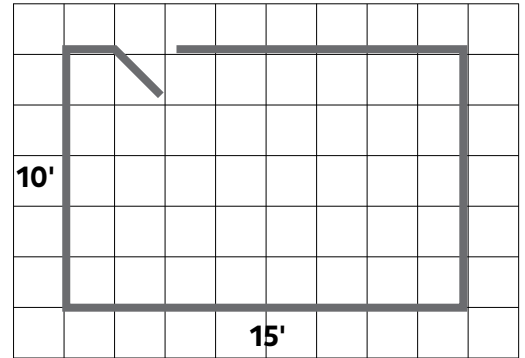


CREATE YOUR PLAN

1

MEASURE YOUR ROOM

You'll find graph paper on the next page to help you build your Hutton floorplan, or use our easy Online Room Planner at ballarddesigns.com/howtodecorate/ballard-designs-room-planner/



2

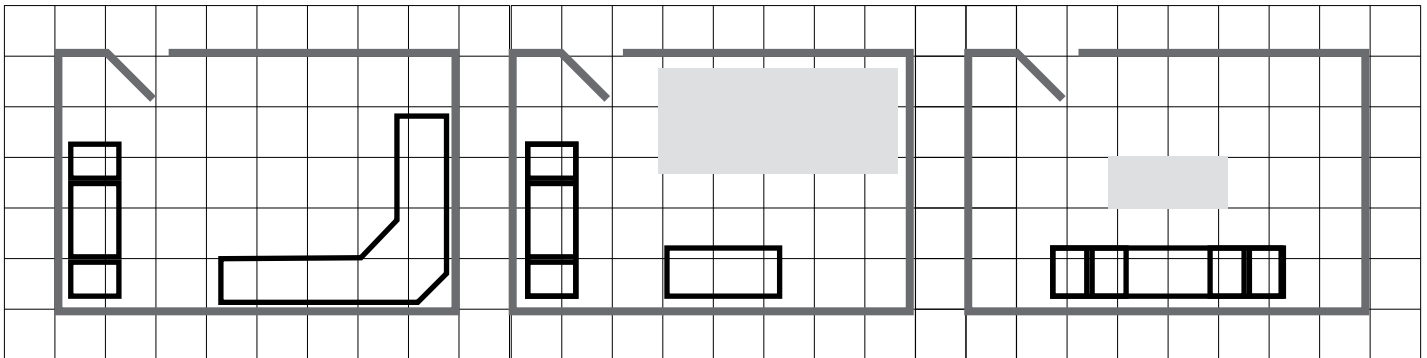
DESIGN YOUR SOLUTION

Begin with how you will use your space. As an office? For media? Storage? All of the above? Now use graph paper or our online tools to plan your room. We created a few solutions below for a typical 10' x 15' room, but with Hutton's unique design flexibility, the possibilities are endless.

IDEA #1: UPSTAIRS OFFICE

IDEA #2: KID'S BEDROOM

IDEA #3: FAMILY ROOM



3

PLACE YOUR FURNITURE

To build a complete office, media or storage solution with Hutton, start with your central piece (desk or credenza), and then layer in additional storage and display with hutches and bookcases to maximize your space.



PLAN YOUR SPACE

Use our online Room Planner at ballarddesigns.com/howtodecorate/ballard-designs-room-planner/

