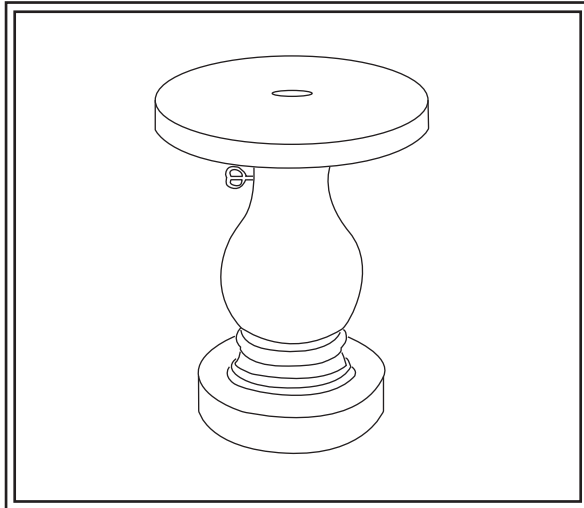
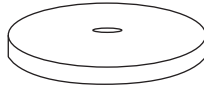




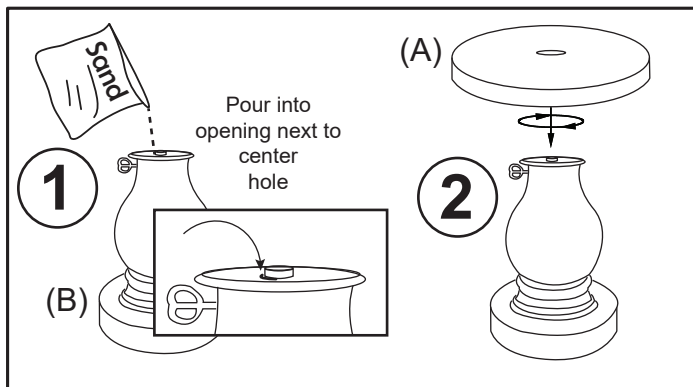


PRODUCT NAME: Baluster Umbrella Stand  
ITEM NUMBER: FO078  
ASSEMBLED DIMENSIONS : 28.5"H x 20" Diameter



### NO TOOLS REQUIRED

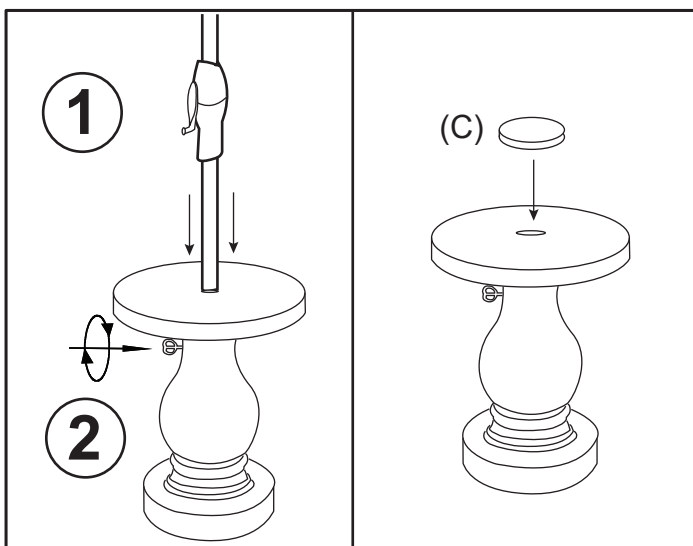
Ltr.	Qty.	Components Included
A	1	 Top
B	1	 Base (with metal key) <b>⚠ Fill Base with Sand (not included)</b> Holds up to 100 pounds of sand.
C	1	 Cap



**ASSEMBLY**

**STEP 1:** Fill Base (B) with sand (not included) by carefully pouring into Base through opening near center hole. **IMPORTANT:** Do not pour sand into center hole.

**STEP 2:** Align center of Top (A) with Base then turn clockwise until both pieces securely engage.



**FUNCTION**

**STEP 1:** Insert Umbrella (not included) into center hole and permit pipe to slide to bottom.

**STEP 2:** Turn and tighten Key on side of Base until umbrella pole is secure.

**CAP:** Place Cap (C) over center hole when Umbrella is not present.

**⚠ CAUTION ⚠**

- Handle with Care. Base is heavy.
- Close umbrella in windy conditions or storms.
- Do not leave umbrella unattended.
- Do not permit children to play on or with base.