



PRODUCT NAME: Ceylon Outdoor Side Chair

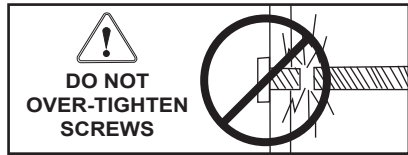
ITEM NUMBER: JC045

ASSEMBLED DIMENSIONS: 34"H x 20"W X 23"D



Prevent accidentally discarding small parts or hardware. Retain all carton contents until assembly and installation are complete.

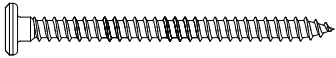
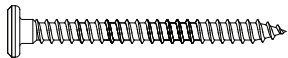


⚠ Assemble in location for intended use.

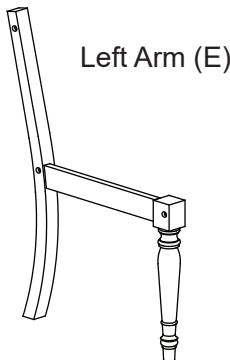
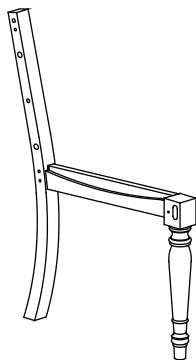
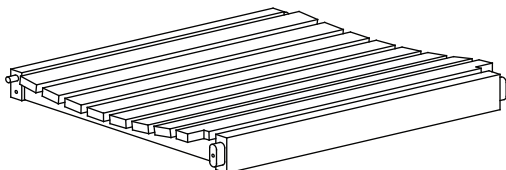
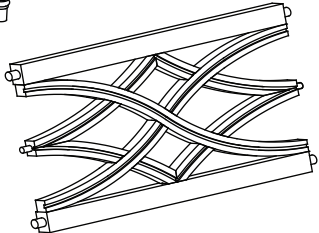
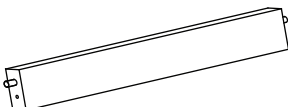
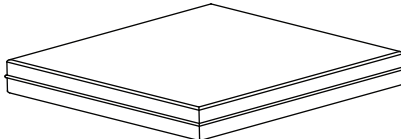


REQUIRED TOOLS:
Allen Wrench (included)

-Two person assembly suggested.

Remove all parts, hardware and protective packaging from carton and carefully arrange on a clean, level, padded surface.

Ltr.	Qty.	Hardware Included
A	8	 90mm Allen Screws
B	2	 60mm Allen Screws
C	6	 Screw Plugs
D	1	 Allen Wrench

Ltr.	Qty.	Components
E	1	 Left Arm (E)
F	1	 Right Arm (F)
G	1	 Seat (G)
H	1	 Back (H)
I	1	 Back Bar (I)
J	1	 Seat Cushion (J)



Cleaning and Care

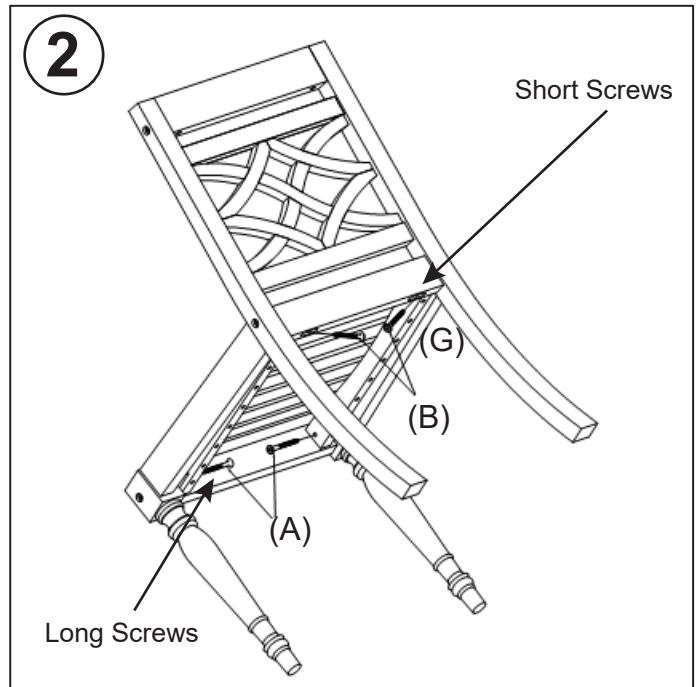
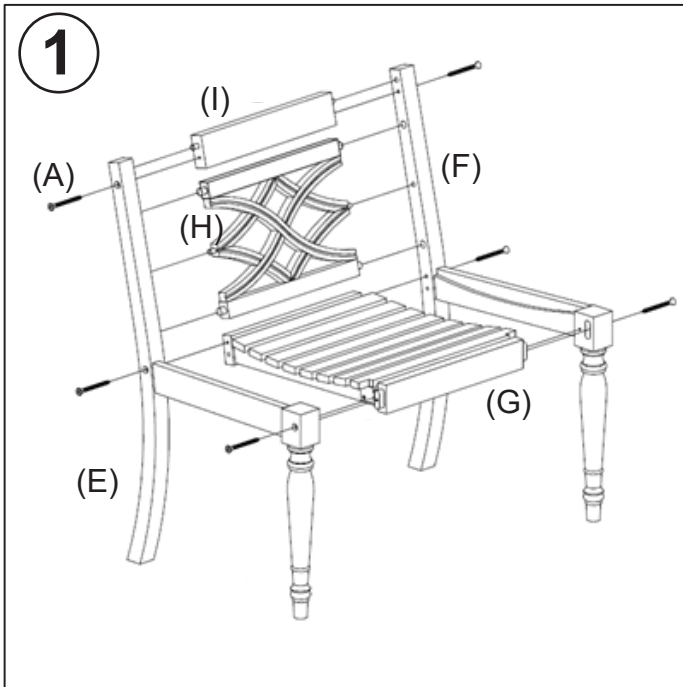
Occasionally wipe or hose down to remove dirt and debris.
Promptly remove spills.
Do not use harsh chemicals or abrasive cleaners.



Customer Service: 800-367-2810
Online: www.ballarddesigns.com

STEP 1: Attach Seat (G), Back (H) and Back Bar (I) to Left (E) and Right (F) Arms using 90mm Allen Screws (A). Be certain all Screws are in place before using Allen Wrench (d) to fully tighten each.

STEP 2: Secure Seat (G) by inserting 90mm Allen Screws (A) from bottom into holes closest to FRONT of Chair. Insert 60mm Allen Screws (B) into holes closest to BACK of Chair. Tighten with Allen Wrench.



STEP 3: Cover each Screw head by inserting a Wood Plug (C) into each hole.

STEP 4: Set Seat Cushion (J) onto Seat (G).

