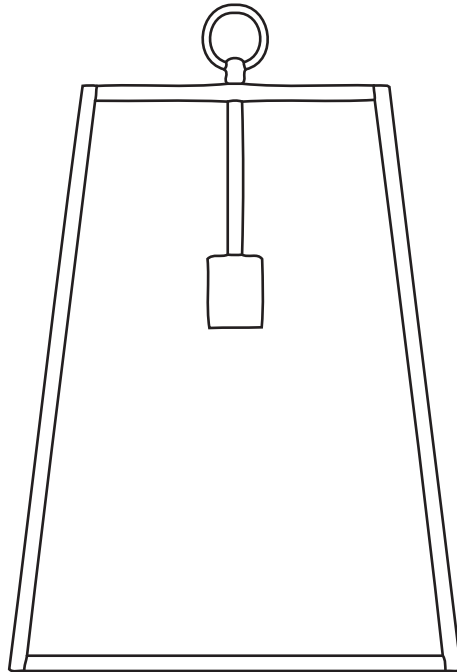




PRODUCT NAME: Eldridge Pendant SMALL
ITEM NUMBER: LC648
ASSEMBLED DIMENSIONS: 13"H x 8" Square



! IMPORTANT SAFETY INSTRUCTIONS:

- A licensed professional electrician should install direct wire fixtures.
- For your safety, please read instructions carefully and completely before beginning assembly or installation. If unsure, contact a licensed electrician.
- Fixture must be installed according to applicable code(s) by a person familiar with its construction and operation. If unsure, contact a licensed electrician.
- Fixture rated up to 60 Watt MAX Type A bulb (not included). LED bulb recommended.
- Prior to installation or removal of a previous fixture, disconnect power by turning off power at circuit breaker or removing fuse at electrical panel.

! WARNING:

- Deviation from assembly instructions may cause risk of fire or electric shock.
- To reduce risk of personal injury, always turn off fixture and allow bulbs to cool prior to replacement.
- Do not touch or look directly at illuminated bulbs.
- Keep flammable material away from illuminated bulbs.



Prior to installation or removal of a previous fixture, disconnect power by turning off circuit breaker or removing fuse at electrical panel.

Remove all parts, hardware and protective packaging from carton and carefully arrange on a clean, level surface.

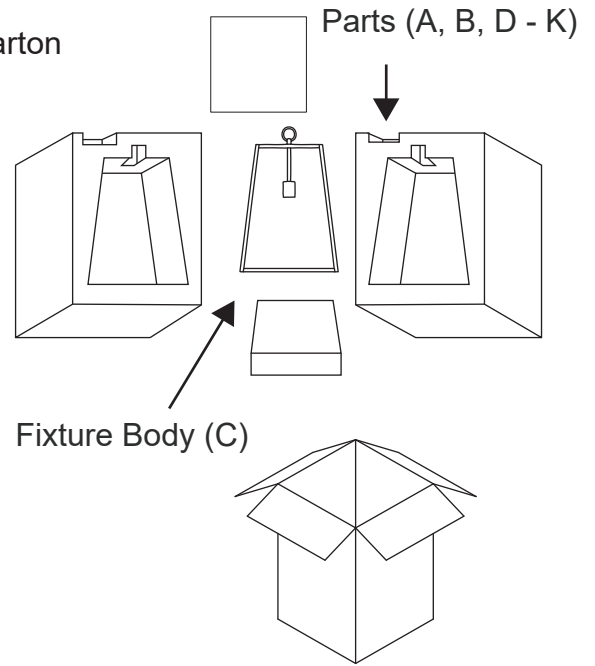
Prevent accidentally discarding small parts or hardware. Retain all carton contents until assembly and installation are complete.

Approved Location for Use: Damp* or Dry Environment
* protected from direct weather and not subjected to water saturation.

Assembly Time: 25 Minutes

People Required: 1 or more

Tools Required: Screwdriver, Wire Strippers, Wire Cutters, Electrical Tape



HARDWARE AND COMPONENTS

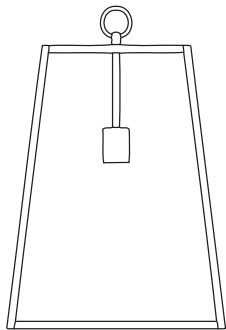
INCLUDED:



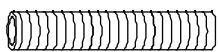
1- Canopy (A)



1- Chain (B)
with attached LOCK BUCKLES



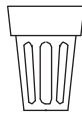
1- Fixture Body (C)



1- Nipple (D)



Mounting Screws (E)



3- Wire Connectors (F)

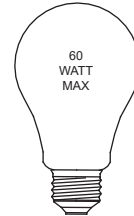


1- Collar (G)



Canopy Loop (H)

NOT INCLUDED:



1 - 60 Watt Max
Type A Bulb
*LED bulbs may be used.



1- Lock Washer (I)



1- Nut (J)



Mounting Bracket (K)



Cleaning and Care

Periodically wipe Fixture with a soft, dry cloth.
Avoid harsh or abrasive chemicals as
finish damage may result.



Customer Service: 800-367-2810
Online: www.ballarddesigns.com

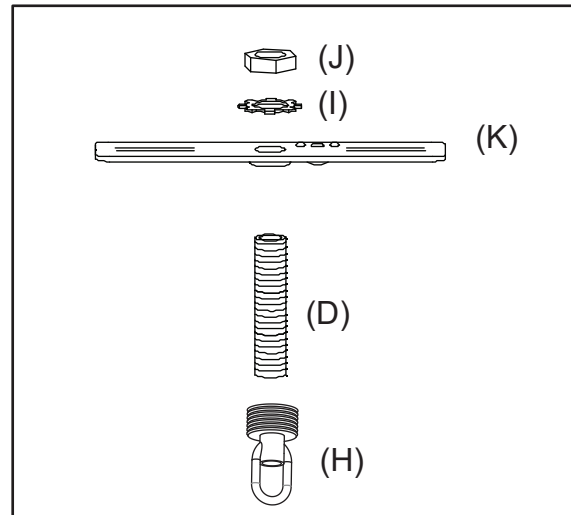


Prior to installation or removal of a previous fixture, disconnect power by turning off circuit breaker or removing fuse at electrical panel.

STEP 1: ASSEMBLE MOUNTING HARDWARE

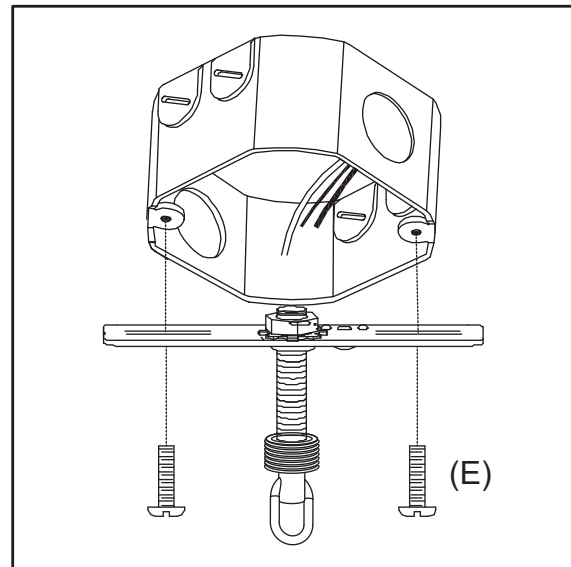
Attach Nipple (D) to Mounting Bracket (K) and use Nut (J) and Lock Washer (I) on one side to lock in place.

Thread Canopy Loop (H) onto longer end of Nipple.



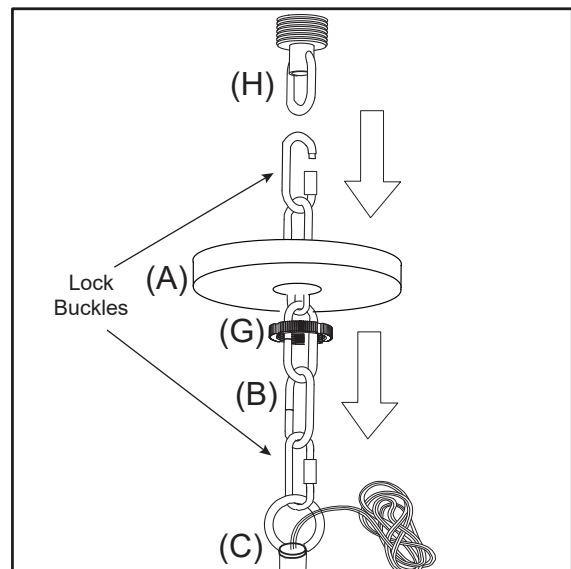
STEP 2: ATTACH MOUNTING HARDWARE

Attach Mounting Hardware to Junction Box using Mounting Screws (E). Use screwdriver to firmly tighten and secure.



STEP 3: ATTACH CHAIN / ADD HARDWARE

Determine drop measurement (ceiling to bottom of fixture) and adjust Chain (B) by adding/removing links. Open a Lock Buckle and attach one end to Loop on top of Fixture Body (C). Slide Collar (G), followed by Canopy (A) down Chain and allow rest on top of Fixture. Open remaining Lock Buckle on other end of Chain then lift and hang entire Fixture from Canopy Loop (H).



Customer Service: 800-367-2810

Online: www.ballarddesigns.com



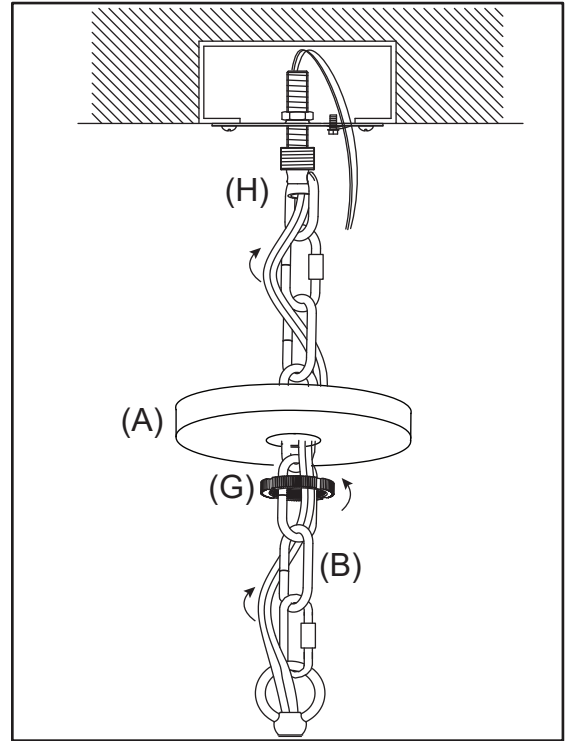
Prior to installation or removal of a previous fixture, disconnect power by turning off circuit breaker or removing fuse at electrical panel.

STEP 4: WEAVE CORD/WIRE

Gently thread wire through Collar (G) and Canopy (A) then weave through Chain (B) about every third link.

Next, carefully thread wire through hole in Canopy Loop (H) and pull into Junction Box and prepare for electrical connection in next step.

Permit wires to hang freely next to Chain.

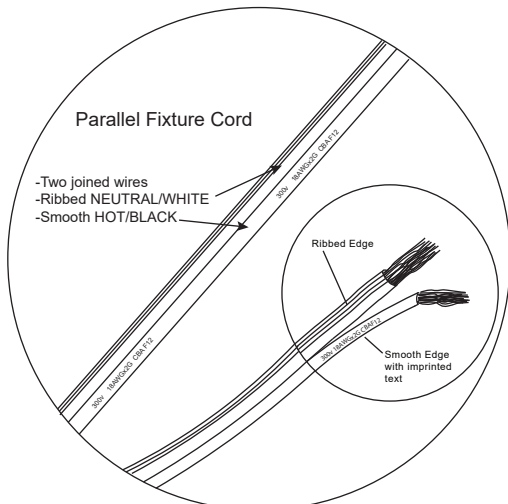
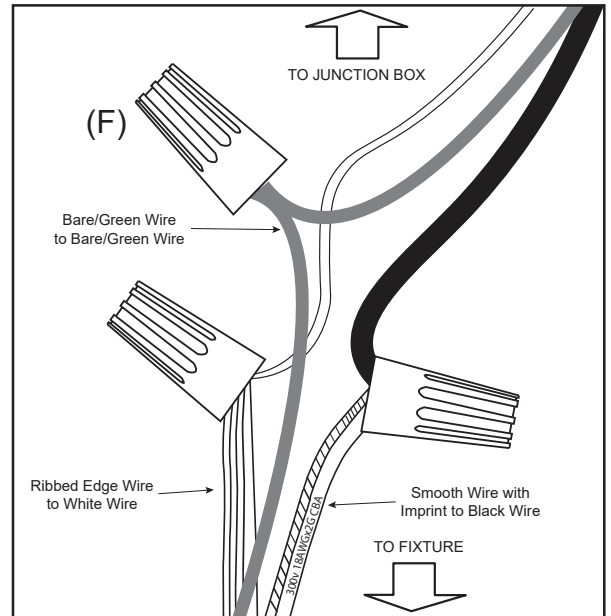


STEP 5: CONNECT ELECTRICAL

Trim wires leaving at least 6" to make electrical connection. Strip ends of 3/4" insulation. Attach bare (or green) ground wire from fixture to bare (or green) ground wire in junction box using Wire Connector (F). Wrap both around green ground screw on Mounting Bracket (#) and firmly tighten.

⚡ TO AVOID ELECTRICAL SHOCK, WIRE FOR CORRECT POLARITY: Connect wires BLACK (or smooth) to *BLACK. Connect wires WHITE (or ribbed along the edge) to WHITE. Firmly secure with Wire Connectors. SEE INSET BELOW:

* Black wire may be red in some installations.



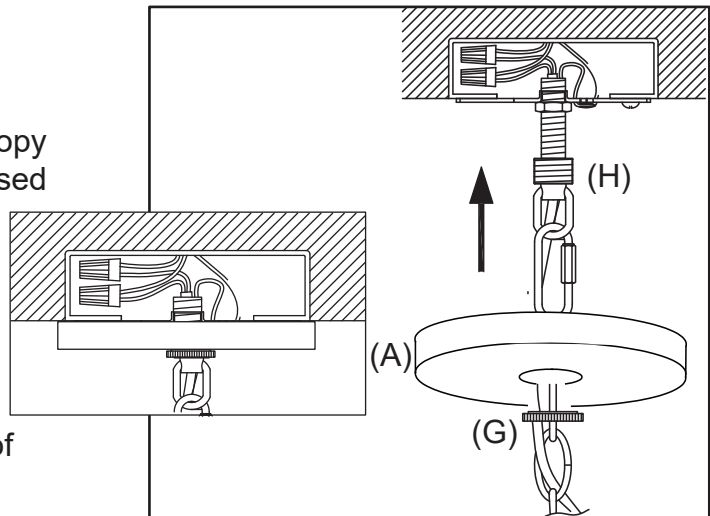
Customer Service: 800-367-2810
Online: www.ballarddesigns.com



Prior to installation or removal of a previous fixture, disconnect power by turning off circuit breaker or removing fuse at electrical panel.

STEP 6: COVER JUNCTION BOX

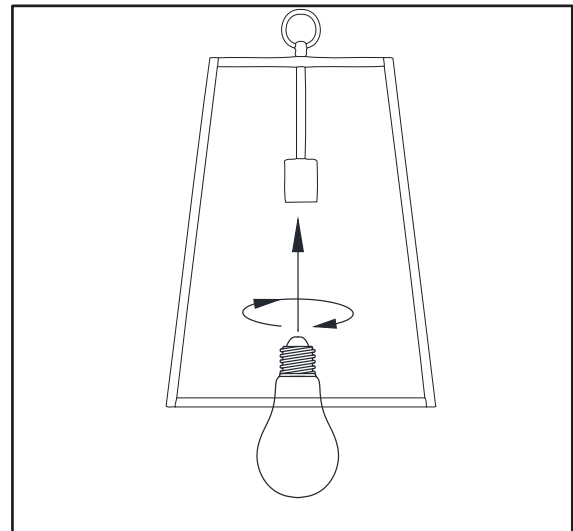
Slide Ceiling Canopy (A) over Junction Box followed by Collar (G). Thread Collar onto Canopy Loop (H) and tighten until Canopy is firmly pressed against ceiling.



STEP 7: INSTALL BULBS

Socket on this Fixture rated up to 60 Watt Maximum Type A Bulb.

*LED bulb recommended and permits a choice of brighter bulb without exceeding socket rating. To mimic the color of an incandescent, choose 2700K Soft White.



TIP

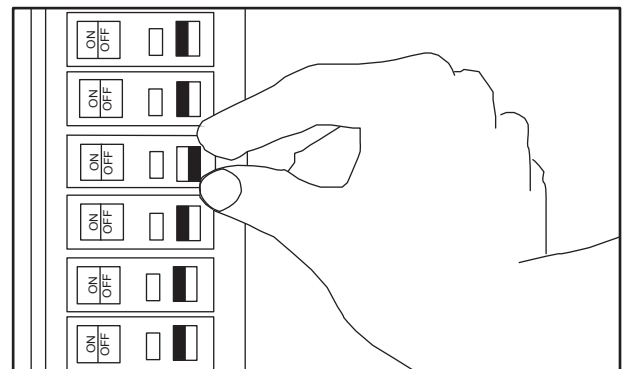
CONSIDER USING LED BULBS

Lower Energy Consumption
Minimal Heat / Longer Life / High Illumination

Light Output Lumens	Energy Consumption	
	LED Watts	Incandescent Watts
450	4-5	40
800	6-8	60
1,100	9-13	75
1,600	16-20	100
2,600	25-28	150

STEP 8:

Connect breaker and turn on Light.



Customer Service: 800-367-2810
Online: www.ballarddesigns.com