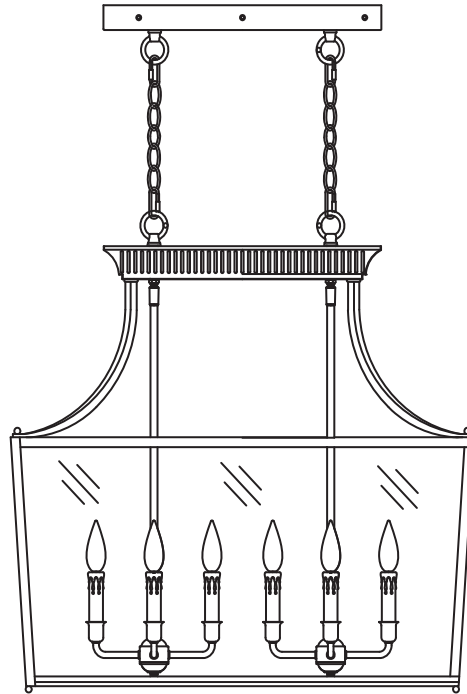


PRODUCT NAME: SHEFFIELD 8 LIGHT CHANDELIER
ITEM NUMBER: LC902
DIMENSIONS OF ITEM ASSEMBLED: 29"H x 15"W x 30" D



IMPORTANT SAFETY INSTRUCTIONS:

- A licensed professional electrician should install direct wire fixtures.
- For your safety, please read instructions carefully and completely before beginning assembly or installation.
- Fixture must be installed according to applicable code(s) by a person familiar with its construction and operation.
- Fixture rated up to 60 Watt MAX Type A incandescent bulbs (NOT Included). LED bulbs may be used.
- Prior to installation or removal of a previous fixture, disconnect power by turning off circuit breaker or removing fuse at electrical panel.

WARNING:

- Deviation from assembly instructions may cause risk of fire or electric shock.
- To reduce risk of personal injury, always turn off fixture and allow bulbs to cool prior to replacement.
- Do not touch or look directly at illuminated bulbs.
- Keep flammable material away from illuminated bulbs.

Remove all parts, hardware and protective packaging from carton and carefully arrange on a clean, level surface.

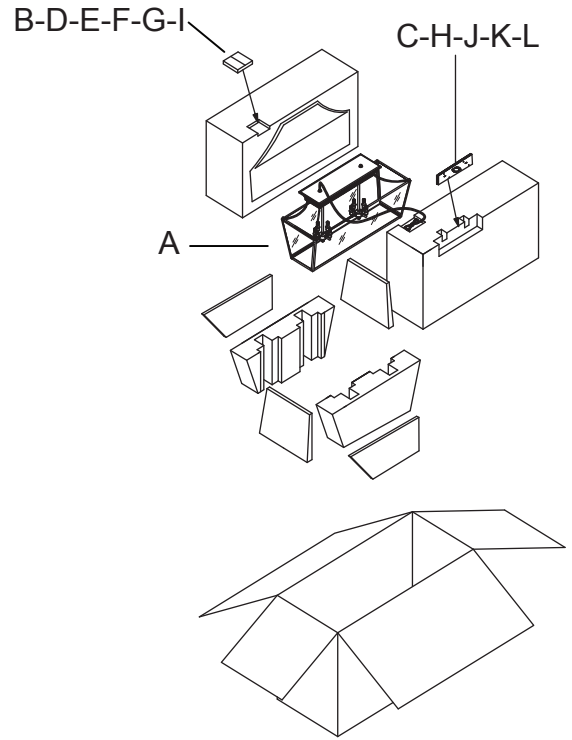
NOTE: To avoid accidentally discarding small parts or hardware, retain all carton contents until after assembly and installation are complete.

Recommended Location for Use: Dry Indoor Environment

Assembly Time: 30 Minutes

People Required: 2

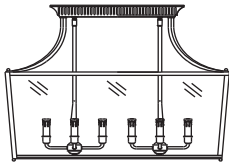
Tools Required: Screwdriver, Wire Strippers, Chain Pliers, Pencil, Wire Cutters, Electrical Tape, Power Drill, 15/64" Drill Bit



PARTS

Check to make sure you have the following:

INCLUDED:



1- Fixture Body (A)



4- Plastic Anchors (G)



2- Chain (B)



6- Canopy Screws (H)



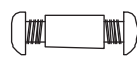
2- "S" Hooks (C)



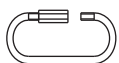
4- Ceiling Screws (I)



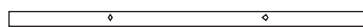
3- Wire Connectors (D)



1- Cable Lock (J)



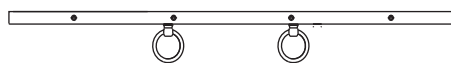
4- Lock Buckles (E)



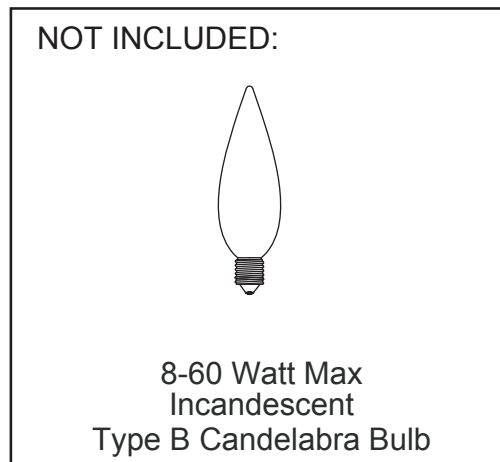
1- Canopy Mount (K)



2- Mounting Screws (F)



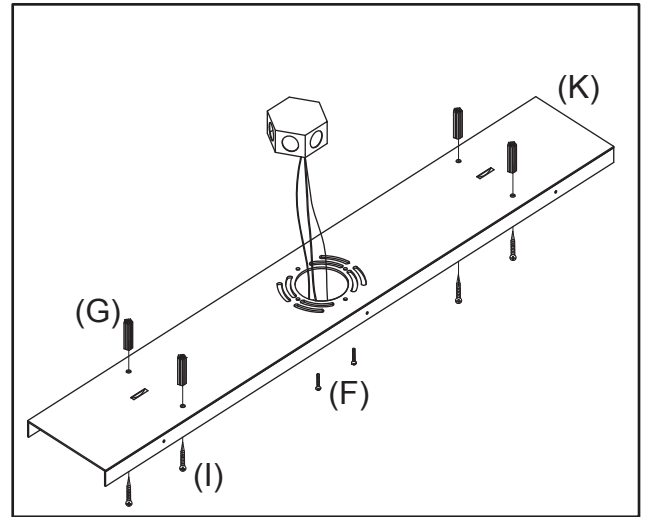
1- Canopy (L)



NOTE: Prior to installation or removal of a previous fixture, disconnect power by turning off circuit breaker or removing fuse at electrical panel.

STEP 1: INSTALL CANOPY MOUNT

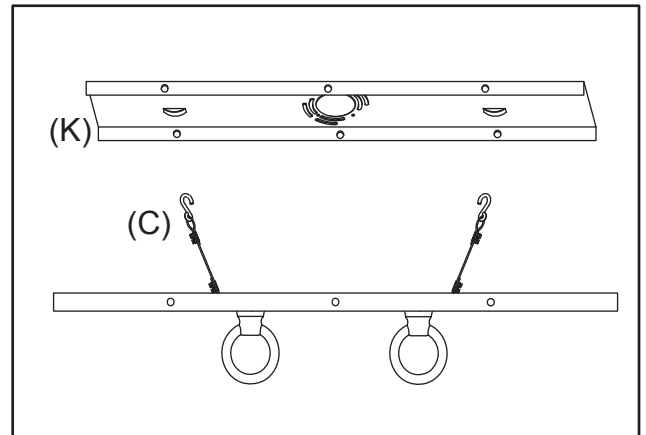
Center the Canopy Mount (K) over Junction Box and orient as desired. Mark the 4 hole locations in ceiling with pencil. Remove Canopy Mount (K) and drill 15/64" pilot holes at marks on ceiling. Gently tap Plastic Anchors (G) into holes until flush. Return Canopy Mount (K) to ceiling and pull supply wires from Junction Box through center opening. Orient Canopy Mount (K) and secure to Junction Box with Mounting Screws (F). Finally, firmly install Ceiling Screws (I) through Canopy Mount (K) into Plastic Anchors (G).



NOTE: Adjust tightness of Ceiling Screws to insure Canopy Mount is flush with ceiling.

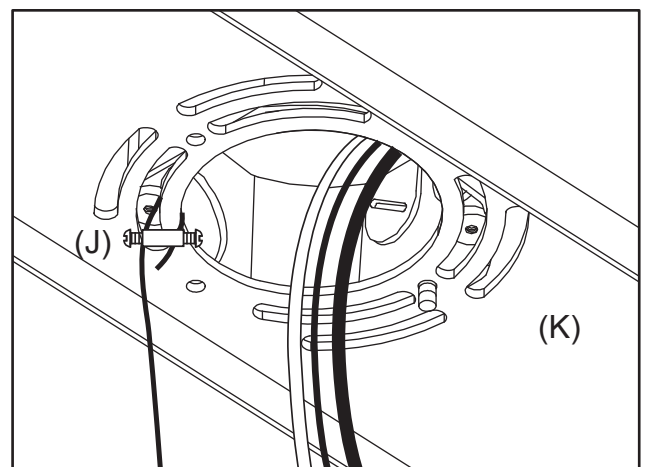
STEP 2: INSTALL CANOPY

Lift Canopy (L) to the Canopy Mount (K) and hook the pre-attached "S" hooks (C) to loops in the Canopy Mount (K).



STEP 3: ATTACH SAFETY CABLE

For extra security, use Cable Lock (J) to further secure fixture to ceiling. Thread silver safety cable through one hole in Cable Lock (J) then loop it through Canopy Mount (M) and back through other hole in Cable Lock (J) as shown. Firmly tighten screws on each end of Cable Lock (J) and pull to be certain they are secure. Use heavy-duty wire cutters to remove excess cable.

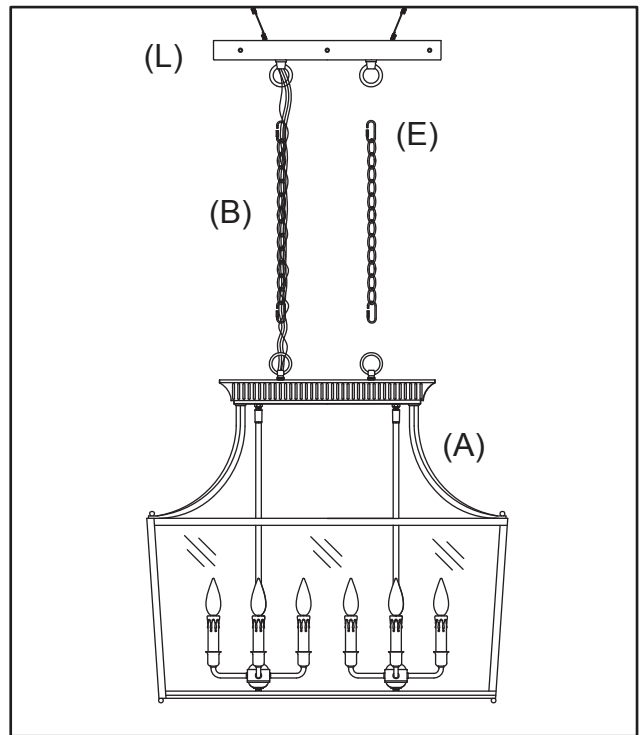


NOTE: Prior to installation or removal of a previous fixture, disconnect power by turning off circuit breaker or removing fuse at electrical panel.

STEP 4: HANG FIXTURE

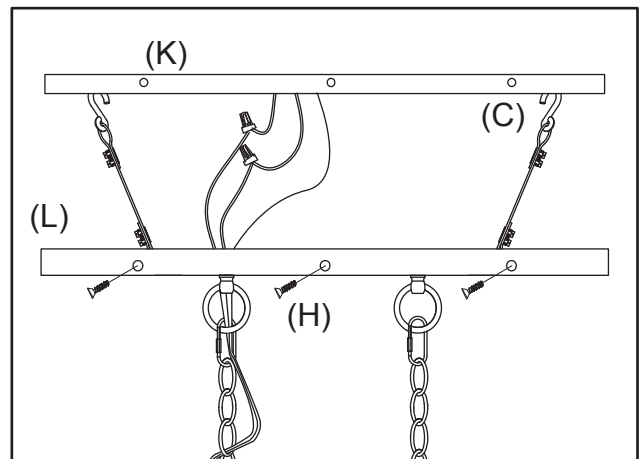
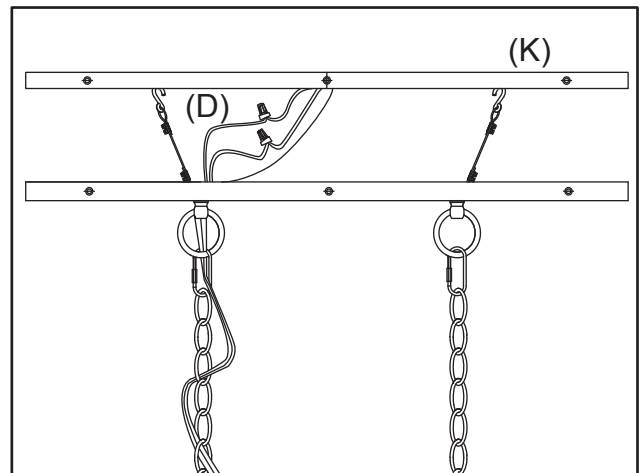
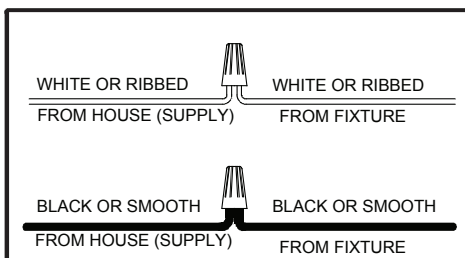
If needed, adjust length of Chains (B) by using pliers to remove links. Using Lock Buckle (E), attach one end of Chain to canopy loop (L) and the other end to Fixture Body loop (A). Gently thread cord and ground wire through chain (about every third link). Thread cord through center hole in Canopy Loop (L). Permit cords to hang freely next to fixture.

NOTE: To prevent risk of fire or electrical shock, be certain cord is LONGER than chain. Fixture weight must be supported by chain. DO NOT hang fixture by cord.



STEP 5: CONNECT ELECTRICAL

Trim wires to desired length and strip ends of 1/2" insulation. using a wire connector (L), attach bare ground wire from fixture to bare ground wire in junction box. Wrap both around green ground screw on mounting bracket (M) and firmly tighten. The parallel cord attached to fixture is composed of two wires, one smooth and the other ribbed along the edge. The smooth wire connects to black wire in junction box and ribbed to white wire. Firmly secure each with wire connector (L). NOTE: Black supply wire inside junction box may be smooth. White supply wire inside junction box may be ribbed. (See inset illustration)



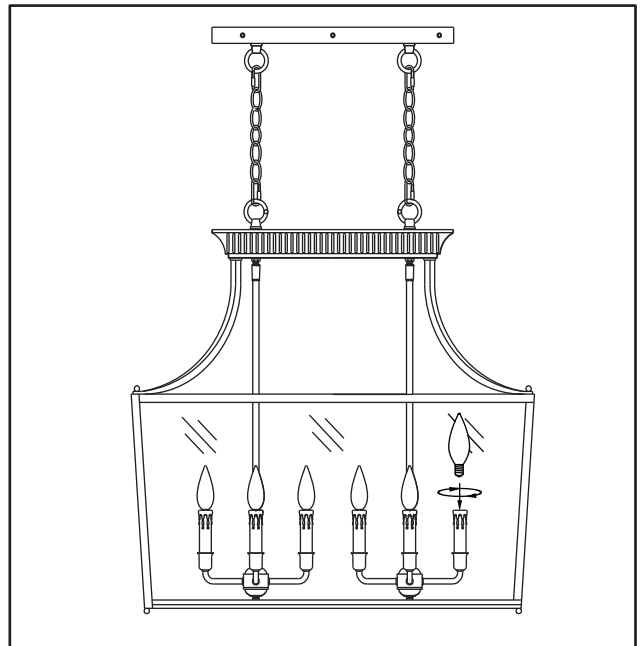
STEP 6:

Gently tuck excess wire and connectors into junction box through opening in Canopy Mount (K). Lift Canopy (L) over Canopy Mount (K) and secure with 6 Canopy Screws (H). NOTE: TO AVOID RISK OF FIRE OR ELECTRICAL SHOCK, DO NOT PINCH OR CRIMP ANY WIRES AS YOU ATTACH CANOPY.

NOTE: Prior to installation or removal of a previous fixture, disconnect power by turning off circuit breaker or removing fuse at electrical panel.

STEP 7: INSTALL BULBS (not included)

Sockets rated up to 60 Watt MAX Type A Incandescent Bulbs. LED bulbs are encouraged. Consider 450 to 600 lumens, 2700K Warm or Soft White)



Cleaning & Care:

To clean, wipe the Fixture with a soft, dry cloth.
Avoid the use of harsh or abrasive chemicals as they may damage the finish

BENT CANDLES? Turn off power and simply slide candle sleeve up and off socket. Gently bend and straighten socket and replace sleeve.