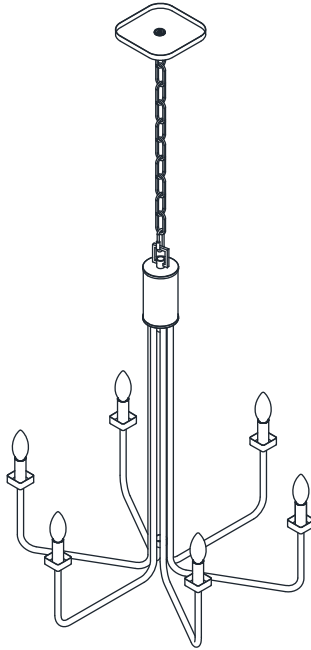


PRODUCT NAME: Bria 6 Light Chandelier
ITEM NUMBER: LC978
DIMENSIONS OF ITEM ASSEMBLED: 31.5" H x 24.5" DIA



IMPORTANT SAFETY INSTRUCTIONS:

- We strongly recommend that a professional electrician install all direct wire fixtures.
- These Assembly Instructions are provided for your safety. It is important that they are read carefully and completely before assembling this Fixture.
- This product must be installed with the applicable installation code by a person familiar with the construction and operation of the product.
- This Fixture has been rated for up to 60 Watt MAX Type B Candelabra Bulb (NOT Included).
- Before starting installation of this Fixture or the removal of a previous Fixture, disconnect the power by turning off the circuit breaker or removing the fuse from the fuse box.

WARNING:

- Deviation from the Assembly Instructions may result in a risk of fire or electric shock.
- To reduce risk of fire, electrical shock, or personal injury, always turn off Fixture and allow it to cool prior to replacing the bulb.
- Do not touch the bulb when the Fixture is turned on. Do not look directly at the lit bulb.
- Keep flammable material away from the lit bulb.

NOTE: Remove all parts and hardware from the box along with any plastic protective packaging and carefully lay all the parts out on a clean, flat surface.

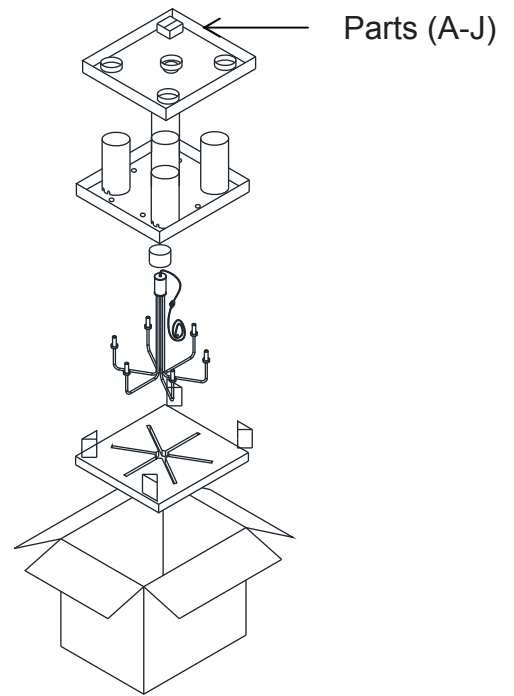
DO NOT discard any contents until after assembly and installation is complete to avoid accidentally discarding small parts or hardware.

Recommended Location for Use: Dry Indoor Environment

Assembly Time: 20 Minutes

People Required: one or more people

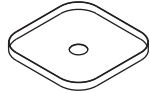
Tools Required: Screwdriver, Wire Strippers,
Wire Cutters, Electrical Tape



PARTS

Check to make sure you have the following:

INCLUDED:



1- Canopy (A)



1- Mounting Bar (F)



2- Mounting Screws (B)



1- Chain (G)



3- Wire Connectors (C)



2- Hex Nuts (H)



1- Nipple (D)



2- Lock Washers (I)



1- Canopy Loop (E)

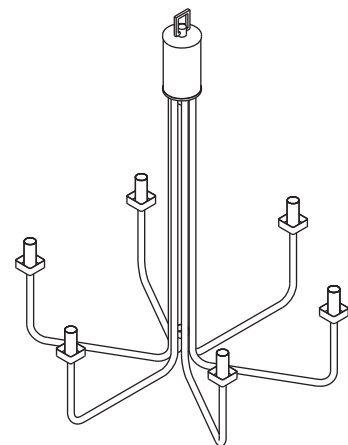


1- Collar (J)

NOT INCLUDED:



6- 60 Watt Max
Type B Candelabra Bulb

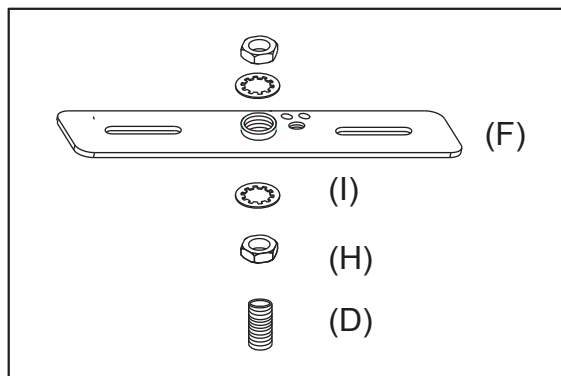


1- Fixture Body (K)

NOTE: Before starting installation of this Fixture or the removal of a previous Fixture, disconnect the power by turning off the circuit breaker or removing the fuse from the fuse box.

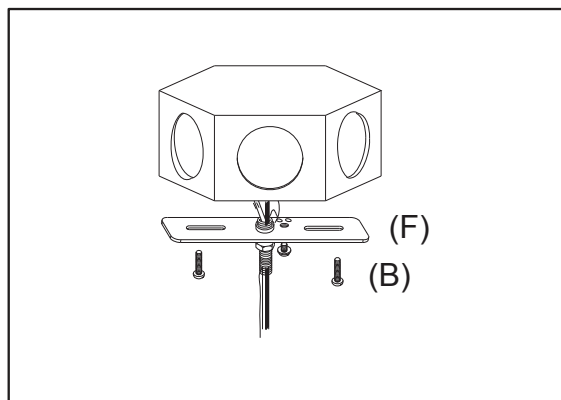
STEP 1:

Attach the Nipple (D) to the Mounting Bar (F) by screwing in the Nipple through a Hex Nut (H) and Lock Washer (I). Lock the Nipple into place on the opposite side using the second Lock Washer and Nut.



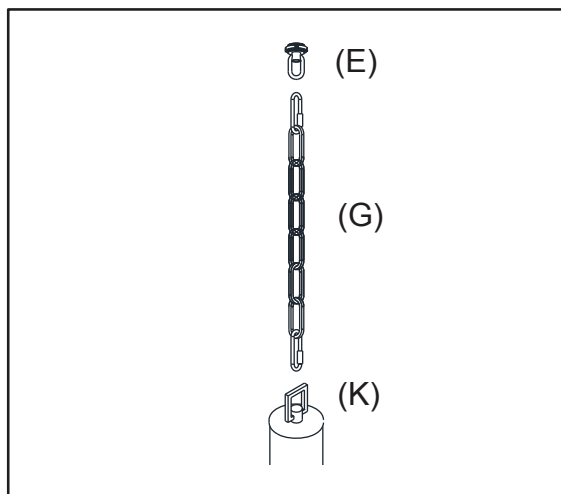
STEP 2:

Make sure all electrical power is turned off. Then secure the Mounting Bar (F) to the Outlet Box with the Mounting Screws (B). Tighten until snug.



STEP 3:

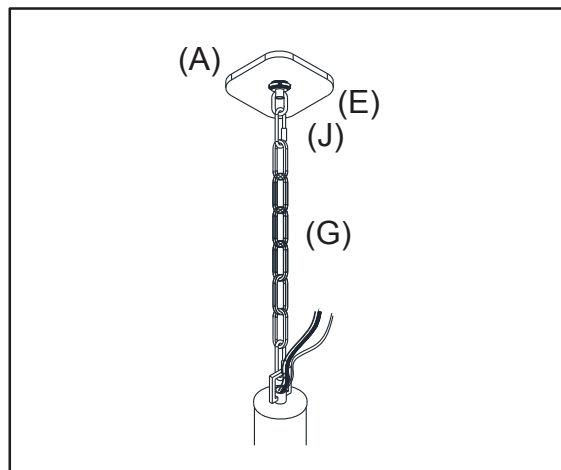
Attach one end of the Chain (G) to the Canopy Loop (E) and attach the other end of the Chain onto the fixture loop at the top of the Fixture Body (K). Adjust the Chain to your desired length by removing the links if needed. You may need chain pliers.



STEP 4:

Weave the Fixture Wire and Ground Wire through the Chain (G) about every third link, and then through the Canopy Loop (E), Collar (J), and Canopy (A).

NOTE: The weight of the Fixture must be taken by the Chain. When adjusting the Cords, make sure the Cords are longer than the Chain.

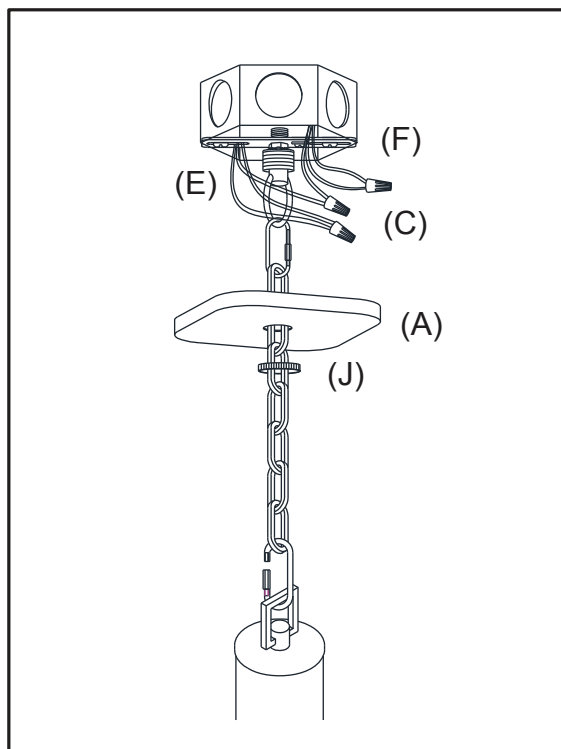
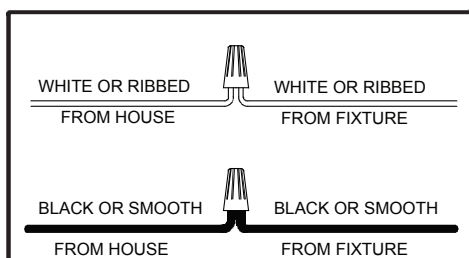


NOTE: Before starting installation of this Fixture or the removal of a previous Fixture, disconnect the power by turning off the circuit breaker or removing the fuse from the fuse box.

STEP 5:

Wrap the Ground Wire from the Fixture around the Ground Screw on the Mounting Bar (F). Attach the Power Supply Wires to the Fixture Wires by connecting Black to Black (or Smooth) and White to White (or Ribbed). Cover the connections using the Wire Connectors (C) .

NOTE: Black Wire inside the Outlet Box may be smooth. White Wire inside the Outlet Box may be ribbed.



STEP 6:

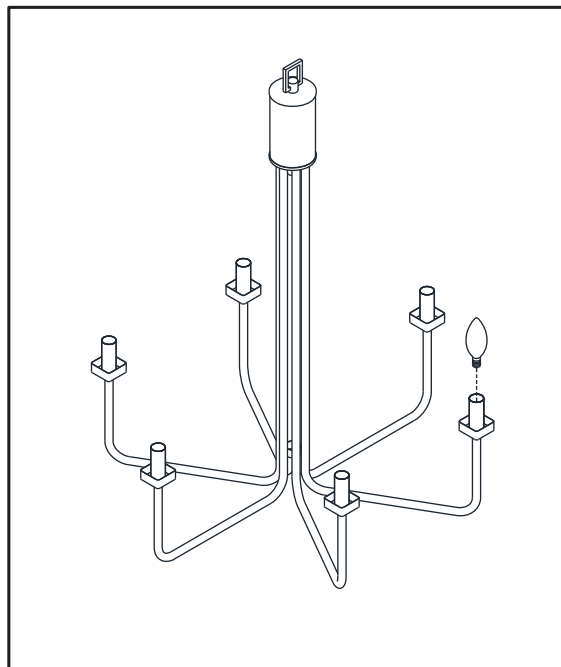
Slide Ceiling Canopy (A) over the Outlet Box and screw into place by tightening the Collar (J) onto the Canopy Loop (E).

STEP 9:

Screw in the Bulbs. This Fixture has been rated for up to 60 Watt MAX Type B Candelabra Bulbs. (Not Included)

STEP 10:

Connect breaker and turn on Light.



Cleaning & Care:

To clean, wipe the Fixture with a soft, dry cloth. Avoid the use of harsh or abrasive chemicals as they may damage the finish