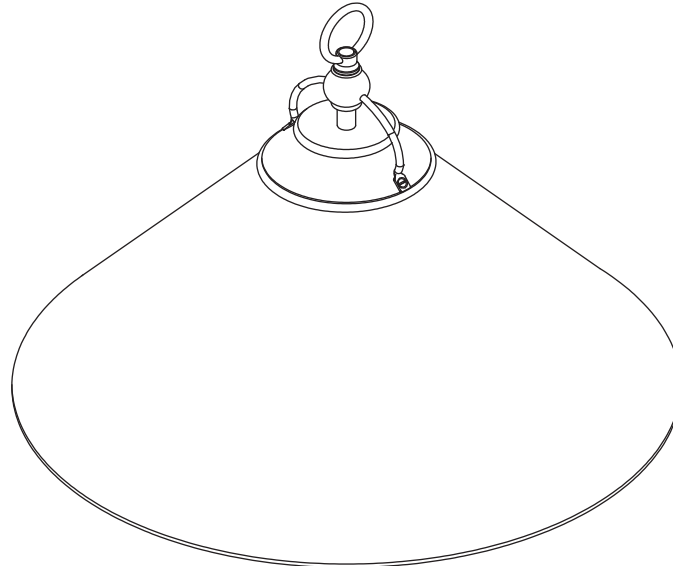




PRODUCT NAME: Ada Enamel Pendant

ITEM NUMBER: LD011

ASSEMBLED DIMENSIONS: 13.3" H x 18" Diameter (small)  
14.48"H x 24" Diameter (large)



## IMPORTANT SAFETY INSTRUCTIONS:

---

- A licensed professional electrician should install direct wire fixtures.
- For your safety, please read instructions carefully and completely before beginning assembly or installation. If unsure, contact a licensed electrician.
- Fixture must be installed according to applicable code(s) by a person familiar with its construction and operation. If unsure, contact a licensed electrician.
- Fixture rated up to 60 Watt MAX Type A bulb (NOT included). LED bulb recommended.
- Prior to installation or removal of a previous fixture, disconnect power by turning off circuit breaker or removing fuse at electrical panel.

## WARNING:

---

- Deviation from assembly instructions may create risk of fire or electric shock.
- To reduce risk of personal injury, always turn off fixture and allow bulbs to cool prior to replacement.
- Do not touch or look directly at illuminated bulbs.
- Keep flammable material away from illuminated bulbs.

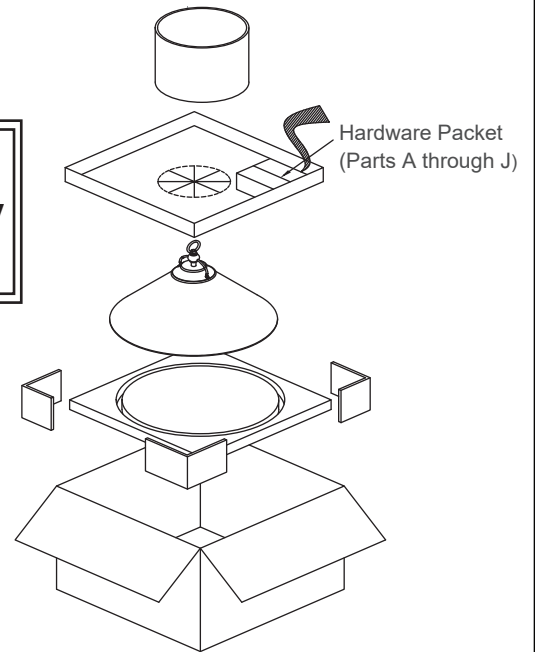


**Prior to installation or removal of a previous fixture, disconnect power by turning off circuit breaker or removing fuse at electrical panel.**

Remove all parts, hardware and protective packaging from carton and carefully arrange on a clean, level surface.



**Prevent accidentally discarding small parts or hardware. Retain all carton contents until assembly and installation are complete.**



**Approved Location for Use: Dry Indoor Environment**

Assembly Time: 20 Minutes

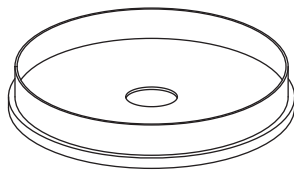
People Required: One or more

Tools Required: Screwdriver, Wire Strippers, Wire Cutters, Electrical Tape

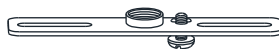
**PARTS**

Check to make sure you have the following:

**INCLUDED:**



1-Canopy (A)



1-Mounting Bar (F)



2-Mounting screws (B)



1 - Chain w/ 2 Lock Buckles (G)



3-Wire connectors (C)



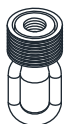
2- Lock washers (H)



1-Nipple (D)



2- Hex nuts (I)



1-Canopy loop (E)

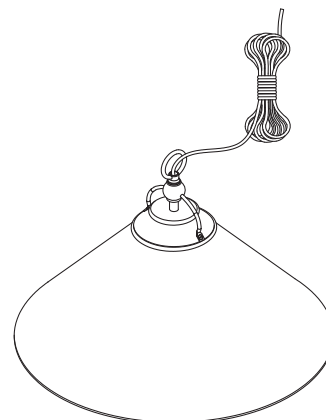


1-Collar (J)

**NOT INCLUDED:**



1 - 60 Watt Max  
Type A Bulb  
\*LED bulb recommended



1-Fixture body (K)



Customer Service: 800-367-2810  
Online: [www.ballarddesigns.com](http://www.ballarddesigns.com)



**Cleaning and Care**

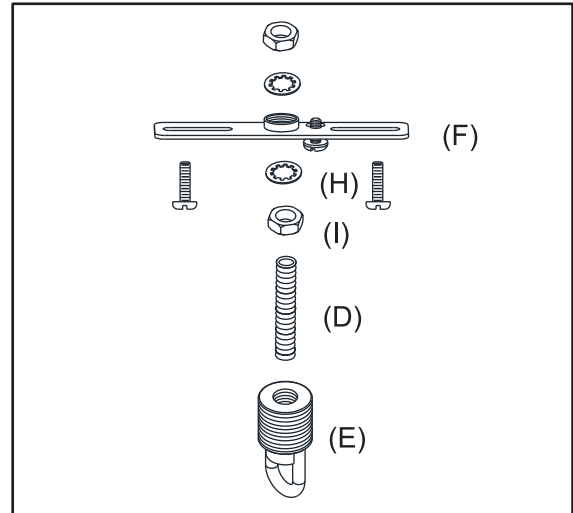
Periodically wipe Fixture with a soft, dry cloth.  
Avoid harsh or abrasive chemicals as  
finish damage may result.



**Prior to installation or removal of a previous fixture, disconnect power by turning off circuit breaker or removing fuse at electrical panel.**

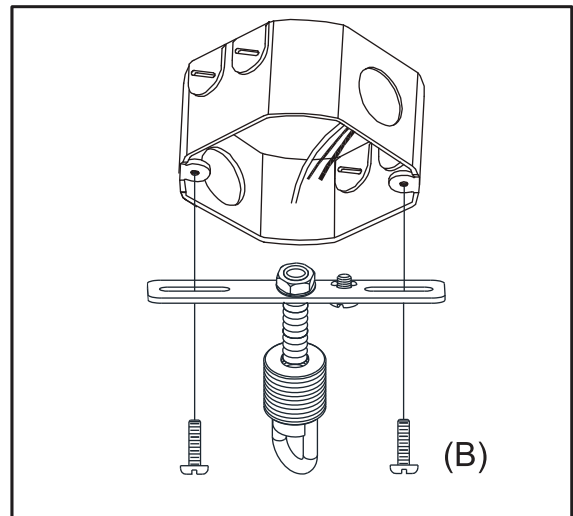
### STEP 1: ASSEMBLE MOUNTING HARDWARE

Mounting Hardware typically ships assembled, however, should assembly be required thread Nipple (D) into center hole in Mounting Bar (F) then add one Lock Washer (H) and Hex Nut (I) to each side of Mounting Bar and firmly tighten. Finally, thread Canopy Loop (E) onto end of Nipple.



### STEP 2: ATTACH MOUNTING HARDWARE

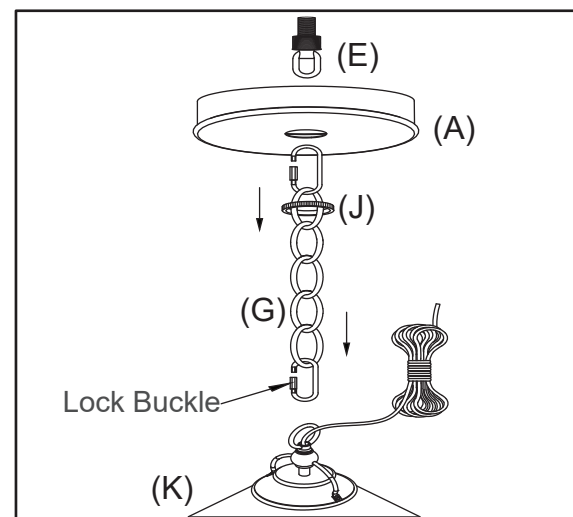
Attach Mounting Hardware to Junction Box using Mounting Screws (B). Use screwdriver to firmly tighten and secure.



### STEP 3: ATTACH CHAIN / ADD HARDWARE

Determine drop measurement (ceiling to bottom of fixture) and adjust Chain (G) by adding/removing links.

Open Lock Buckle and attach one end to Loop on top of Fixture Body (K). Slide Collar (J) down Chain followed by Canopy (A) and allow both to rest upon Fixture. Open Lock Buckle on other end of Chain then lift and hang entire Fixture from Canopy Loop (E).



Customer Service: 800-367-2810  
Online: [www.ballarddesigns.com](http://www.ballarddesigns.com)



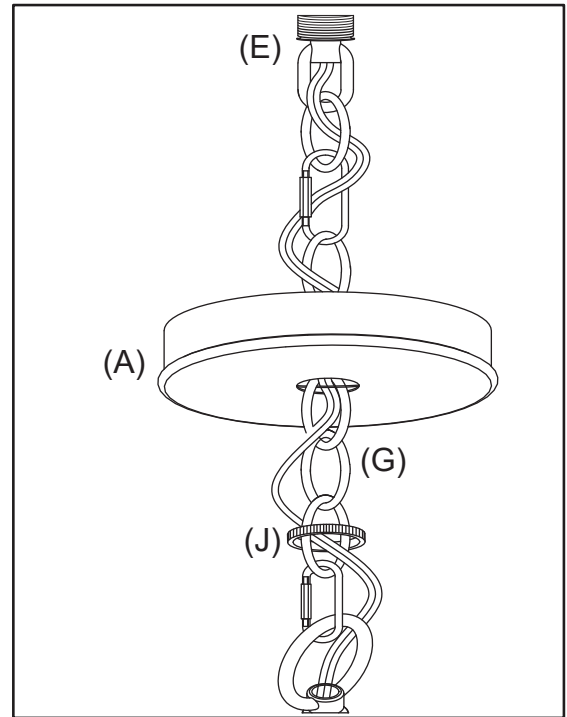
**Prior to installation or removal of a previous fixture, disconnect power by turning off circuit breaker or removing fuse at electrical panel.**

#### STEP 4: WEAVE CORD/WIRE

Gently thread wire through Collar (J) and Canopy (A) then weave through Chain (G) about every third link.

Next, carefully thread wire through hole in Canopy Loop (E) and pull into Junction Box and prepare for electrical connection in next step.

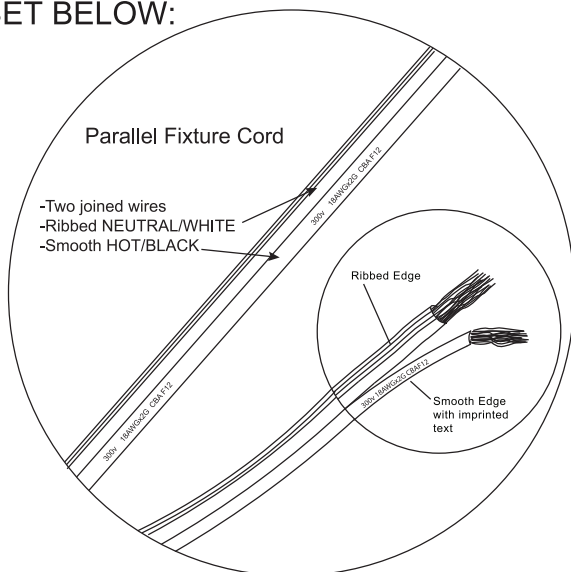
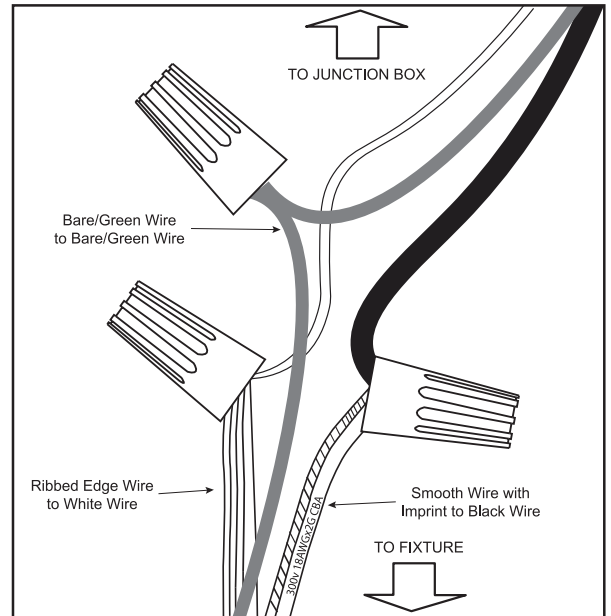
Permit wires to hang freely next to Chain.



#### STEP 5: CONNECT ELECTRICAL

Trim wires leaving at least 12" to make electrical connection. Strip ends of 1/2" insulation. Attach bare (or green) ground wire from fixture to bare (or green) ground wire in junction box using Wire Connector (C). Wrap both around green ground screw on Mounting Bar (F) and firmly tighten.

**⚡ TO AVOID ELECTRICAL SHOCK, WIRE FOR CORRECT POLARITY:** Connect wires BLACK (or smooth) to BLACK. Connect wires WHITE (or ribbed along the edge) to WHITE. Firmly secure with Wire Connectors. SEE INSET BELOW:



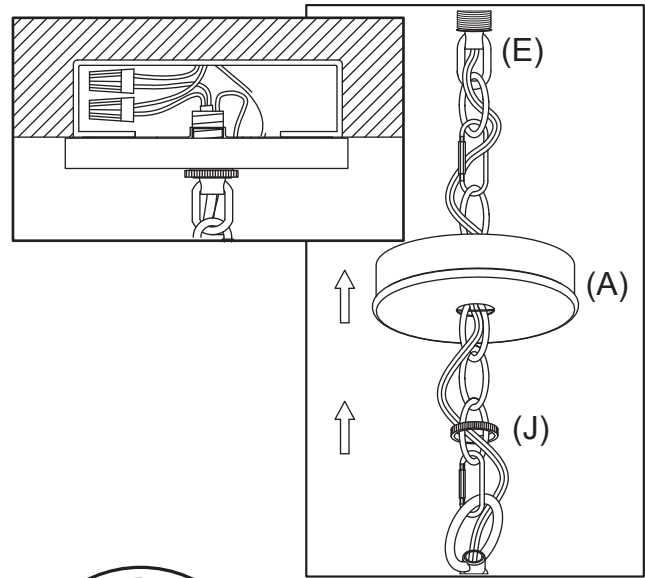
Customer Service: 800-367-2810  
Online: [www.ballarddesigns.com](http://www.ballarddesigns.com)



**Prior to installation or removal of a previous fixture, disconnect power by turning off circuit breaker or removing fuse at electrical panel.**

**STEP 6: COVER JUNCTION BOX**

Slide Ceiling Canopy (A) over Junction Box followed by Collar (J). Thread Collar onto Canopy Loop (E) and tighten until Canopy is firmly pressed against ceiling.



**STEP 7: INSTALL BULB**

**SOCKET RATING: 60W MAX Type A Bulb**

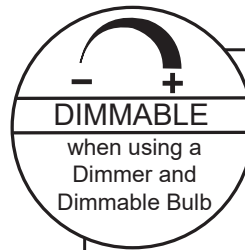
\*LED bulbs permit a brighter bulb without exceeding socket rating. (Scan QR Code below for details)

LUMENS (lm): Light output (brightness)

KELVIN (K): Light color. (orange/golden/white/blue)

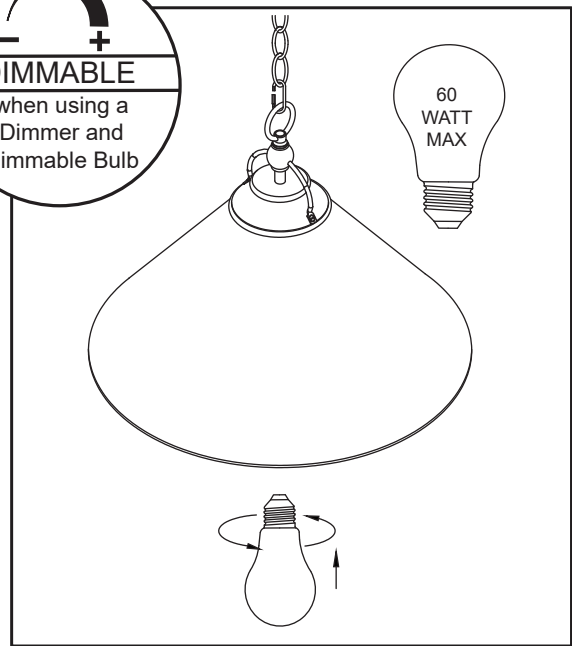
Kelvin Range: 1800K (orange) to 6000K (white)

To mimic the color of an incandescent bulb, choose 2700K (Soft White).



**DIMMABLE**

when using a Dimmer and Dimmable Bulb

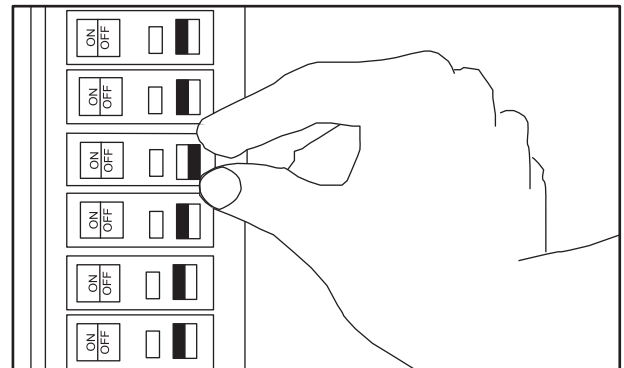


**TIP**

Scan this QR Code to learn more regarding LED BULBS and how to best use them with your new fixture!

**STEP 8:**

Connect breaker and turn on Light.



Customer Service: 800-367-2810  
Online: [www.ballarddesigns.com](http://www.ballarddesigns.com)