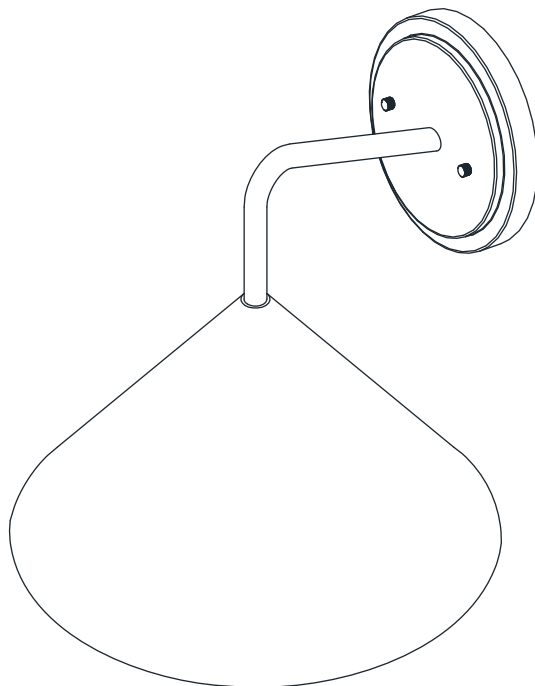


PRODUCT NAME: Owen Outdoor Sconce
ITEM NUMBER: LO471
ASSEMBLED DIMENSIONS: 9.7"H x 10.6"W x 11.7"D



IMPORTANT SAFETY INSTRUCTIONS:

- A licensed professional electrician should install direct wire fixtures.
- For your safety, please read instructions carefully and completely before beginning assembly or installation.
- Fixture must be installed according to applicable code(s) by a person familiar with its construction and operation.
- Fixture rated up to 60 Watt MAX Type A INCANDESCENT bulb (not included). LED bulb may be used.
- Prior to installation or removal of a previous fixture, disconnect power by turning off power at circuit breaker or removing fuse at electrical panel.

WARNING:

- Deviation from assembly instructions may cause risk of fire or electric shock.
- To reduce risk of personal injury, always turn off fixture and allow bulbs to cool prior to replacement.
- Do not touch or look directly at illuminated bulbs.
- Keep flammable material away from illuminated bulbs.

Remove all parts, hardware and protective packaging from carton and carefully arrange on a clean, level surface.

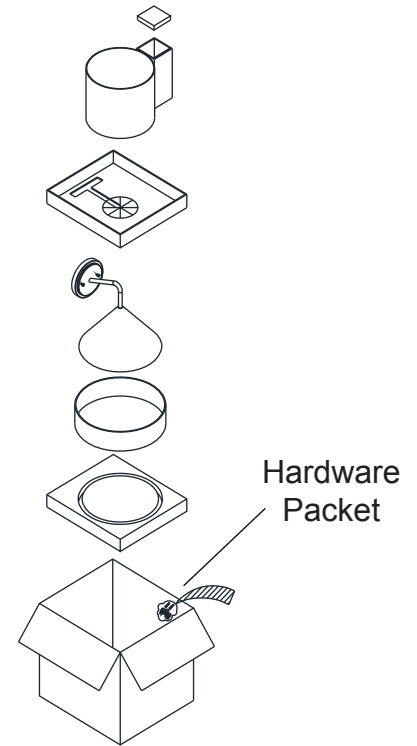
NOTE: To avoid accidentally discarding small parts or hardware, retain all carton contents until after assembly and installation are complete.

Recommended Location for Use: Outdoor/Wet Environment

Assembly Time: 15 minutes

People Required: 1 or more

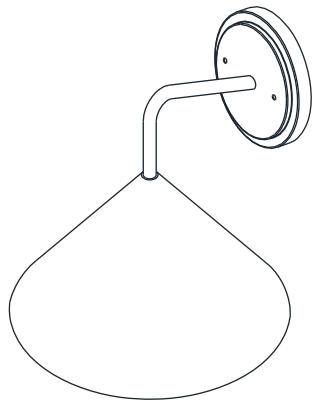
Tools Required: Screwdriver, Electrical Tape, Wire Strippers, Wire Cutters, Pliers



PARTS

Check to make sure you have the following:

INCLUDED:



1- Fixture Body (A)



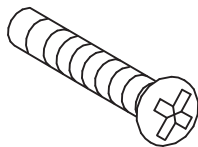
2 - Cap Nuts (C)



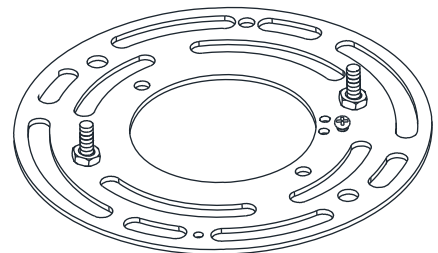
3 - Wire Connectors (D)



2- Rubber Rings (B)

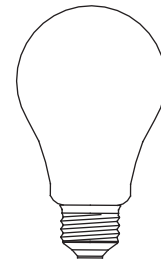


2 - Mounting Screws (E)



1 - Mounting Bracket (F)

NOT INCLUDED:

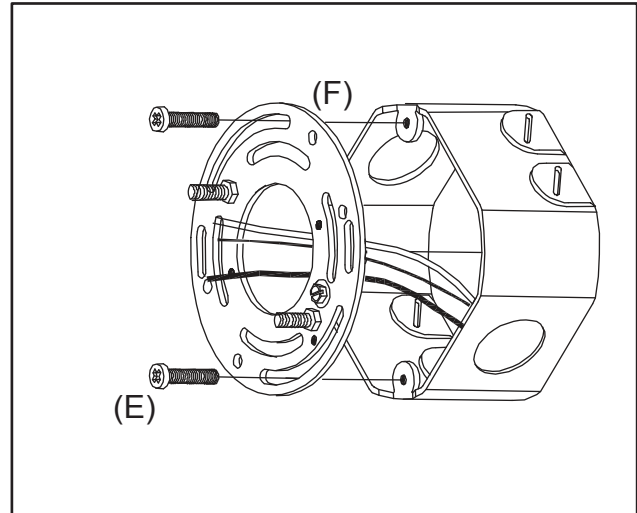


1 - 60 Watt MAX Incandescent
Type A Bulb
*LED may be used.

NOTE: Prior to installation or removal of a previous fixture, disconnect power by turning off circuit breaker or removing fuse at electrical panel.

STEP 1: INSTALL MOUNTING HARDWARE

Attach Mounting Bracket (F) to Junction Box using Mounting Screws (E).

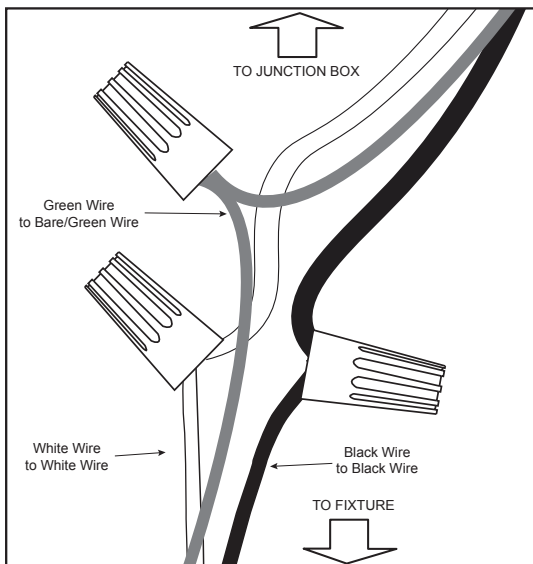
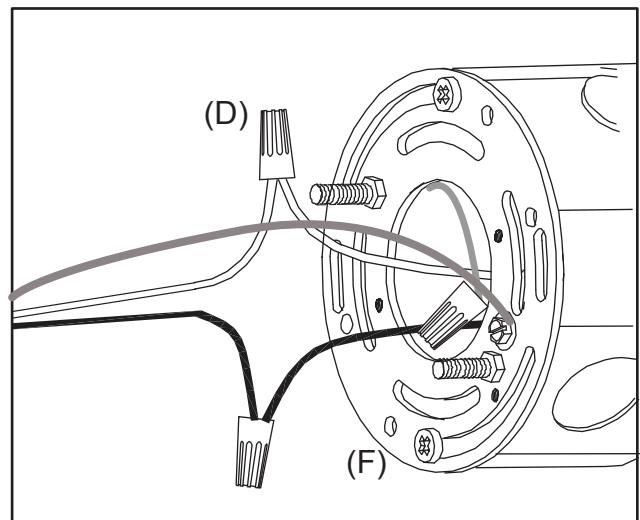


STEP 2: CONNECT ELECTRICAL

If necessary, strip wire ends of 1/2" of insulation then attach bare (or green) ground wire from Fixture to bare (or green) ground wire from Junction Box and attach using Wire Connector (D). Wrap both around Green Ground Screw on Mounting Bracket (F) and firmly tighten.

TO AVOID ELECTRICAL SHOCK, WIRE FOR CORRECT POLARITY:

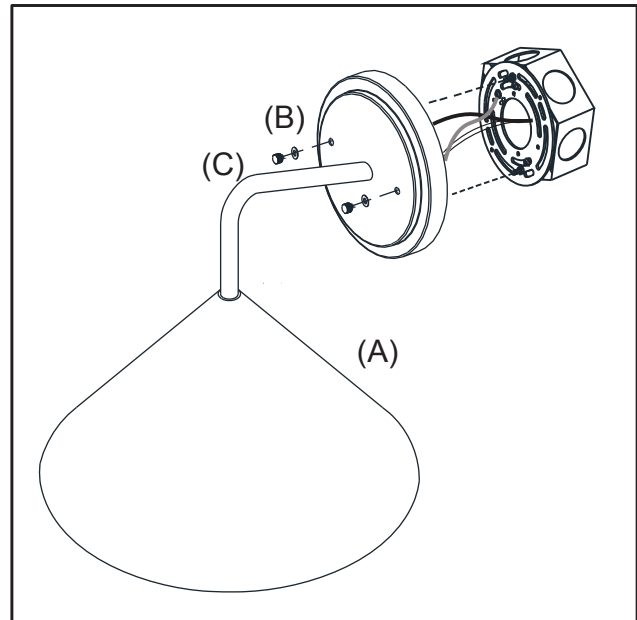
Connect BLACK (or smooth) wires to BLACK. Connect WHITE (or ribbed along the edge) wires to WHITE. Firmly secure all connections with a Wire Connector (D).



NOTE: Prior to installation or removal of a previous fixture, disconnect power by turning off circuit breaker or removing fuse at electrical panel.


STEP 3: ATTACH FIXTURE

Gently lift fixture toward wall while carefully tucking wires into Fixture. Align holes in Fixture Body (A) with threaded studs on Mounting Bracket and slide over and against wall. Add Rubber Washer (B) followed by Cap Nut (C). Tighten until fixture is secured.



STEP 4: INSTALL BULB

Fixture socket is rated up to a 60 WATT MAX incandescent bulb. *LED bulbs may be used and permit a choice of brighter bulb without exceeding socket rating. To mimic the color of an incandescent, choose 2700K Soft White.

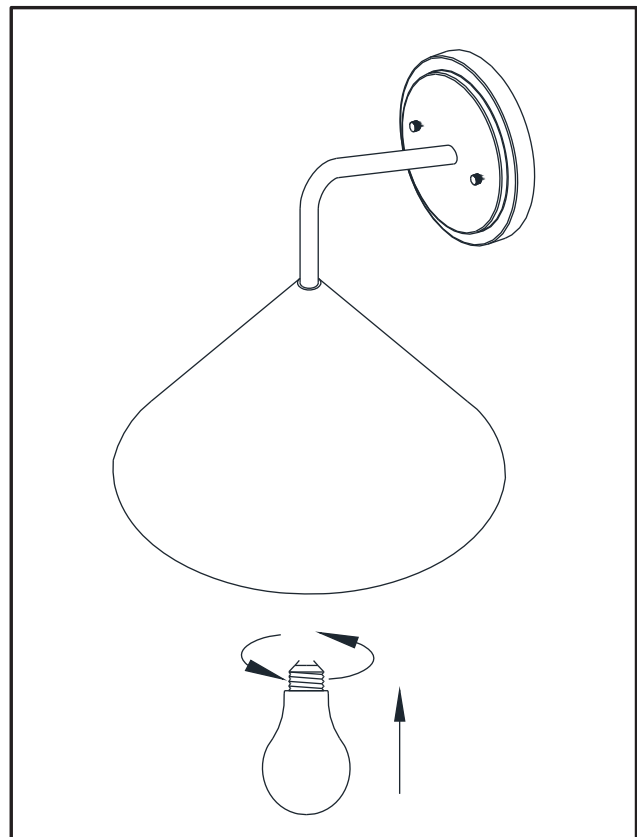


TIP

CONSIDER USING LED BULBS

Lower Energy Consumption
Minimal Heat / Longer Life / High Illumination

Light Output Lumens	Energy Consumption	
	LED Watts	Incandescent Watts
450	4-5	40
800	6-8	60
1,100	9-13	75
1,600	16-20	100
2,600	25-28	150



Cleaning and Care

To clean, wipe Fixture with a soft, dry cloth. Avoid use of harsh or abrasive chemicals as they may damage the finish.