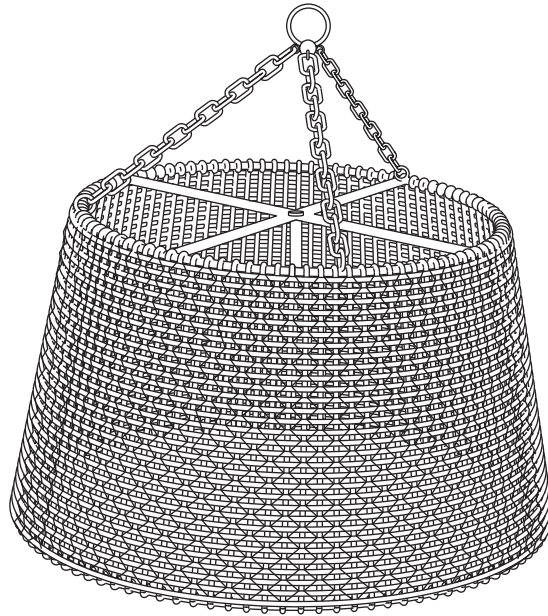




PRODUCT NAME: Poppy Woven Drum Pendant  
ITEM NUMBER: LR094  
ASSEMBLED DIMENSIONS: 28"H x 30" Diameter



## **!** IMPORTANT SAFETY INSTRUCTIONS:

---

- A licensed professional electrician should install direct wire fixtures.
- For your safety, please read instructions carefully and completely before beginning assembly or installation. If unsure, contact a licensed electrician.
- Fixture must be installed according to applicable code(s) by a person familiar with its construction and operation. If unsure, contact a licensed electrician.
- Fixture rated up to 60 Watt MAX Type B bulbs (not included). LED bulbs recommended.
- Prior to installation or removal of a previous fixture, disconnect power by turning off power at circuit breaker or removing fuse at electrical panel.

## **!** WARNING:

---

- Deviation from assembly instructions may cause risk of fire or electric shock.
- To reduce risk of personal injury, always turn off fixture and allow bulbs to cool prior to replacement.
- Do not touch or look directly at illuminated bulbs.
- Keep flammable material away from illuminated bulbs.



**Prior to installation or removal of a previous fixture, disconnect power by turning off circuit breaker or removing fuse at electrical panel.**

Remove all parts, hardware and protective packaging from carton and carefully arrange on a clean, level surface.



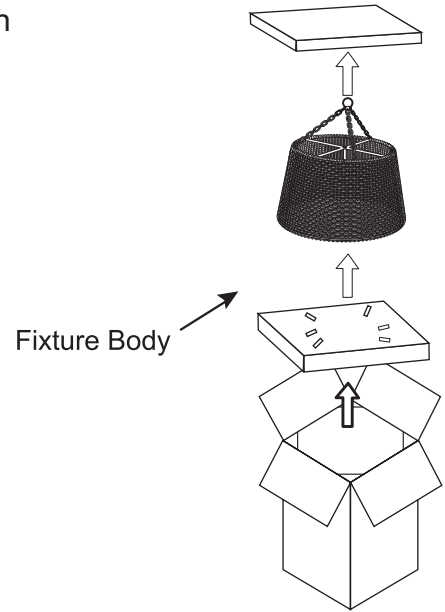
**Prevent accidentally discarding small parts or hardware. Retain all carton contents until assembly and installation are complete.**

Approved Location for Use: Dry/Indoor Environment

Assembly Time: 25 Minutes

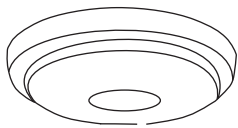
People Required: 2

Tools Required: Screwdriver, Wire Strippers, Wire Cutters, Electrical Tape



## HARDWARE AND COMPONENTS

### INCLUDED:



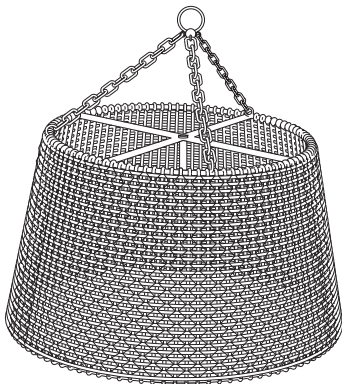
1 - Canopy (A)



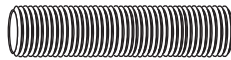
2 - Lock Buckles (B)



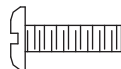
1 - Chain (C)



1 - Fixture Body (D)



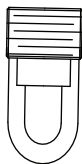
1 - Nipple (E)



2 - Mounting Screws (F)



3 - Wire Connectors (G)



1 - Canopy Loop (H)

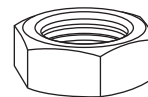
### NOT INCLUDED:



6 - 60 Watt Max  
Type B Candelabra Bulbs  
\*LED bulbs may be used.



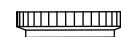
1 - Lock Washer (I)



1 - Hex Nut (J)



1 - Mounting Bracket (K)



1 - Collar (L)

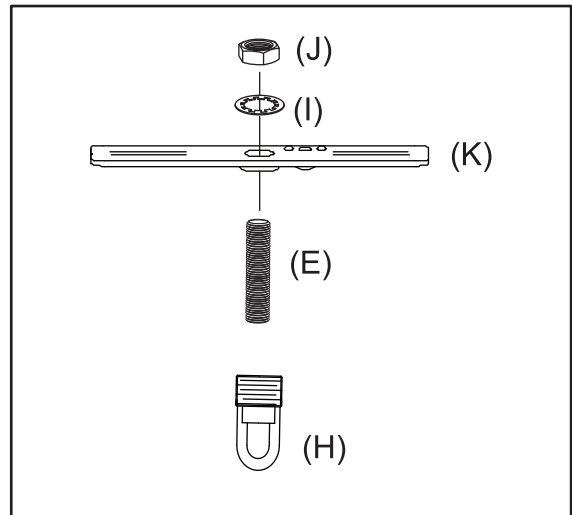


**Prior to installation or removal of a previous fixture, disconnect power by turning off circuit breaker or removing fuse at electrical panel.**

### STEP 1: ASSEMBLE MOUNTING HARDWARE

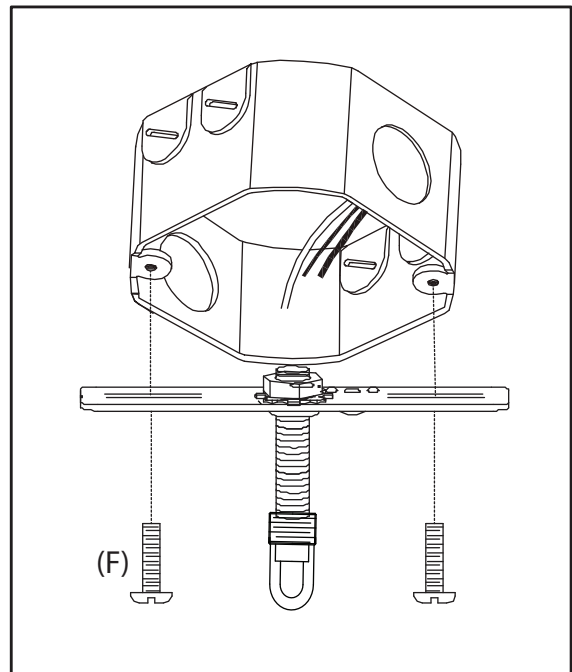
Attach Nipple (E) to Mounting Bracket (K) and use Nut (J) and Lock Washer (I) on one side to lock Nipple in place.

Thread Canopy Loop (H) onto longer end of Nipple.



### STEP 2: ATTACH MOUNTING HARDWARE

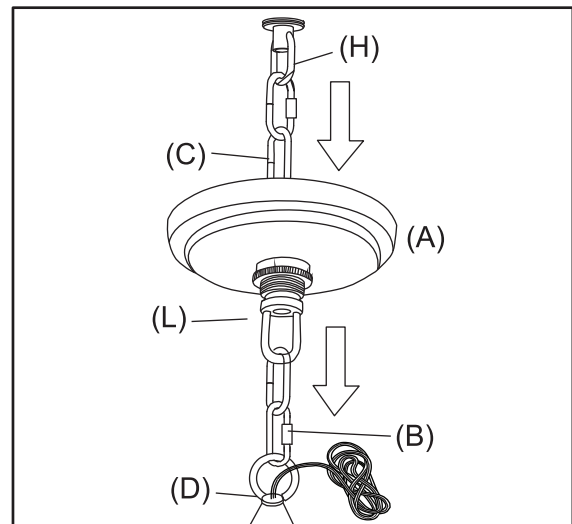
Attach Mounting Hardware to Junction Box using Mounting Screws (F). Use screwdriver to firmly tighten and secure.



### STEP 3: ATTACH CHAIN / ADD HARDWARE

Determine drop measurement (ceiling to bottom of fixture) and adjust Chain (C) length by adding/removing links.

Open Lock Buckle (B) and attach one end to Loop on top of Fixture Body (D). Slide Collar (L) followed by Canopy (A) down Chain and allow rest on top of Fixture. Open Lock Buckle on other end of Chain then lift and hang entire Fixture from Canopy Loop (H).



Customer Service: 800-367-2810

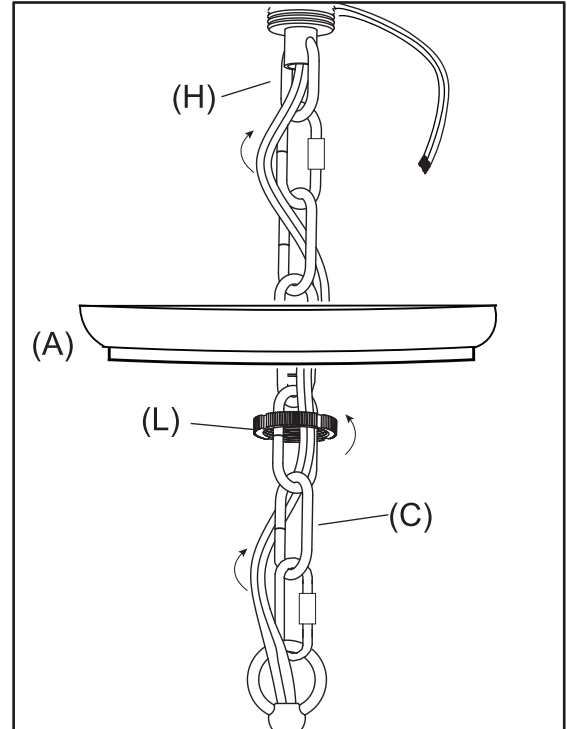
Online: [www.ballarddesigns.com](http://www.ballarddesigns.com)



**Prior to installation or removal of a previous fixture, disconnect power by turning off circuit breaker or removing fuse at electrical panel.**

#### STEP 4: WEAVE CORD/WIRE

Weave Fixture Cord and Ground Wire through Collar (L), Canopy (A) and then through Chain (C) about every third link. Finally, thread Cord/Wire through hole in center of Canopy Loop (H) through Nipple (E) and into the Junction Box. Permit wires to hang freely next to Chain.

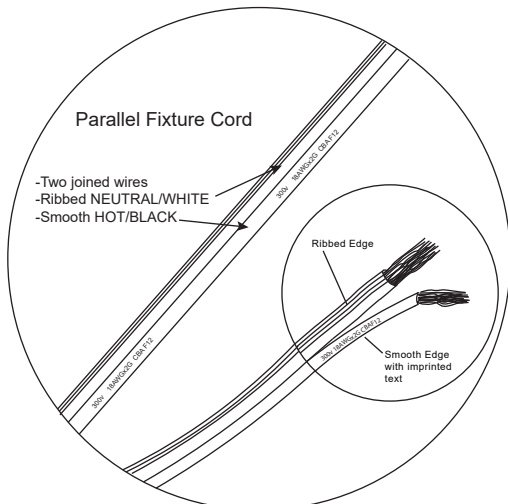
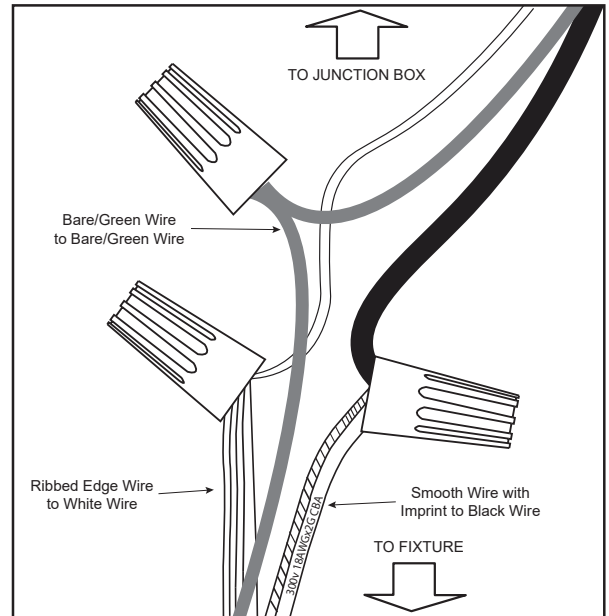


#### STEP 5: CONNECT ELECTRICAL

Trim wires leaving at least 6" to make electrical connection. Strip ends of 3/4" insulation. Attach bare (or green) ground wire from fixture to bare (or green) ground wire in junction box using Wire Connector (G). Wrap both around green ground screw on Mounting Bracket (K) and firmly tighten.

**⚡ TO AVOID ELECTRICAL SHOCK, WIRE FOR CORRECT POLARITY:** Connect wires SMOOTH (with imprinted text) to \*BLACK. Connect wires RIBBED ALONG EDGE to WHITE. Firmly secure with Wire Connectors. SEE INSET BELOW:

\* Black wire may be red in some installations.



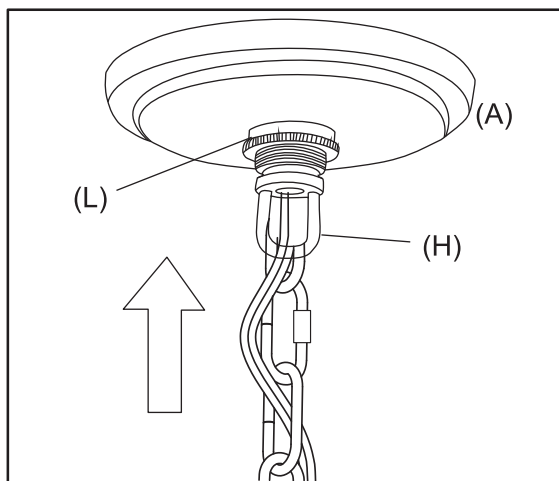
Customer Service: 800-367-2810  
Online: [www.ballarddesigns.com](http://www.ballarddesigns.com)



**Prior to installation or removal of a previous fixture, disconnect power by turning off circuit breaker or removing fuse at electrical panel.**

**STEP 6: COVER JUNCTION BOX**

Slide Ceiling Canopy (A) over Junction Box followed by Collar (L). Thread Collar onto Canopy Loop (H) and tighten until Canopy is firmly pressed against ceiling.

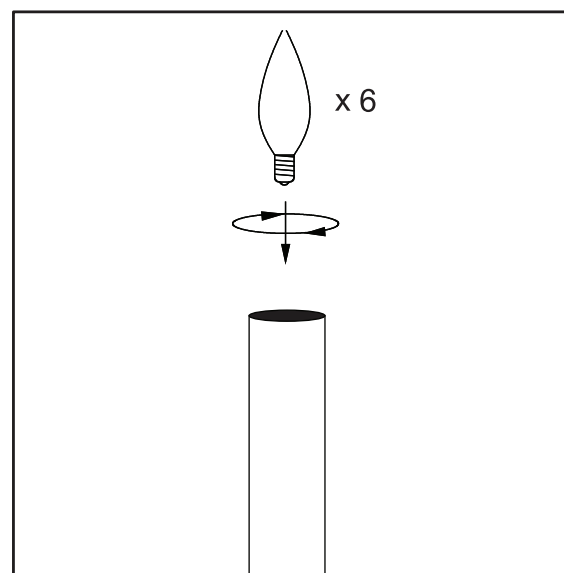



**STEP 7: INSTALL BULBS**

Sockets on this Fixture rated up to 60 Watt Maximum INCANDESCENT Type B Bulbs.

\*LED bulbs may be used and permit a choice of brighter bulb without exceeding socket rating.

To mimic the color of an incandescent, choose 2700K Soft White.





**TIP**

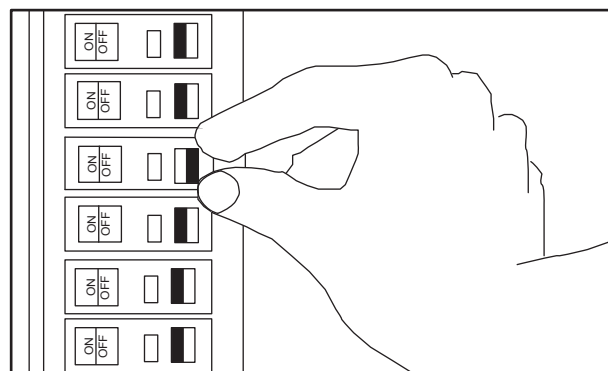
**CONSIDER USING LED BULBS**


Lower Energy Consumption  
Minimal Heat / Longer Life / High Illumination

Light Output Lumens	Energy Consumption	
	LED Watts	Incandescent Watts
450	4-5	40
800	6-8	60
1,100	9-13	75
1,600	16-20	100
2,600	25-28	150

**STEP 8:**

Connect breaker and turn on Light.





**Cleaning and Care**

Periodically wipe Fixture with a soft, dry cloth.  
Avoid harsh or abrasive chemicals as  
finish damage may result.



Customer Service: 800-367-2810

Online: [www.ballarddesigns.com](http://www.ballarddesigns.com)