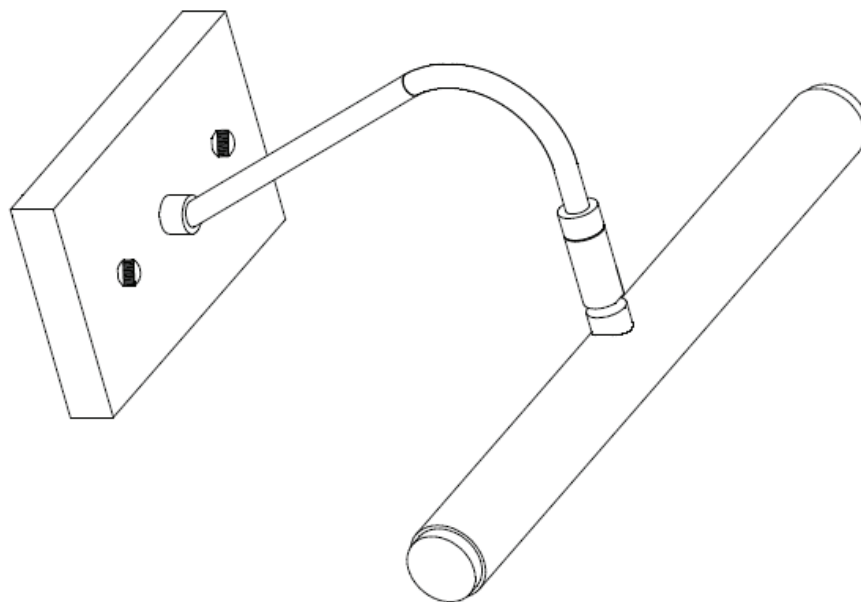


PRODUCT NAME: Art Display Wall Sconce

ITEM NUMBER: LW597

ASSEMBLED DIMENSIONS: 5 3/16"H x 12"W x 8 1/2"D
5 3/16"H x 18"W x 8 1/2" D



IMPORTANT SAFETY INSTRUCTIONS:

- A licensed professional electrician should install direct wire fixtures.
- For your safety, please read instructions carefully and completely before beginning assembly or installation.
- Fixture must be installed according to applicable code(s) by a person familiar with its construction and operation.
- This is an LED fixture. LEDs cannot be replaced.
- Prior to installation or removal of a previous fixture, disconnect power by turning off power at circuit breaker or removing fuse at electrical panel.

WARNING:

- Do not disassemble, repair or refit fixture.
- For dry indoor installation only. Do not use in wet or humid environment or touch with wet hands.
- Do not touch or look directly at illuminated LEDs.
- Keep flammable material away from illuminated bulbs.
- Do not force or overjust articulating feature on fixture.

Remove all parts, hardware and protective packaging from carton and carefully arrange on a clean, level surface.

NOTE: To avoid accidentally discarding small parts or hardware, retain all carton contents until after assembly and installation are complete.

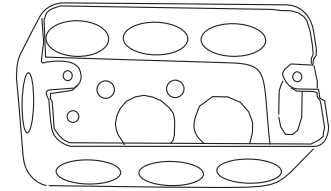
Recommended Location for Use: Dry Indoor Environment

Assembly Time: 30 minutes

People Required: 1 or more

Tools Required: Screwdriver, Electrical Tape, Wire Strippers, Wire Cutters, Pliers

INSTALLATION NOTE

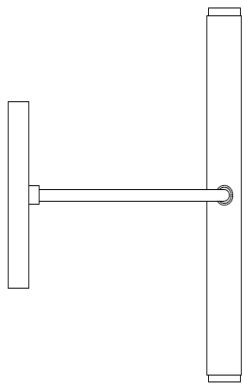


Due to the shape and size of this fixture's wall plate a rectangle outlet box is required to ensure coverage.

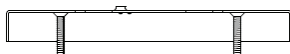
PARTS

Check to make sure you have the following:

INCLUDED:



1- Fixture Body (A)



1 - Mounting Bracket (B)

Technical Specifications

Power Supply Input: AC 120v
Rated Wattage: 7w
Lumens: ~ 560lm
Color Temperature: 2700K



2 - Cap Nuts (C)



4 - Mounting Screws (D)



3 - Wire Connectors (E)



1- Cross Bar (F)

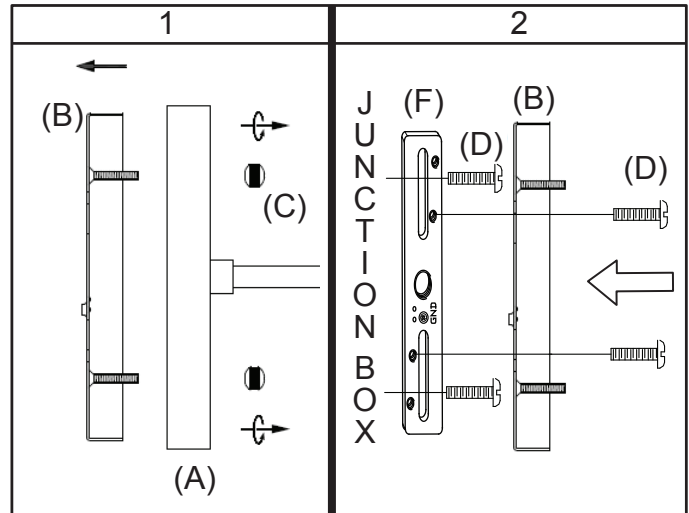
NOTE: Prior to installation or removal of a previous fixture, disconnect power by turning off circuit breaker or removing fuse at electrical panel.

STEP 1: PREPARE/INSTALL MOUNTING HARDWARE

Separate Mounting Bracket (B) from Fixture Body (A) by carefully removing and setting aside Cap Nuts (C).

Next, attach Cross Bar (F) to Junction Box using Mounting Screws (D).

Finally, align slots in Mounting Bracket with corresponding holes in Cross Bar and attach using remaining Mounting Screws.

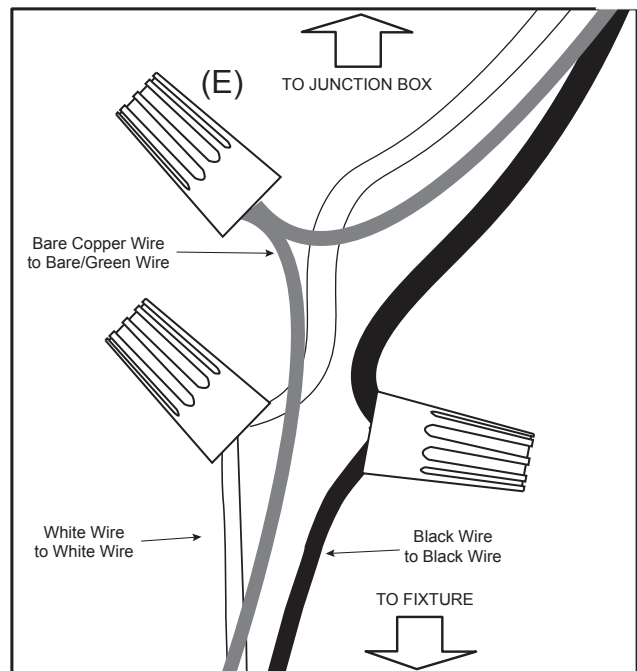


STEP 2: CONNECT ELECTRICAL

If necessary, strip wire ends of 1/2" of insulation then attach copper ground wire from Fixture to bare (or green) ground wire from Junction Box and attach using Wire Connector (E). Wrap both around Green Ground Screw on Mounting Bracket (B) and firmly tighten.

⚡ TO AVOID ELECTRICAL SHOCK, WIRE FOR CORRECT POLARITY:

Connect BLACK (or smooth) wires to BLACK.
Connect WHITE (or ribbed along the edge) wires to WHITE. Firmly secure all connections with a Wire Connector.

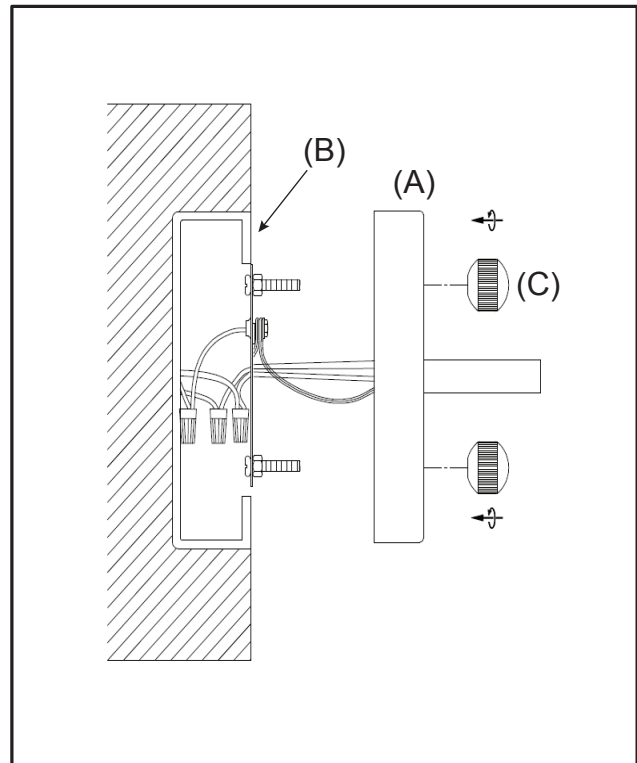


NOTE: Prior to installation or removal of a previous fixture, disconnect power by turning off circuit breaker or removing fuse at electrical panel.

STEP 3: ATTACH FIXTURE

Gently lift Fixture Body (A) toward Mounting Bracket (B) while carefully tucking wires into Junction Box. Align holes in Fixture Body with threaded studs and attach by placing Cap Nuts (C) onto each.

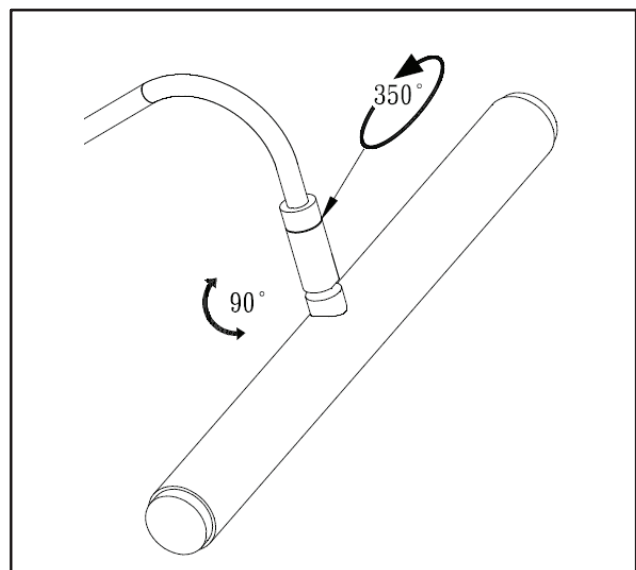
Tighten until fixture is secured.



STEP 4: ADJUST FIXTURE PIVOT

Fixture may be adjusted up/down, left/right.

NOTE: To avoid damage, do not force or over rotate. Do not press white plastic cover.



Cleaning & Care:

To clean, wipe the Fixture with a soft, dry cloth.
Avoid the use of harsh or abrasive chemicals as they may damage the finish