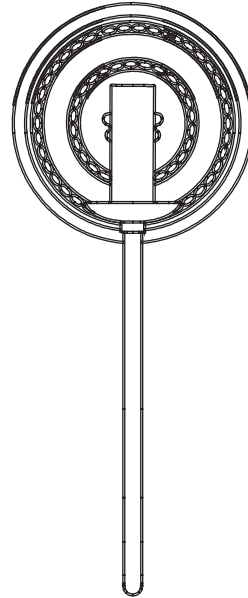




PRODUCT NAME: Cromwell Sconce

ITEM NUMBER: LW650

ASSEMBLED DIMENSIONS: 11.75"H x 5"W x 9.75" Projection



## **!** IMPORTANT SAFETY INSTRUCTIONS:

---

- A licensed professional electrician should install direct wire fixtures.
- For your safety, please read instructions carefully and completely before beginning assembly or installation. If unsure, contact a licensed electrician.
- Fixture must be installed according to applicable code(s) by a person familiar with its construction and operation. If unsure, contact a licensed electrician.
- Fixture rated up to 60 Watt MAX Type B bulb (not included). LED recommended.
- Prior to installation or removal of a previous fixture, disconnect power by turning off power at circuit breaker or removing fuse at electrical panel.

## **!** WARNING:

---

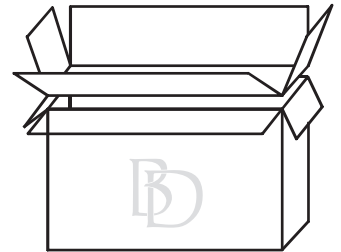
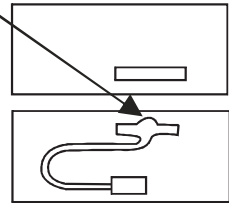
- Deviation from assembly instructions may cause risk of fire or electric shock.
- To reduce risk of personal injury, always turn off fixture and allow bulbs to cool prior to replacement.
- Do not touch or look directly at illuminated bulbs.
- Keep flammable material away from illuminated bulbs.



**Prior to installation or removal of a previous fixture, disconnect power by turning off circuit breaker or removing fuse at electrical panel.**

Remove all parts, hardware and protective packaging from carton and carefully arrange on a clean, level surface.

Hardware Packet



**Prevent accidentally discarding small parts or hardware. Retain all carton contents until assembly and installation are complete.**

**Approved Location for Use: Dry Indoor Environment**

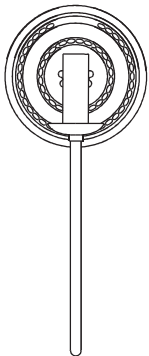
Assembly Time: 15 minutes

People Required: 1 or more

Tools Required: Screwdriver, Electrical Tape, Wire Strippers, Wire Cutters, Pliers

**HARDWARE AND COMPONENTS**

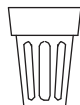
**INCLUDED:**



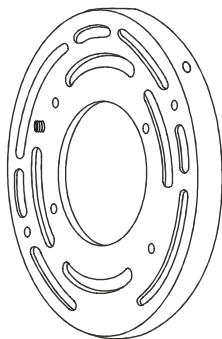
1 - Fixture Body (A)



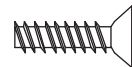
2 - Mounting Screws (C)



3 - Wire Connectors (D)



1 - Mounting Bracket (B)  
with Ground Screw



3 - Set Screws (E)

**NOT INCLUDED:**



1 - 60 Watt MAX  
Type B Candelabra Bulb  
\*LED recommended



**Cleaning and Care**

Periodically wipe Fixture with a soft, dry cloth.  
Avoid harsh or abrasive chemicals as  
finish damage may result.



Customer Service: 800-367-2810

Online: [www.ballarddesigns.com](http://www.ballarddesigns.com)



**Prior to installation or removal of a previous fixture, disconnect power by turning off circuit breaker or removing fuse at electrical panel.**

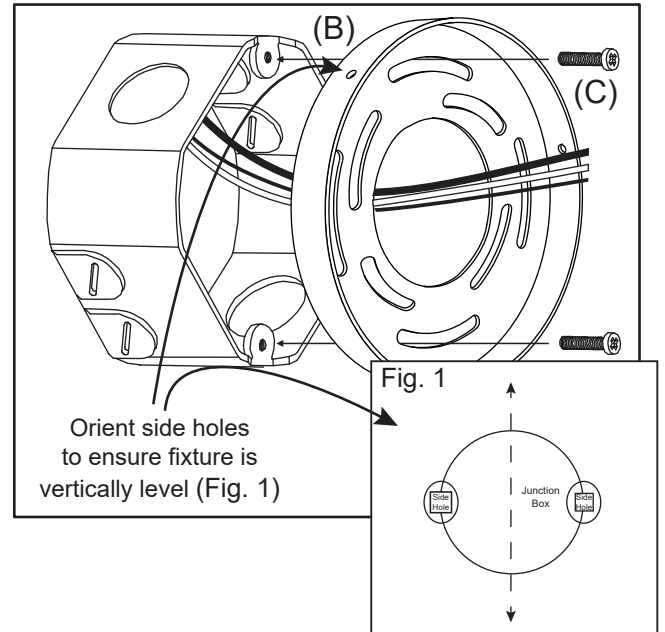
### STEP 1: INSTALL MOUNTING HARDWARE

If necessary, separate Mounting Bracket (B) from Fixture Body (A) by removing all Set Screws (E) and securely setting aside for later use.

Fit Mounting Plate onto Junction Box, **being certain Set Screw holes are oriented so fixture is vertically level when attached at STEP 3 (Fig. 1)**. Secure Plate to box using Mounting Screws (C).



**NOTICE:** To ensure level fixture installation, orient **SIDE HOLES** accordingly. Backplate is secured FROM SIDES by two Set Screws.

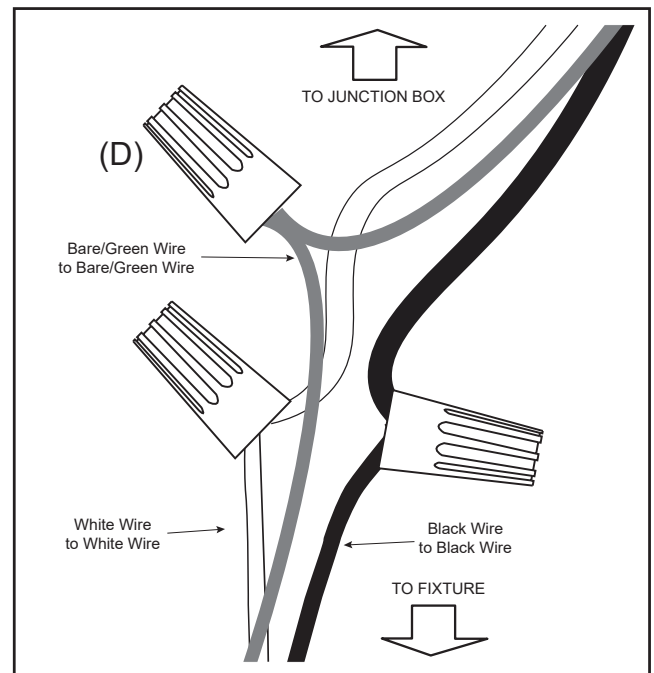


### STEP 2: CONNECT ELECTRICAL

If necessary, strip wire ends of 1/2" of insulation then attach bare (or green) ground wire from Fixture to bare (or green) ground wire from Junction Box and attach using Wire Connector (D). Wrap both around Green Ground Screw on Mounting Bracket (B) and firmly tighten.

**⚡ TO AVOID ELECTRICAL SHOCK, WIRE FOR CORRECT POLARITY:**

Connect **BLACK** wires to **BLACK**.  
Connect **WHITE** wires to **WHITE**. Firmly secure all connections with a Wire Connector (D).



**WARNING**  
Electrical Shock Hazard

Handle Electrical Wires with Care  
Do Not Crimp or Tear Wire Insulation



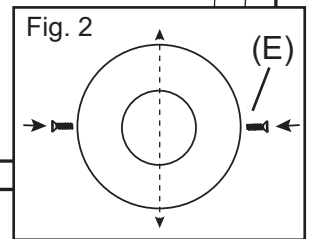
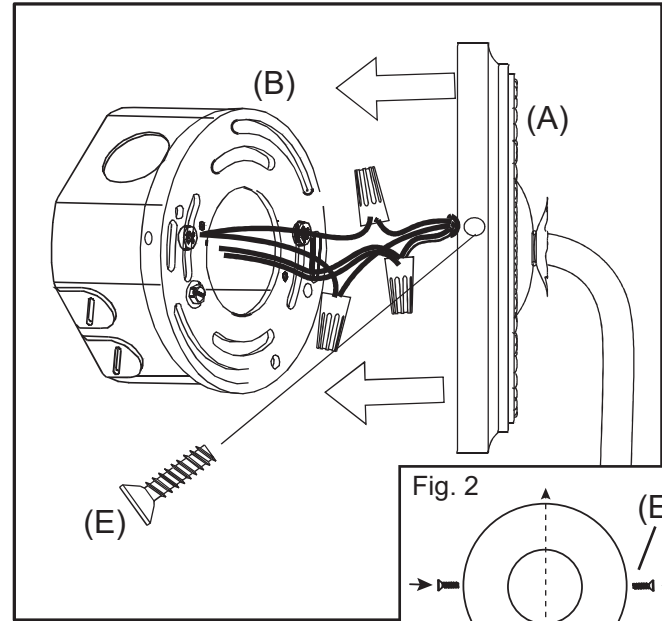
Customer Service: 800-367-2810  
Online: [www.ballarddesigns.com](http://www.ballarddesigns.com)



**Prior to installation or removal of a previous fixture, disconnect power by turning off circuit breaker or removing fuse at electrical panel.**

### STEP 3: ATTACH FIXTURE

Carefully fit Fixture (A) over Mounting Bracket (B), align top/bottom holes then insert and tighten both Set Screws (E). See Inset (Fig.2)



### STEP 4: INSTALL BULB

#### SOCKET RATING: 60W MAX Type B Bulb

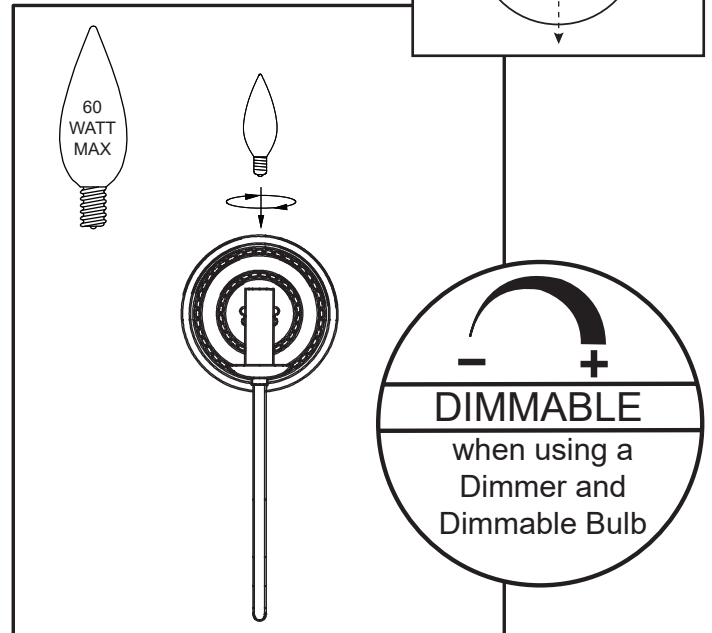
\*LED bulbs permit a brighter bulb without exceeding socket rating. (Scan QR Code below for details)

LUMENS (lm): Light output (brightness)

KELVIN (K): Light color. (orange/golden/white/blue)

Kelvin Range: 1800K (orange) to 6000K (white)

To mimic the color of an incandescent bulb, choose 2700K (Soft White).

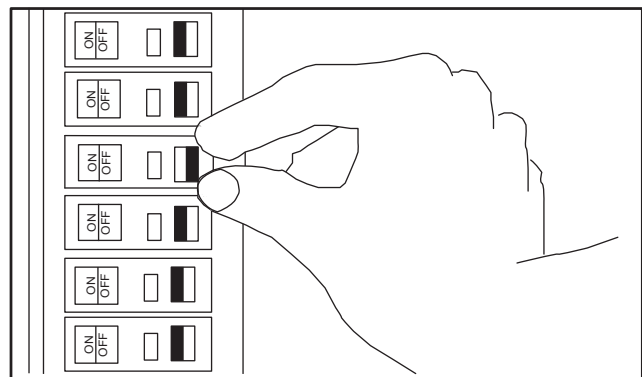




**TIP**

Scan this QR Code to learn more regarding **LED BULBS** and how to best use them with your new fixture!

### STEP 5: RESTORE POWER/TURN ON LIGHT



Customer Service: 800-367-2810  
Online: [www.ballarddesigns.com](http://www.ballarddesigns.com)