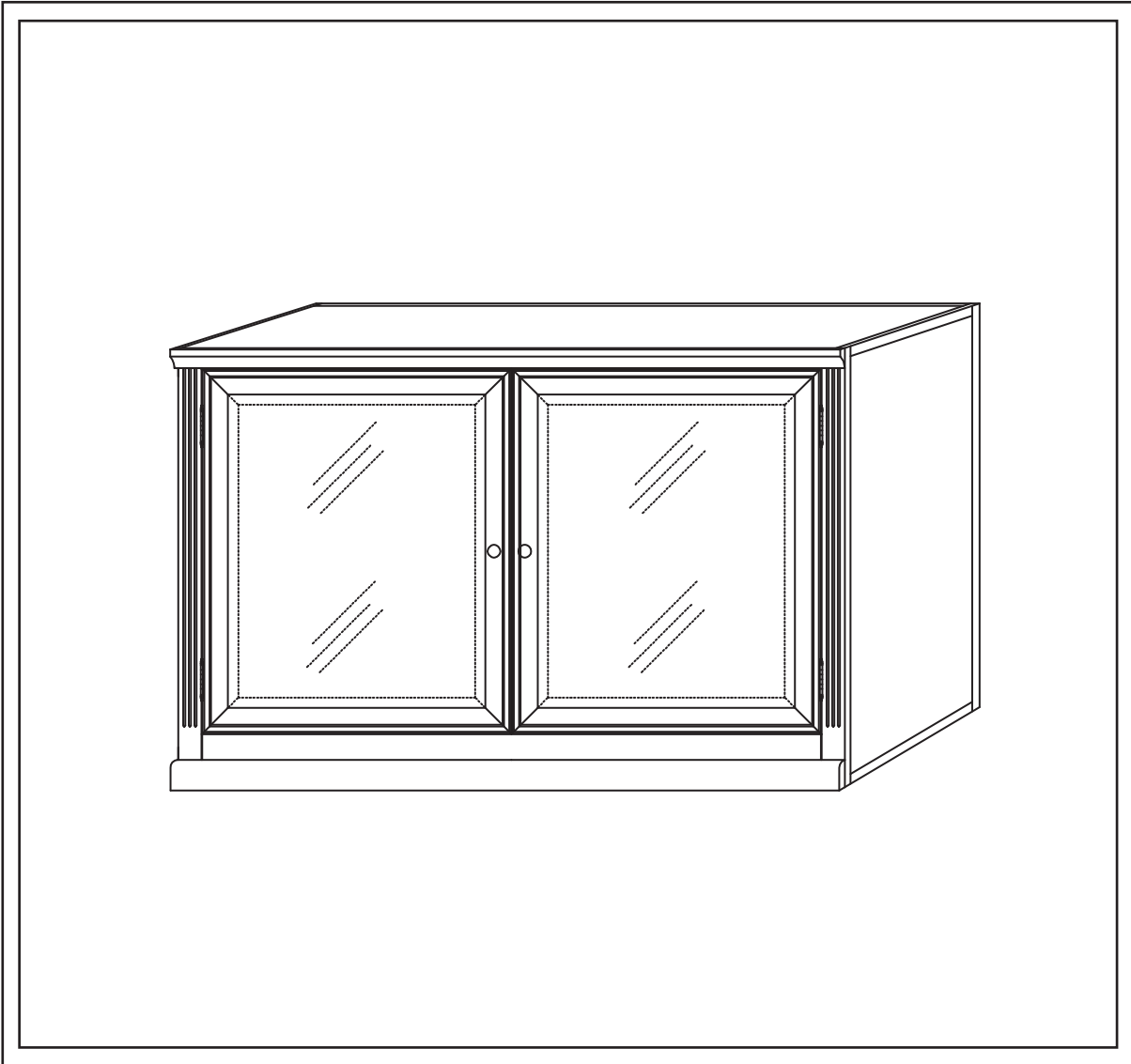
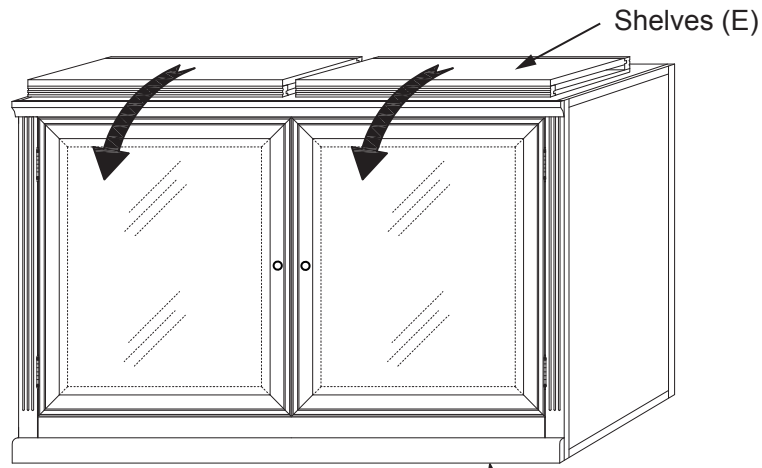





PRODUCT NAME: Tuscan Media Console
ITEM NUMBER: MA166
ASSEMBLED DIMENSIONS: 34"H x 52 1/2"W X 20"D





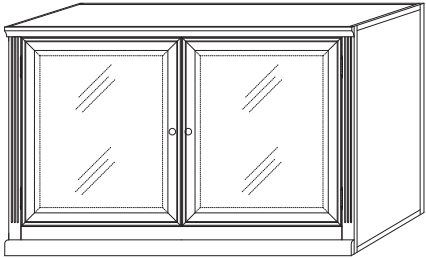

Hardware located here (A-C)

Ltr.	Qty.	Hardware Included
A	16	 Shelf Supports
B	4	 Wood Plugs
C	2	 Anti Tip Kits

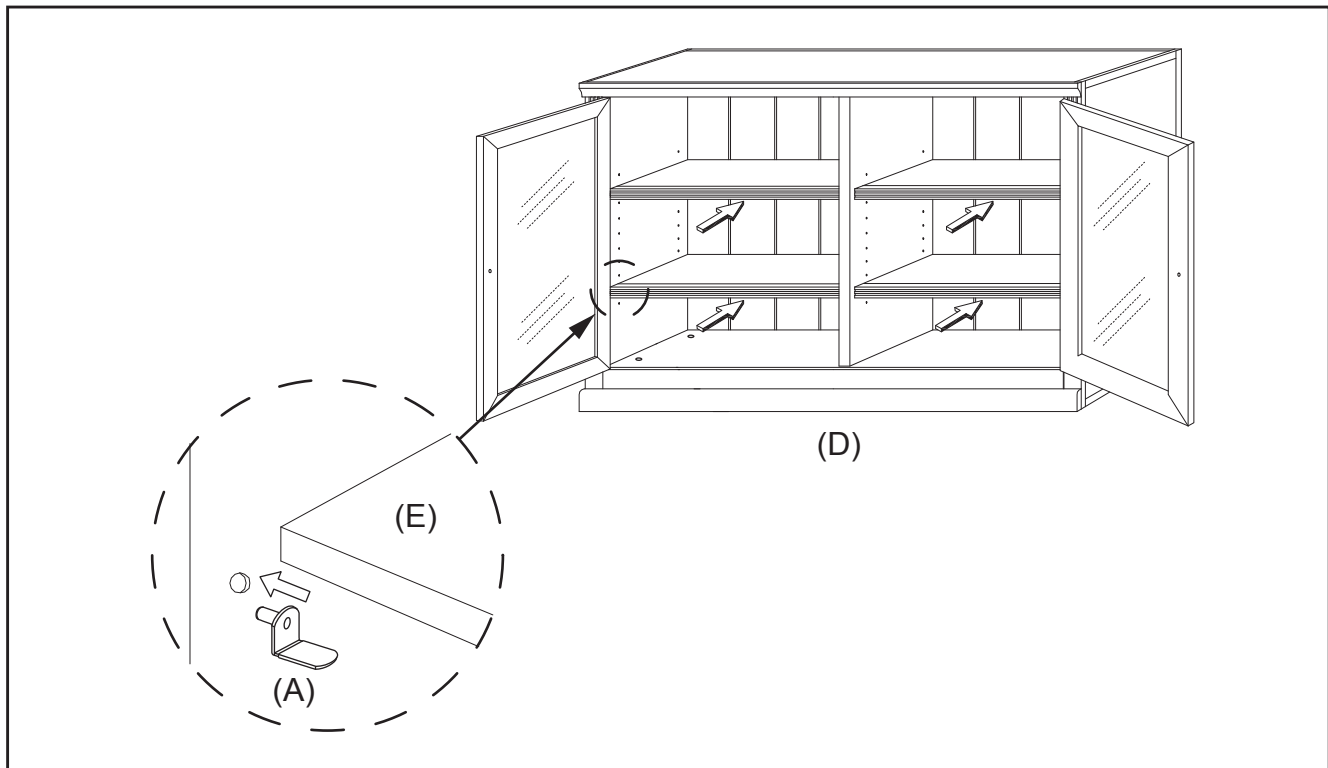
TOOLS NEEDED:

- Assembly may require 2 people.
- May require a Flathead screwdriver.
- Requires a Phillips head screwdriver.

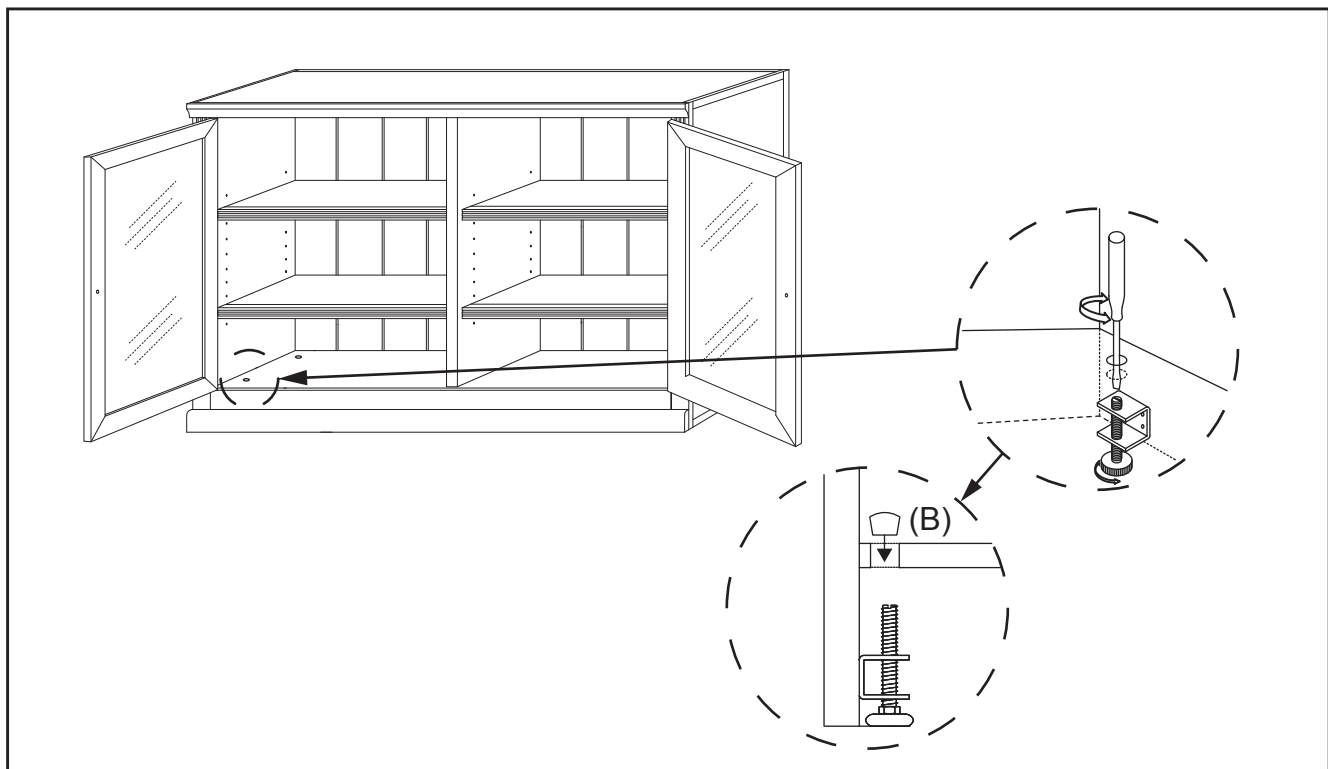
NOTE: To avoid accidentally discarding small parts or hardware, retail all carton contents until assembly and installation are complete.

Ltr.	Qty.	Components
D	1	 Console (D)
E	4	 Shelves (E)



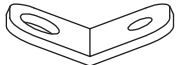

STEP 1: Insert Shelf Supports (A) into desired locations inside Console (D). Gently place Shelves (E) onto Shelf Supports.



STEP 2: If necessary, Console may be leveled by adjusting the interior Rotary Levelers located on bottom of each corner. To access, open doors and using a Flathead Screwdriver, turn clockwise or counterclockwise until the Console is level. Afterward, insert a Wood Plug (B) into each opening to hide holes.

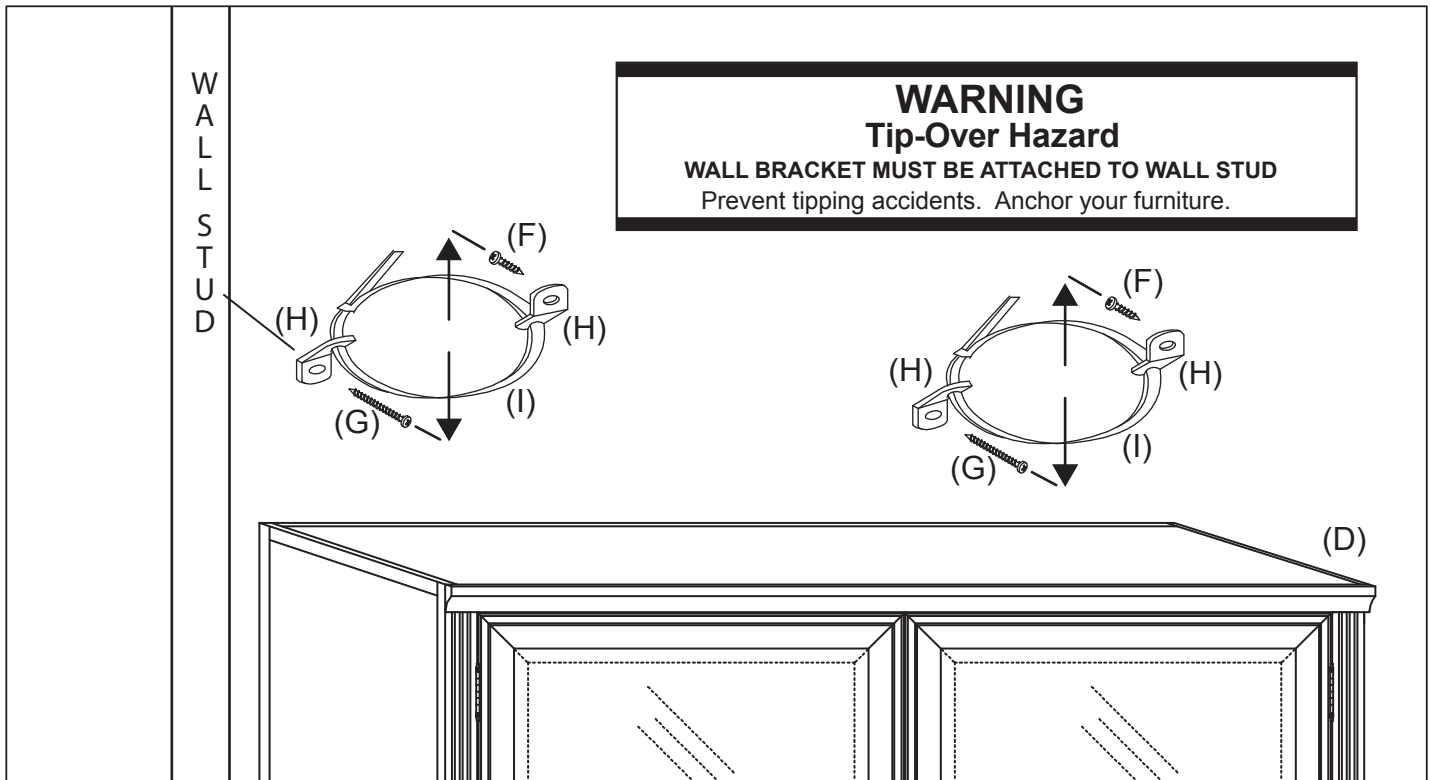


ANTI TIP INSTALLATION: **PART C**

Ltr.	Qty.	Hardware Included	
F	2		Small Screws
G	2		Large Screws
H	4		Brackets
I	2		Retention Belts

Attach 2 Brackets (C) to back of Console with Small Screws (A) placed through smaller hole.

Attach remaining Brackets (C) **INTO A WALL STUD** with Large Screws (B) 2 inches below the Brackets attached to Console. Align the Brackets vertically and string in the Retention Belts (D).
Confirm Straps are securely laced and locked.



Cleaning & Care:

DO NOT use alcohol based products or spray polisher as they can damage the finish.
Dust with soft cloth. One to two times monthly, apply beeswax polish as needed.
Finish can be affected by heat or extended contact with oils or wine.