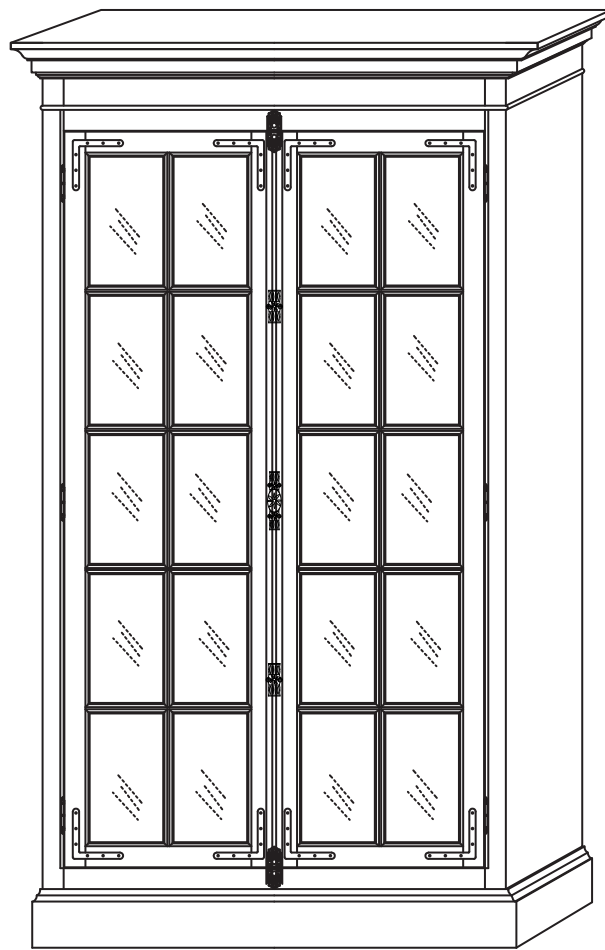




PRODUCT NAME: Salerno Glass Door Cabinet

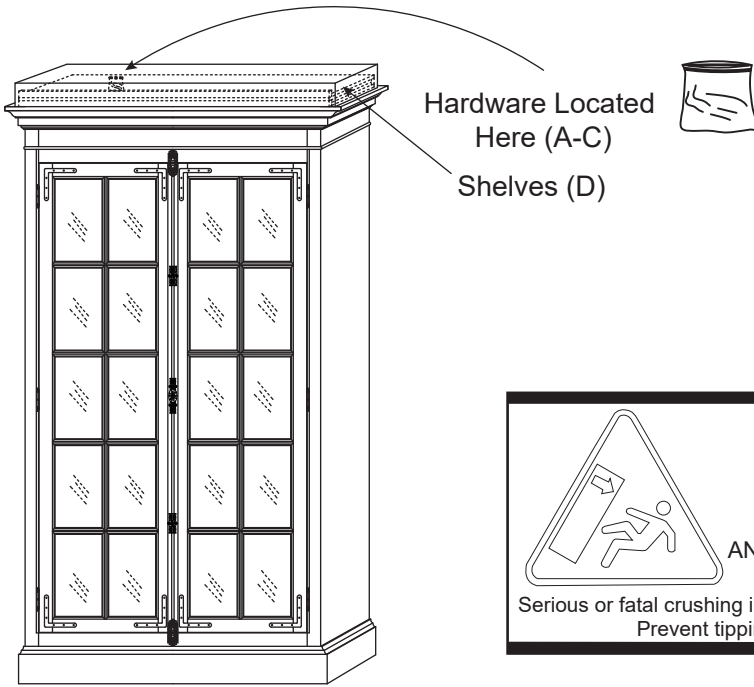
ITEM NUMBER: MA275

DIMENSIONS OF ITEM ASSEMBLED: 85"H X 49 1/2"W X 19"D



**Prevent accidentally discarding small parts or hardware. Retain all carton contents until assembly and installation are complete.**

**⚠ Assemble in location for intended use.**



**REQUIRED TOOLS:**  
Phillips and Flathead Screwdrivers

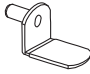

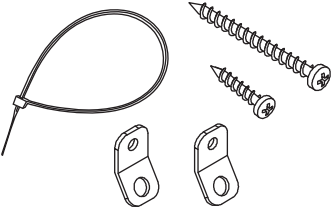
-Two person assembly suggested.

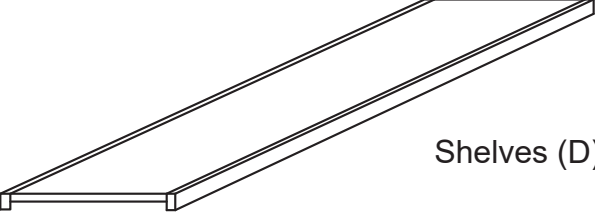
Remove all parts, hardware and protective packaging from carton and carefully arrange on a clean, level, padded surface.




**WARNING**  
**Tip-Over Hazard**  
ANCHORING HARDWARE INCLUDED

Serious or fatal crushing injuries can occur from a furniture tip-over  
Prevent tipping accidents. Anchor your furniture.

Ltr.	Qty.	Hardware Included	
A	12		Shelf Supports
B	4		Wood Plugs
C	2		Wall Anchoring Anti-tip Hardware See Page 4

Ltr.	Qty.	Components	
D	3		Shelves (D)



**Cleaning and Care**

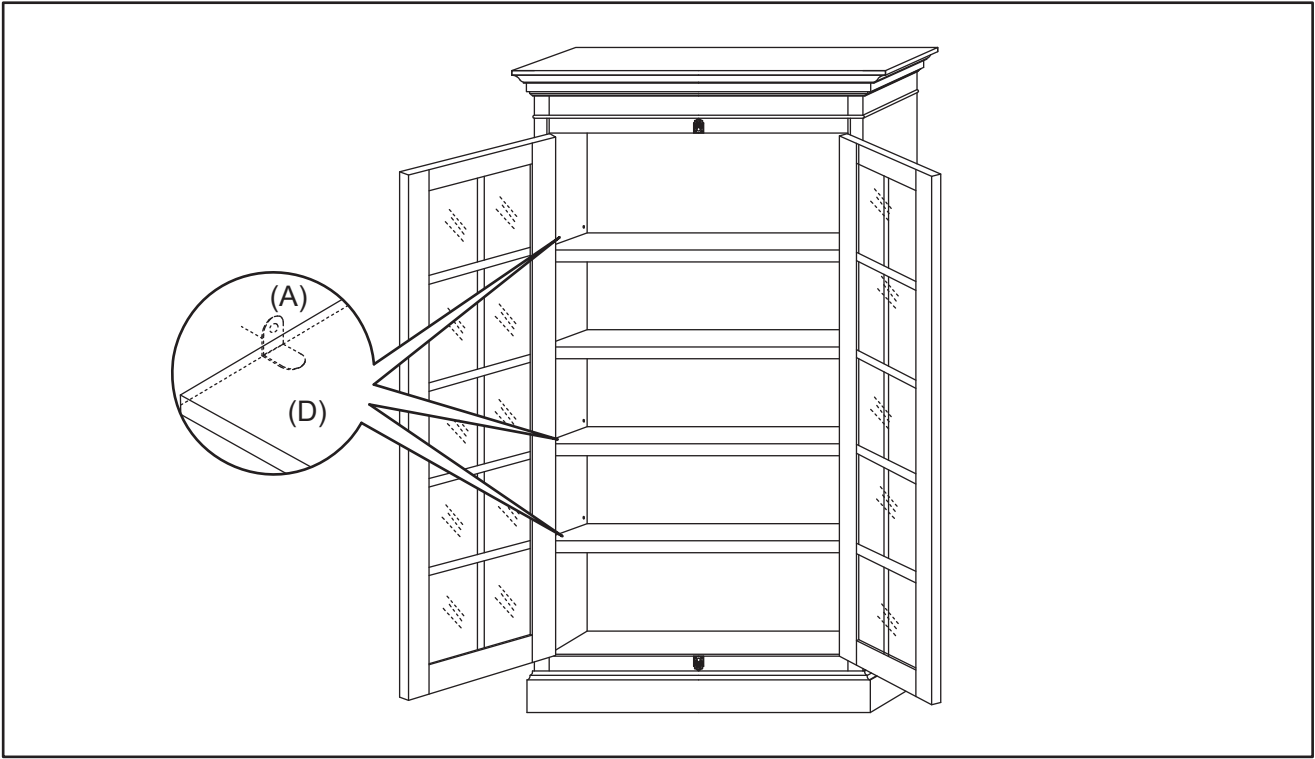
Periodically dust with a soft, dry cloth.  
Prevent finish damage: do not use alcohol based  
cleaners or polishers.



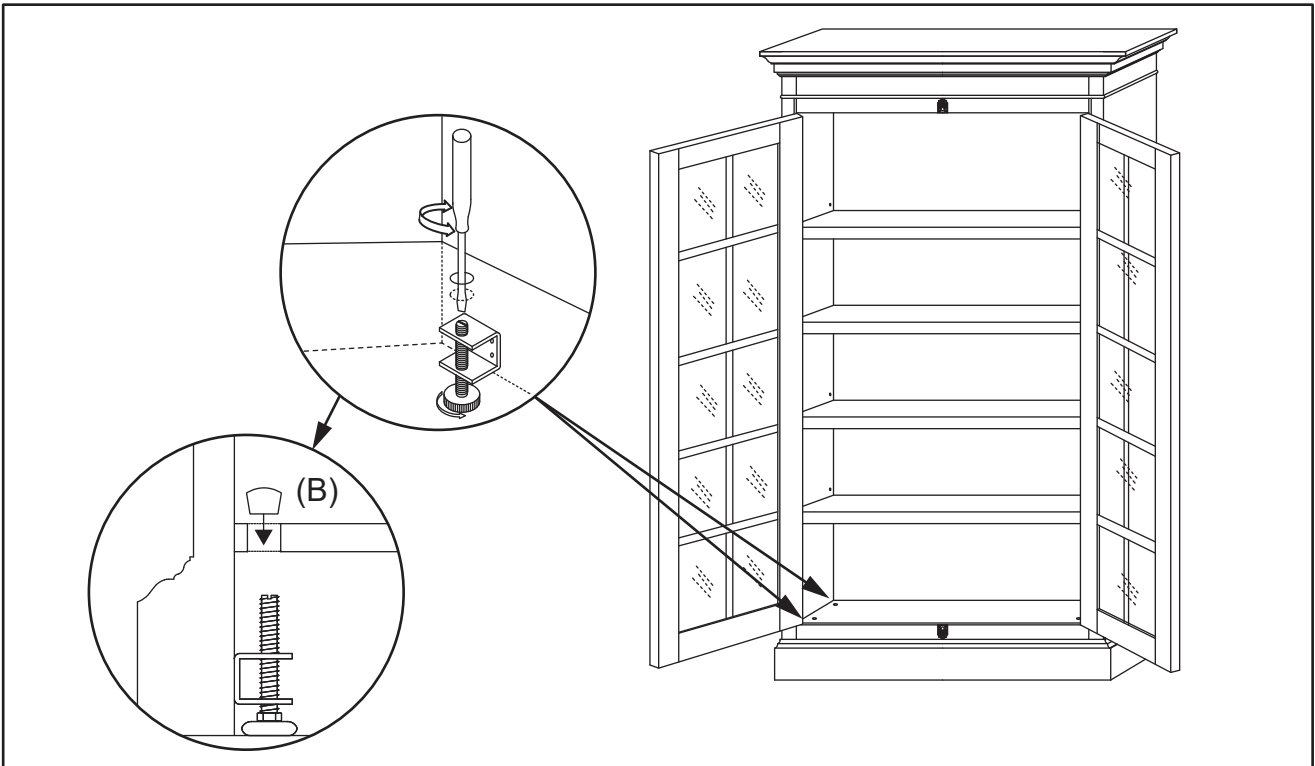
Customer Service: 800-367-2810  
Online: [www.ballarddesigns.com](http://www.ballarddesigns.com)

⚠ Assemble in location for intended use.



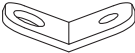

STEP 1: Determine location for each Shelf (D) then insert Shelf Supports (A) into corresponding pre-drilled holes. Lay Shelf level upon Supports.



**LEVELERS:** Cabinet is equipped with Rotary Levelers under each corner, accessible from INSIDE Cabinet. Insert Flathead Screwdriver (not included) into opening and turn Leveler clockwise/counter-clockwise to adjust. When complete, cover each opening with Wood Plug (B).



## WALL ANCHORING HARDWARE (ANTI-TIP)

Ltr.	Qty.	Hardware Included
A	2	 Large Screw
B	2	 Small Screw
C	4	 Bracket
D	2	 Retention Belt



### Installation:

1. Place furniture against wall at desired location then locate and mark a Wall Stud behind unit.
2. Corresponding to Stud location, attach one Bracket (C) to back of unit using Small Screw (B).
3. To keep hardware out of view after installation, attach remaining Bracket (C) **INTO WALL STUD** with Large Screw (A) 2 inches below Bracket attached to back of unit.
4. Move unit into place, align Brackets then connect both using Retention Belt (D).
5. Confirm Belt is securely laced and locked.

 **WALL BRACKET MUST BE ATTACHED TO WALL STUD**

