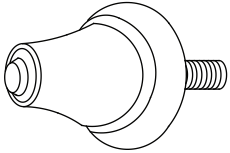




PRODUCT NAME: Isabella 2 Drawer Nightstand with Charging  
ITEM NUMBER: MB421  
ASSEMBLED DIMENSIONS: 30 1/4"H X 32"W X 18 1/2"D



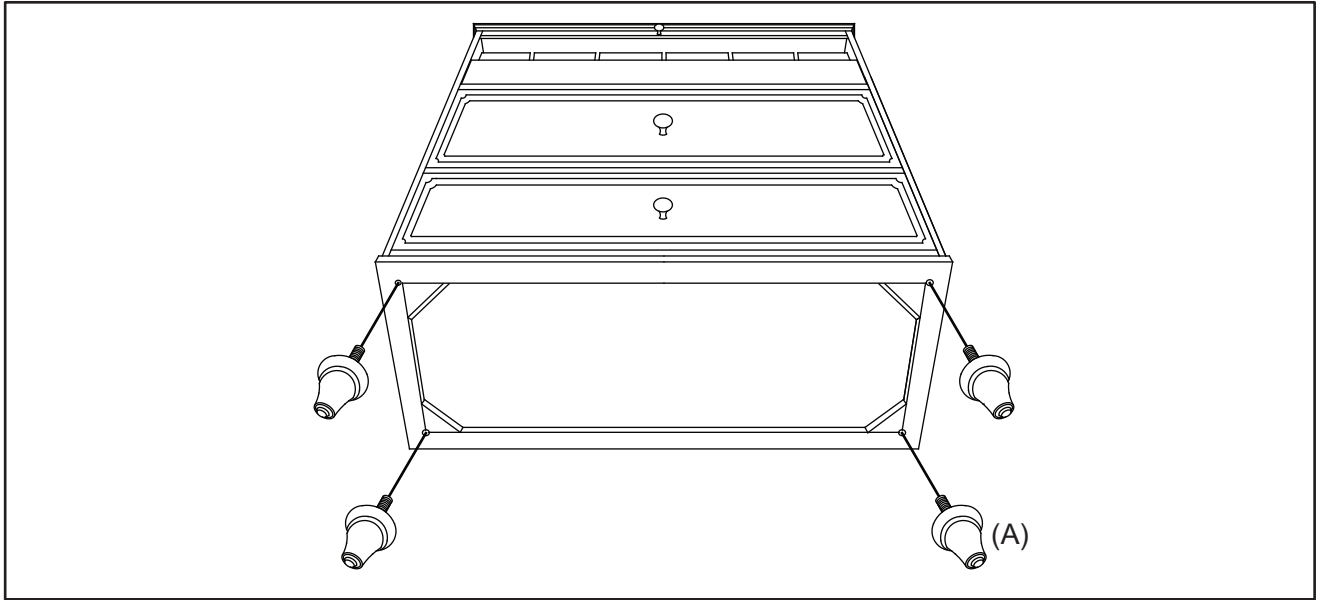
Ltr.	Qty.	Components
A	4	 Feet (A)

**TOOLS NEEDED:**  
 Assembly may require 2 people.

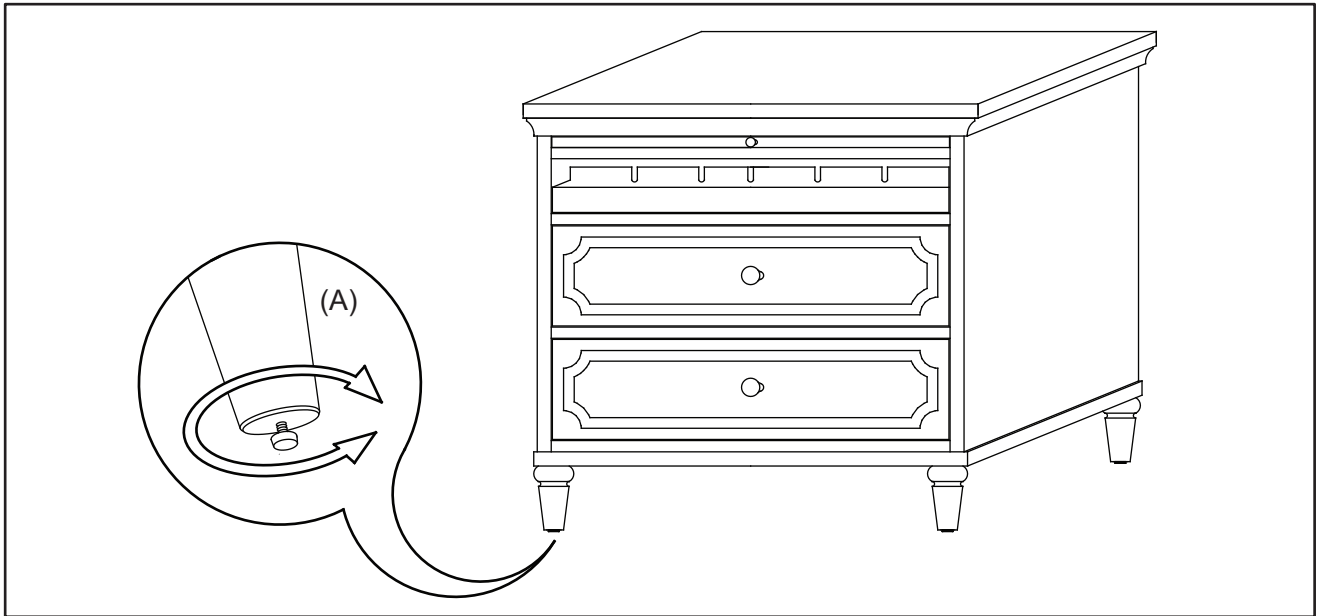
**NOTE:** When unpacking, lay the parts on a padded surface such as the packaging provided.


**STEP 1:** Lay the Nightstand on it's back on a smooth, clean surface. Screw each Foot (A) into the bottom corners of the Nightstand.

**NOTE:** When setting the Nightstand upright, **DO NOT** put uneven pressure on the Feet.



**STEP 2:** If the Nightstand is uneven, adjust the levelers on the bottom of each Foot (A) by twisting them clockwise or counterclockwise until the Nightstand is even.



	<b>Cleaning and Care</b>
	Periodically dust with a soft, dry cloth. Protect surfaces to prevent damage. Do not use alcohol based cleaners or polishers.



Customer Service: 800-367-2810  
 Online: [www.ballarddesigns.com](http://www.ballarddesigns.com)