

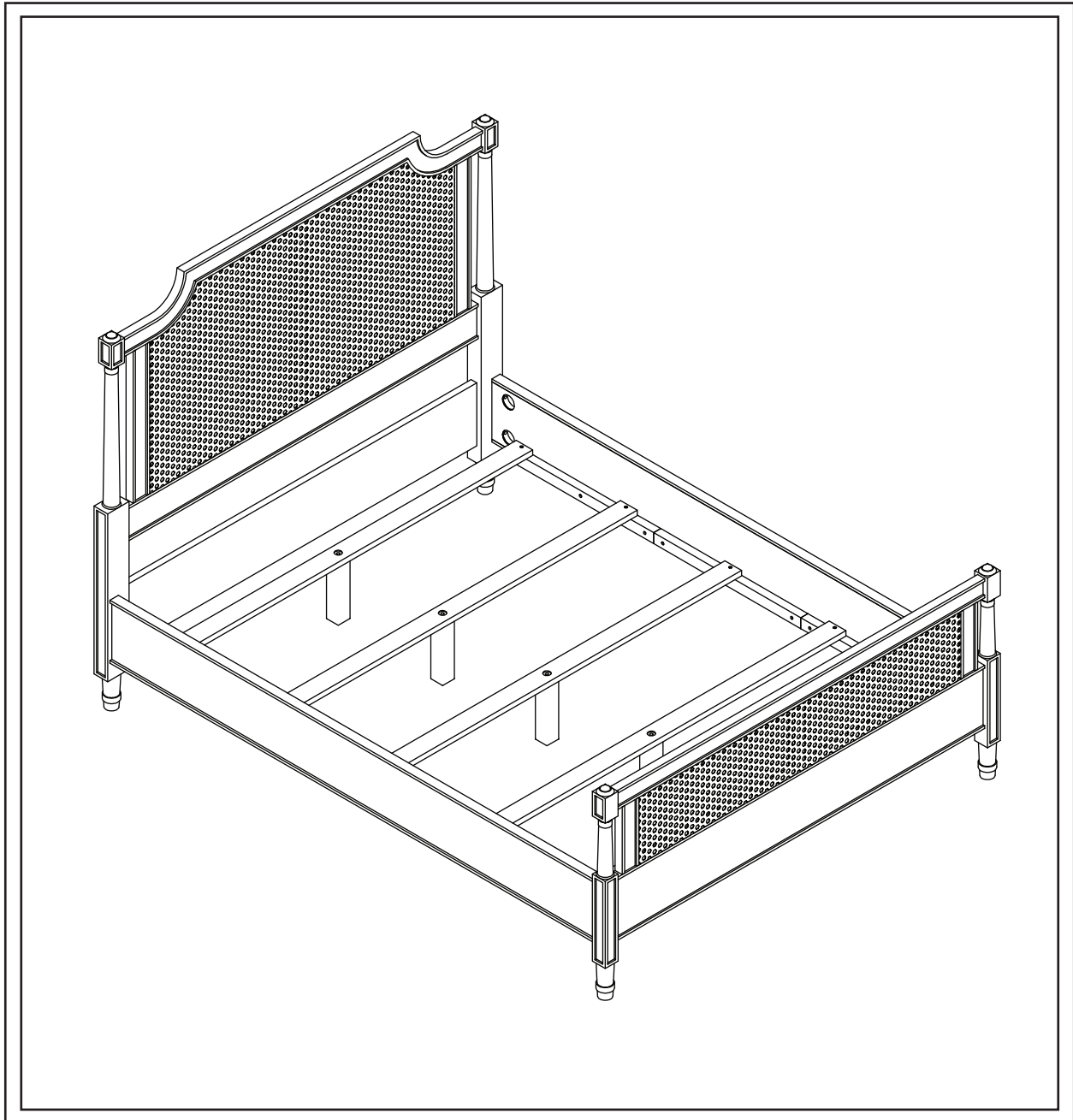


PRODUCT NAME: Villandry Bed

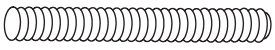
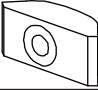


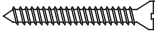


ITEM NUMBER: MB511

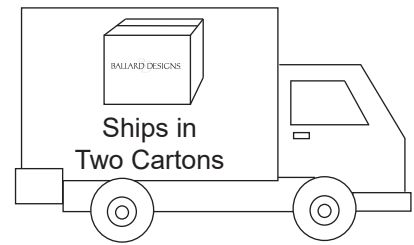
ASSEMBLED DIMENSIONS : KING - 57"H x 81 1/2"W x 85 1/4"L

QUEEN - 57"H x 65 1/2"W x 85 1/4"L



**⚠ Assemble in location for intended use.**

Ltr.	Qty.	Hardware Included	
A	8		<b>Threaded Studs</b> 5/16" x 3 9/16"
B	8		<b>Half-Moon Washers</b> 5/16"
C	8		<b>Lock Washers</b> 5/16"
D	8		<b>Hex Nuts</b> 5/16"
E	10		<b>Wood Screws</b> 5/16" x 1 3/16"
F	1		<b>Wrench</b> 5/16"
G	4		<b>Wood Dowels</b> 3/8" x 1 9/16"

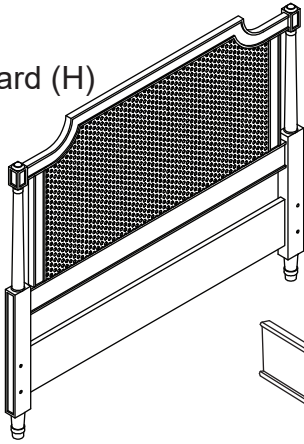
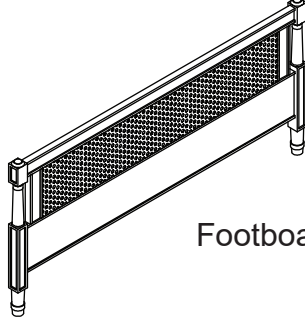
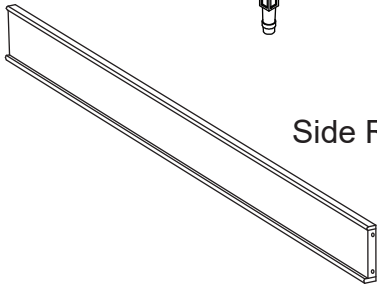
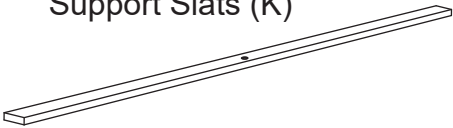



**TOOLS REQUIRED:**  
Wrench (included), Phillips Screwdriver  
-Two person assembly suggested.

Remove all parts, hardware and protective packaging from carton and carefully arrange on a clean, level, padded surface.



**PROTECT YOUR FLOORS**  
Lift Bed when moving.  
Do not slide over floor surface.

Ltr.	Qty.	Components	
H	1		
I	1		
J	2		
K	5		
L	4		

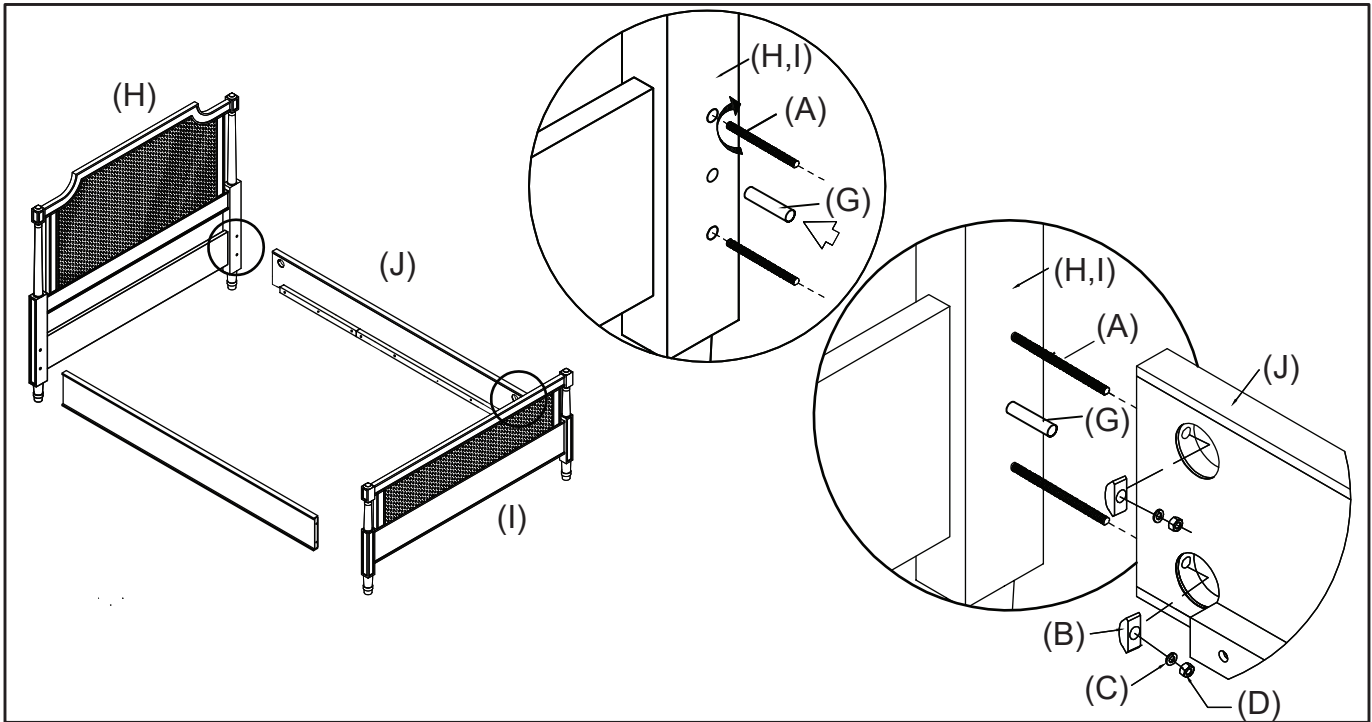


Customer Service: 800-367-2810  
Online: [www.ballarddesigns.com](http://www.ballarddesigns.com)

**▲ Assemble in location for intended use.**

### STEP 1: ATTACH SIDE RAILS TO HEADBOARD AND FOOTBOARD

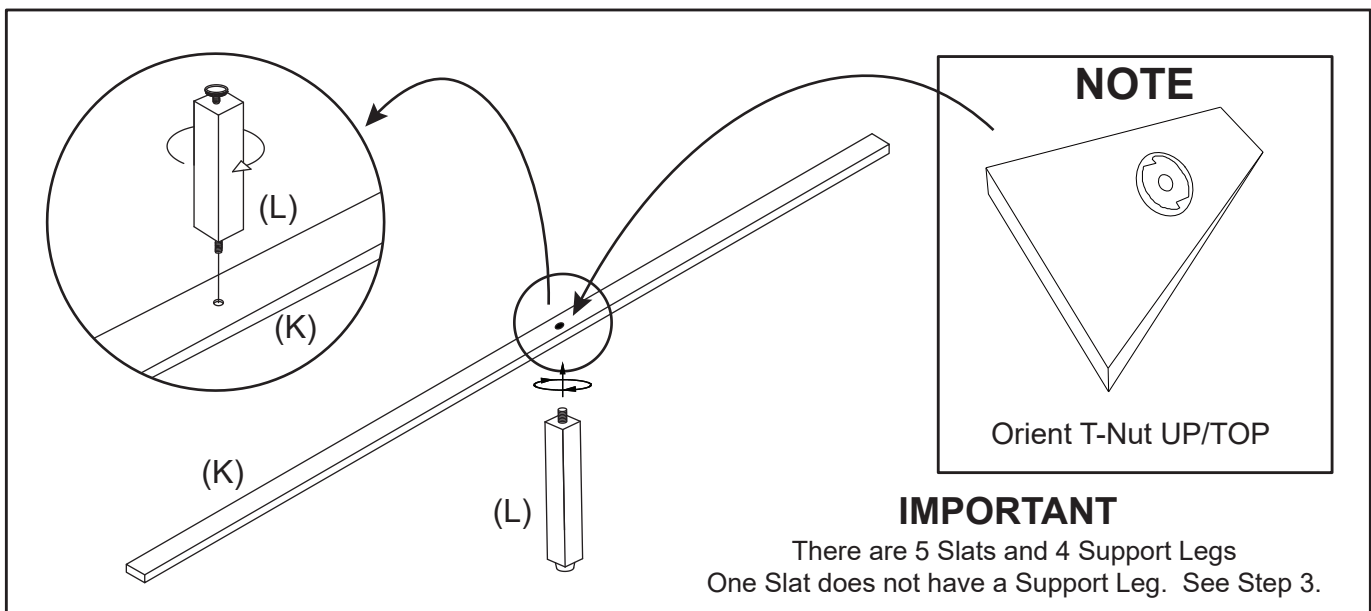
Insert and tighten Studs (A) into upper and lower holes on both sides of Headboard (H). Insert and gently tap a Wood Dowel (G) into center hole. Align holes in Side Rails (J) over ends of Studs/Dowel then add Half-Moon Washer (B) followed by Lock Washer (C) then Hex Nut (D). Using Wrench (F), firmly tighten Nuts until Side Rails are secured to Headboard. Repeat process for Footboard (I).



### STEP 2: ATTACH A SUPPORT LEG TO EACH SUPPORT SLAT

Remove protective plastic covering from each Stud on Support Leg (L) then insert each into holes in each Support Slat (K). **NOTE:** One Slat does NOT have a Support Leg. See STEP 3.

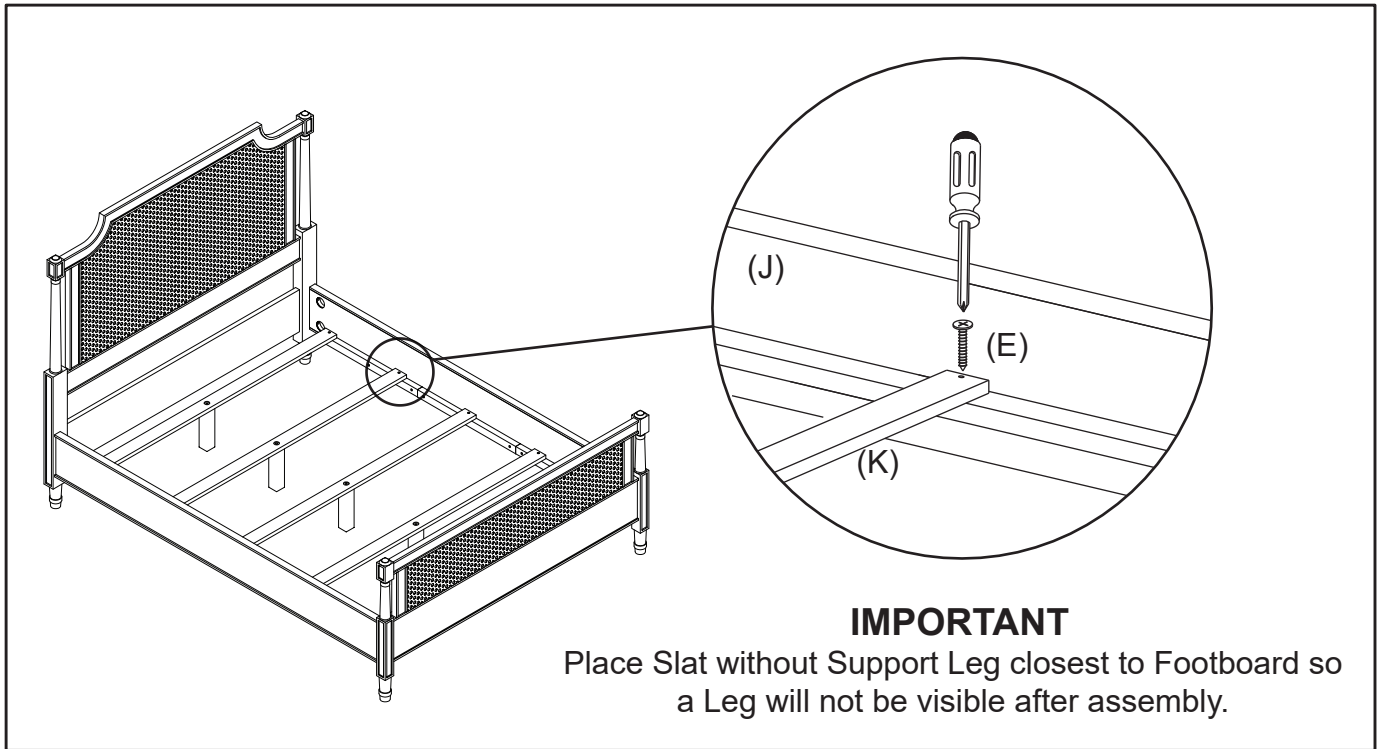
**NOTE: Metal T-nut faces up. Insert Support Leg from the side opposite the T-nut. Firmly tighten and secure.**



Customer Service: 800-367-2810  
Online: [www.ballarddesigns.com](http://www.ballarddesigns.com)

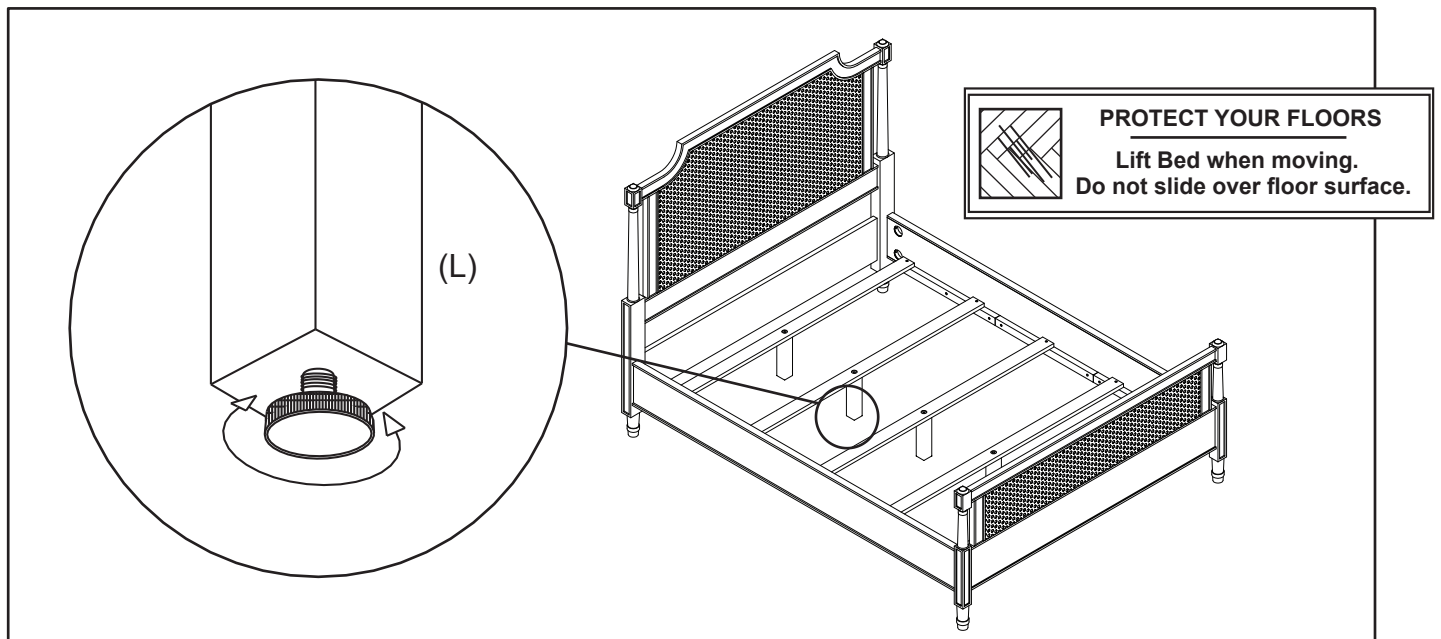
### STEP 3: ATTACH SUPPORT SLATS TO SIDE RAILS

Evenly space Support Slats (K) with ends on the ledge of the Side Rails (J). Use Screws (E) to firmly secure each into place. **NOTE: Slat without Support Leg is placed nearest Footboard to ensure Support Leg is not visible after Bed is fully assembled.**



### STEP 4: ADJUST LEVELERS

If necessary, each Support Slat may be leveled by adjusting Leveler located under each Support Leg (L). Carefully raise off floor and turn clockwise/counterclockwise to adjust.



Customer Service: 800-367-2810  
Online: [www.ballarddesigns.com](http://www.ballarddesigns.com)



#### Cleaning and Care

Periodically dust with a soft, dry cloth.  
Protect surfaces to prevent damage.  
Do not use alcohol based cleaners or polishes.