



BALLARD DESIGNS

Customer Service: 800-367-2810

Online: [www.ballarddesigns.com](http://www.ballarddesigns.com)



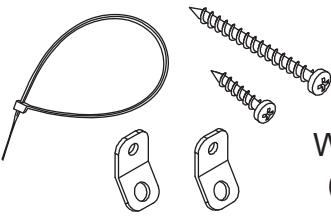
PRODUCT NAME: CF Louis XVI 4 Drawer Nightstand  
ITEM NUMBER: MC042  
ASSEMBLED DIMENSIONS: 30"H x 32"W x 19 1/4"D



PRODUCT NOT INTENDED  
FOR COMMERCIAL USE.  
UPDATED: 7-22-2024

MADE IN ITALY  
Page 1 of 4

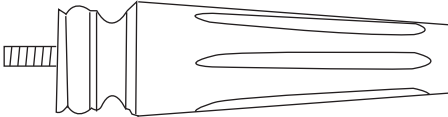
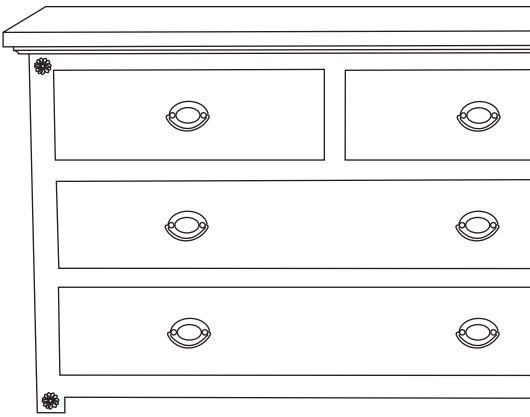
**⚠ Assemble in location for intended use.**

Ltr.	Qty.	Hardware Included
A	2	 <p>Wall Anchoring (Anti-tip) Kits See page 4</p>

**REQUIRED TOOLS:**  
Phillips Screwdriver  
-Two person assembly suggested.

Remove all parts, hardware and protective packaging from carton and carefully arrange on a clean, level, padded surface.

**NOTE:** To avoid accidentally discarding small parts or hardware, retain all carton contents until assembly and installation are complete.

Ltr.	Qty.	Components
B	4	 <p>Legs (B) (Located inside drawer)</p>
C	1	 <p>Table (C)</p>



**WARNING**  
**Tip-Over Hazard**  
ANCHORING HARDWARE INCLUDED

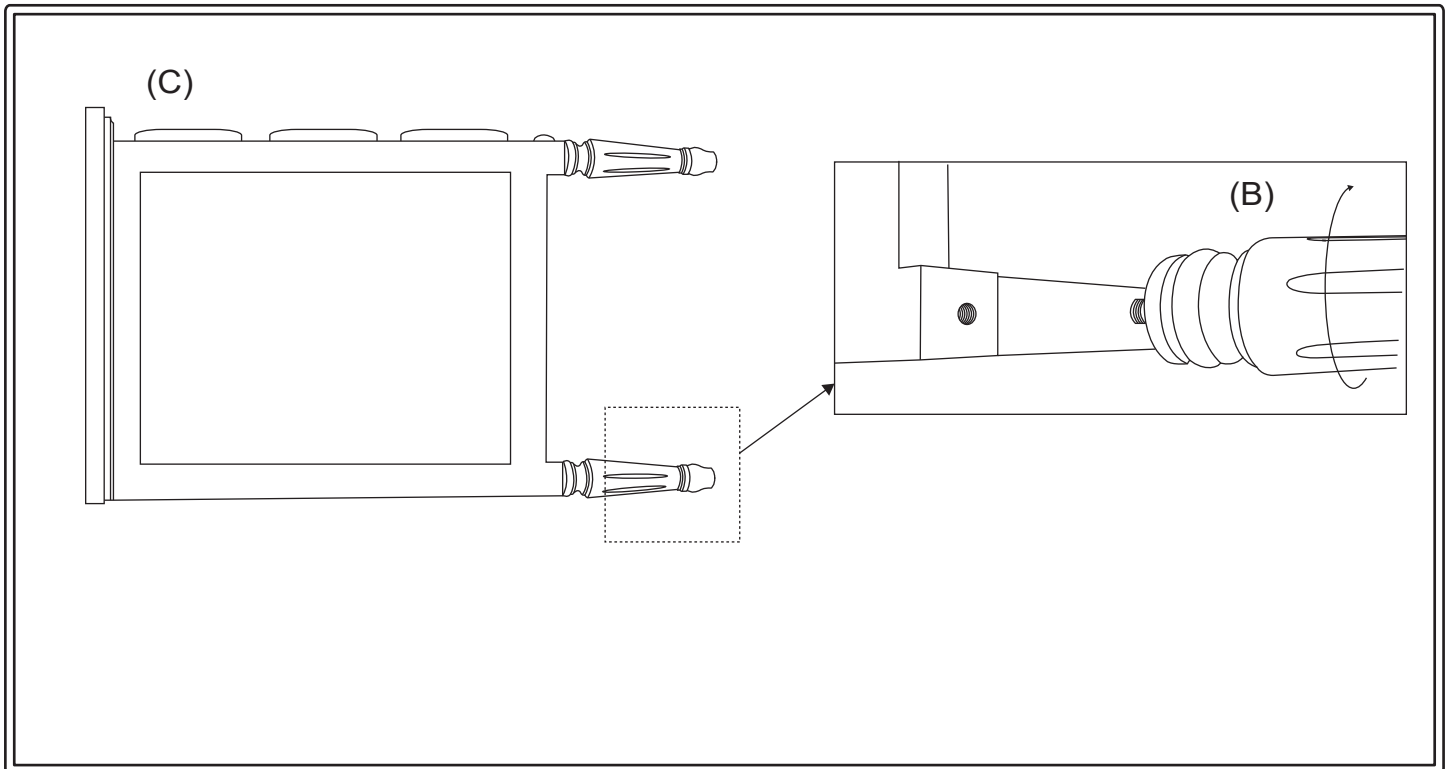
Serious or fatal crushing injuries can occur from a furniture tip-over. Prevent tipping accidents. Anchor your furniture.




**⚠** Assemble in location for intended use.

STEP 1: Onto a clean, level, padded surface, place Table (C) on its back. Insert each Leg (B) into t-nuts embedded in corners. Hand tighten until fully secured. Do not over tighten.

**⚠ CAUTION: Prevent damage. When turning Table upright DO NOT PLACE UNEVEN PRESSURE ON LEGS**

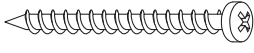

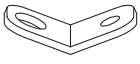



	<b>Cleaning and Care</b>
	Periodically dust with a soft, dry cloth. Protect surfaces to prevent damage. Do not use alcohol based cleaners or polishers.



Customer Service: 800-367-2810  
Online: [www.ballarddesigns.com](http://www.ballarddesigns.com)

## WALL ANCHORING HARDWARE (ANTI-TIP)

Ltr.	Qty.	Hardware Included
A	2	 Large Screw
B	2	 Small Screw
C	4	 Bracket
D	2	 Retention Belt



### Installation:

1. Place furniture against wall at desired location then locate and mark a Wall Stud behind unit.
2. Corresponding to Stud location, attach one Bracket (C) to back of unit using Small Screw (B).
3. To keep hardware out of view after installation, attach remaining Bracket (C) **INTO WALL STUD** with Large Screw (A) 2 inches below Bracket attached to back of unit.
4. Move unit into place, align Brackets then connect both using Retention Belt (D).
5. Confirm Belt is securely laced and locked.

