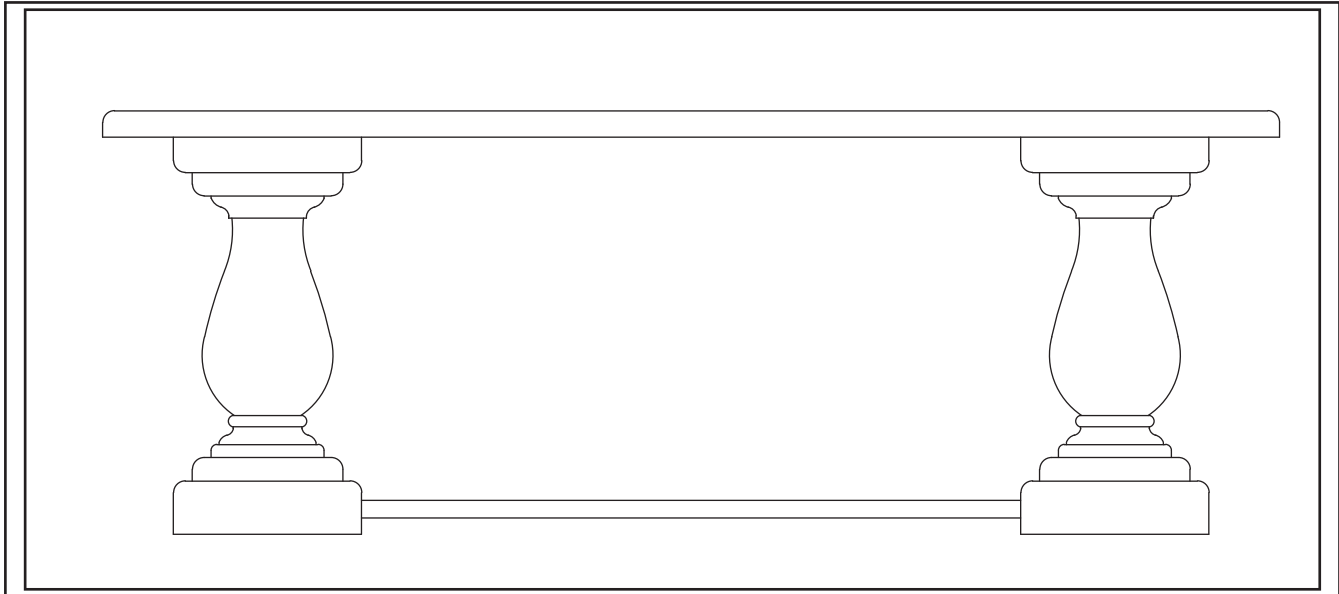
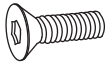



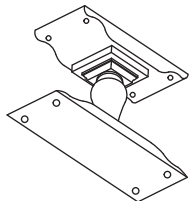





PRODUCT NAME: Reagan Coffee Table
ITEM NUMBER: ME108
ASSEMBLED DIMENSIONS : 18"H x 50"W x 30"D



Ltr.	Qty.	Hardware/Components Included	
A	12		Allen Screws
B	1		Allen Wrench
C	8		Washers
D	1		Top
E	2		Leg Assemblies
F	1		Stretcher

REQUIRED TOOLS:
Allen Wrench (included)
-Two person assembly suggested.



Prevent accidentally discarding small parts or hardware.
Retain all carton contents until assembly and installation are complete.

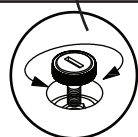
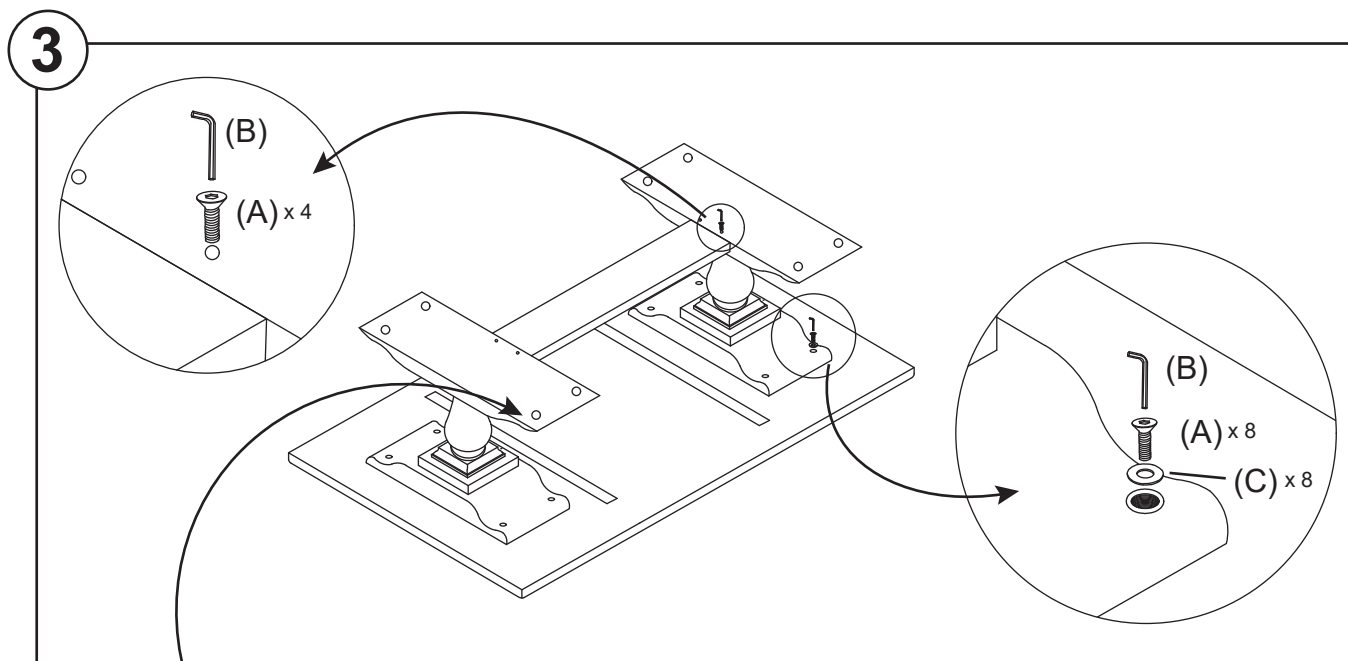
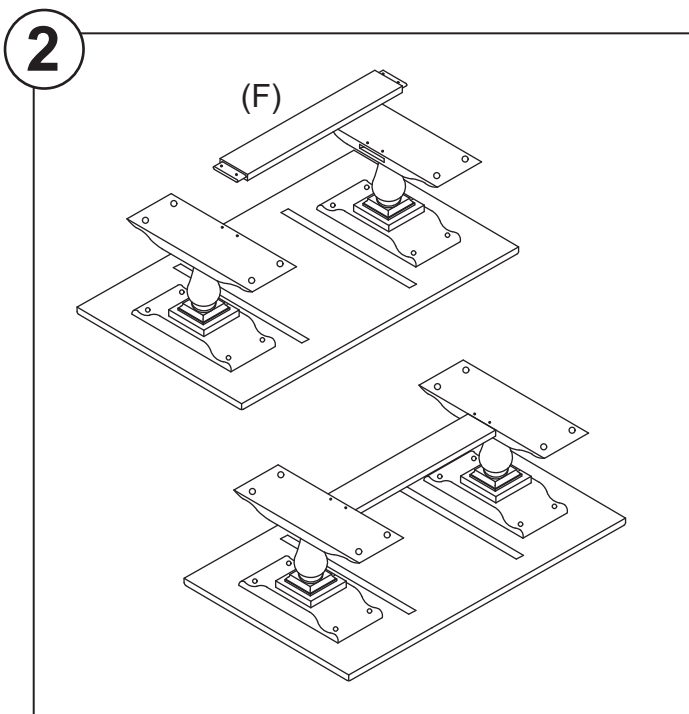
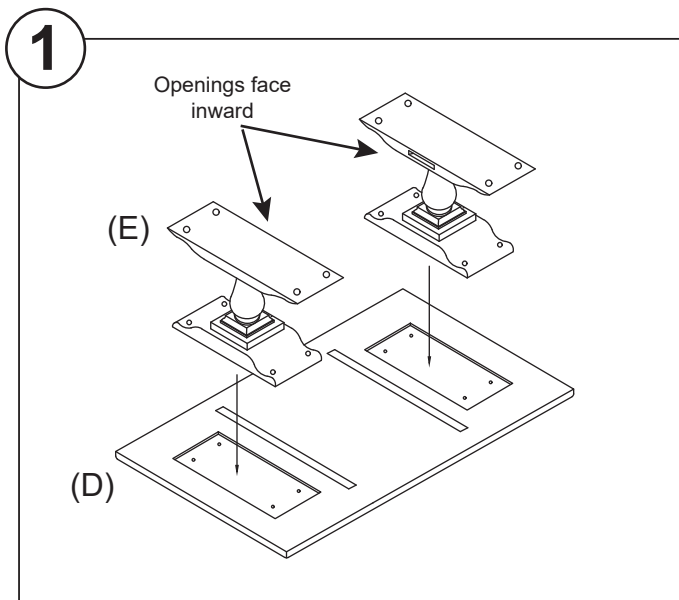


Cleaning and Care

Periodically dust with a soft, dry cloth.
Prevent finish damage: do not use alcohol based cleaners or polishers. Promptly remove spills.

▲ Assemble in location for intended use.

ASSEMBLY: 1. Invert Top (D) onto a level, padded surface then orient Leg Assemblies (E) as illustrated and fit into cut-out sections in Top. Be certain openings on each side face inward. **2.** Fit tabbed ends of Stretcher (F) into openings in side of Leg Assemblies then insert Allen Screws (A) and tighten with Allen Wrench. **3.** Secure Leg Assemblies to Top using Allen Screws with Washer (C) and fully tighten using Allen Wrench. Carefully set assembled Table upright and adjust Levelers as necessary.



LEVELERS: Table is equipped with Rotary Levelers installed under each corner/leg. If necessary, adjustments may be made by carefully lifting applicable corner and turning Leveler clockwise/counterclockwise.



Customer Service: 800-367-2810
Online: www.ballarddesigns.com