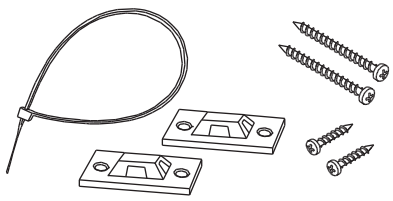


PRODUCT NAME: Grace Jewelry Cabinet
ITEM NUMBER: ML047
ASSEMBLED DIMENSIONS : 48"H x 24"W x 20"D

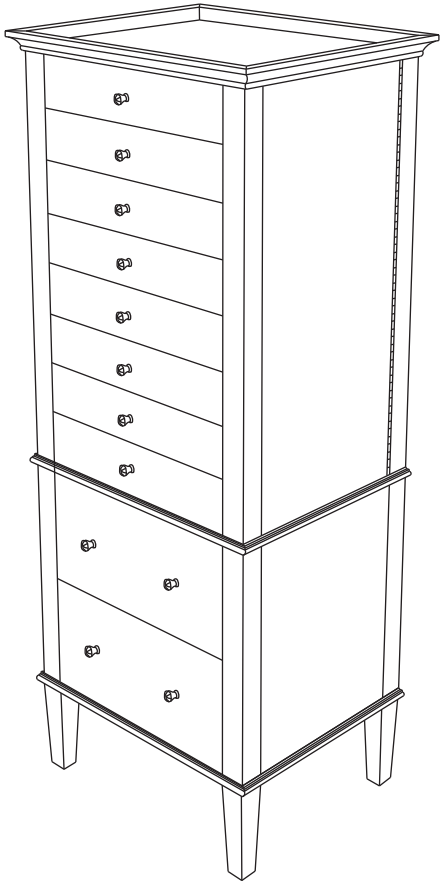
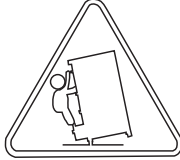


Ltr.	Qty.	Hardware Included
A	2	 <p>Wall Anchoring Anti-Tip Hardware (Page 4)</p>

REQUIRED TOOLS:
 - Phillips Screwdriver
 - Two person assembly suggested.

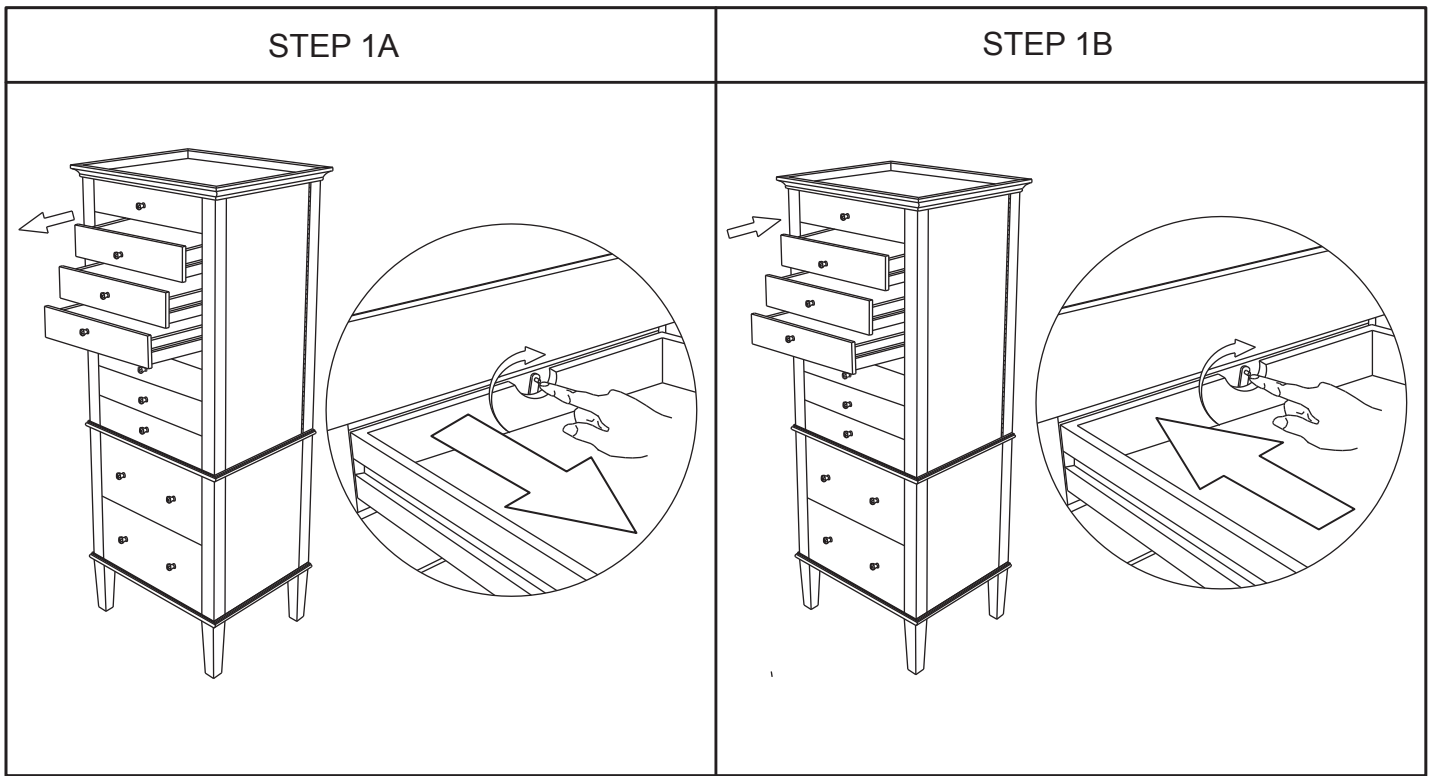
Remove all parts, hardware and protective packaging from carton and carefully arrange on a clean, level, padded surface.

NOTE: To avoid accidentally discarding small parts or hardware, retain all carton contents until assembly and installation are complete.

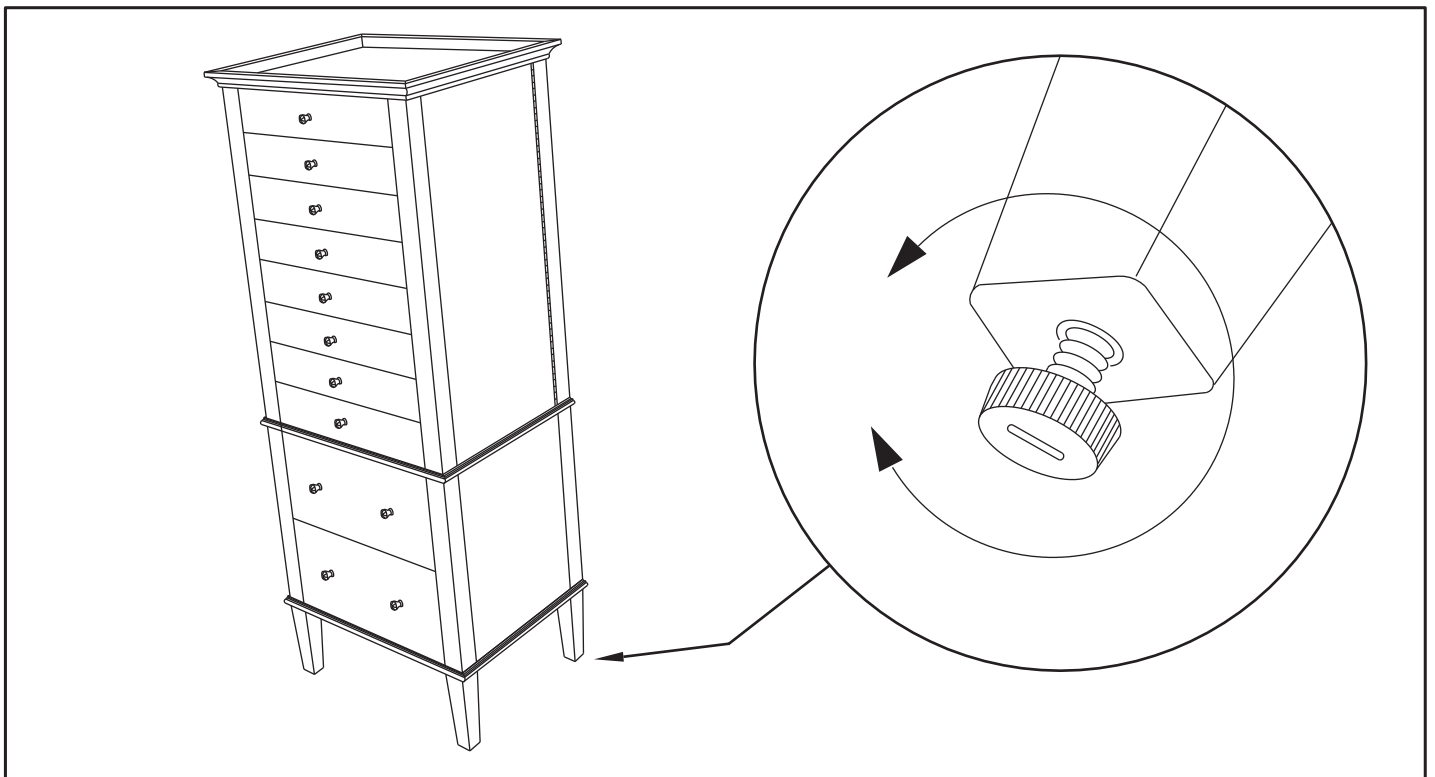
Ltr.	Qty.	Components
B	1	 <div data-bbox="868 735 1518 997" style="border: 1px solid black; padding: 5px;">  <p>WARNING Tip-Over Hazard ANCHORING HARDWARE INCLUDED</p> <p>Serious or fatal crushing injuries can occur from a furniture tip-over Prevent tipping accidents. Anchor your furniture.</p> </div> <p>Jewelry Cabinet (B)</p>

STEP 1A: Remove drawer by pulling out until stopped. Press down metal tab in back center of drawer then pull drawer completely out.



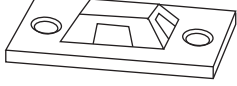
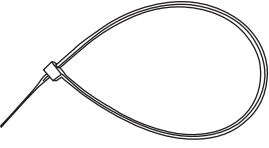
STEP 1B: Replace drawer by aligning glides inside cabinet opening. Press down metal tab while gently pushing inward on drawer.



STEP 2: Cabinet is equipped with Rotary Levelers located under each leg. If necessary, Cabinet may be leveled by carefully tipping corner then turning Leveler clockwise/counterclockwise.



WALL ANCHORING (ANTI-TIP) HARDWARE INSTALLATION

Ltr.	Qty.	Included Hardware
C	4	 Small Screws
D	4	 Large Screws
E	4	 Brackets
F	2	 Retention Belt

WARNING
Tip-Over Hazard
WALL BRACKET MUST BE ATTACHED TO WALL STUD
 Prevent tipping accidents. Anchor your furniture.

Installation:

1. Locate and mark a **Wall Stud** behind unit at location for installation.
2. Corresponding to Stud location, attach one Bracket (E) to back of unit using Small Screw (C).
3. To keep hardware out of view after installation, attach remaining Bracket (E) **INTO WALL STUD** with Large Screw (D) 2 inches below Bracket attached to back of unit.
4. Move unit into place, align Brackets then connect both using Retention Belt (F).
5. Confirm Belt is securely laced and locked.

