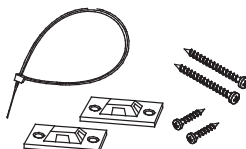




PRODUCT NAME: Grace Open 2 Drawer Nightstand  
ITEM NUMBER: MN019  
ASSEMBLED DIMENSIONS : 29"H x 32"W x 18"D




**REQUIRED TOOLS:**  
Phillips Screwdriver  
-Two person assembly suggested.

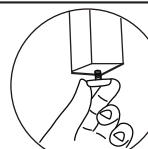
Qty.	Hardware Included
2	 <p>Wall Anchoring (Anti-tip) Kit See page 2</p>




**WARNING**  
**Tip-Over Hazard**  
ANCHORING HARDWARE INCLUDED

Serious or fatal crushing injuries can occur from a furniture tip-over. Prevent tipping accidents. Anchor your furniture.







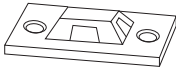

**LEVELERS:** Legs are equipped with Rotary Levelers installed under each. If necessary, adjustments may be made by turning Leveler clockwise/counterclockwise.



**Cleaning and Care**

Periodically dust with a soft, dry cloth.  
Prevent finish damage: do not use alcohol based cleaners or polishers. Promptly remove spills.

## WALL ANCHORING HARDWARE (ANTI-TIP)

Ltr.	Qty.	Hardware Included	
A	4		Small Screw
B	4		Large Screw
C	4		Bracket
D	2		Retention Belt



1. Place furniture against wall at desired location then locate and mark a Wall Stud behind unit.
2. Corresponding to Stud location, attach one Bracket (C) to back of unit using Small Screws (A).
3. To keep hardware out of view after installation, attach remaining Bracket (C) **INTO WALL STUD** with Large Screws (B) 2 inches below Bracket attached to back of unit.
4. Move unit into place, align Brackets then connect both using Retention Belt (D).
5. Confirm Belt is securely laced and locked.

