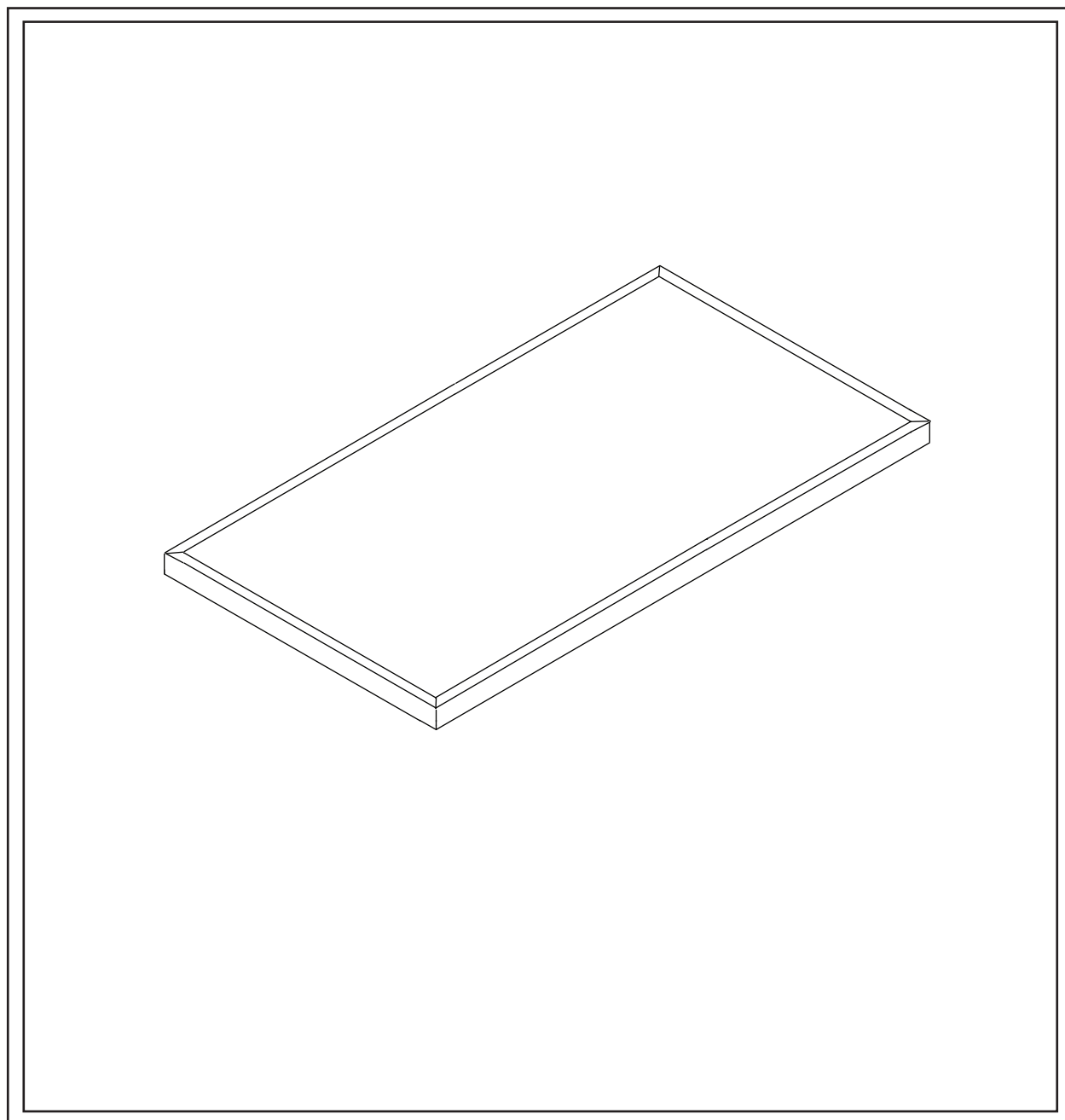


PRODUCT NAME: Original Home Office™ 34" Work Surface Top

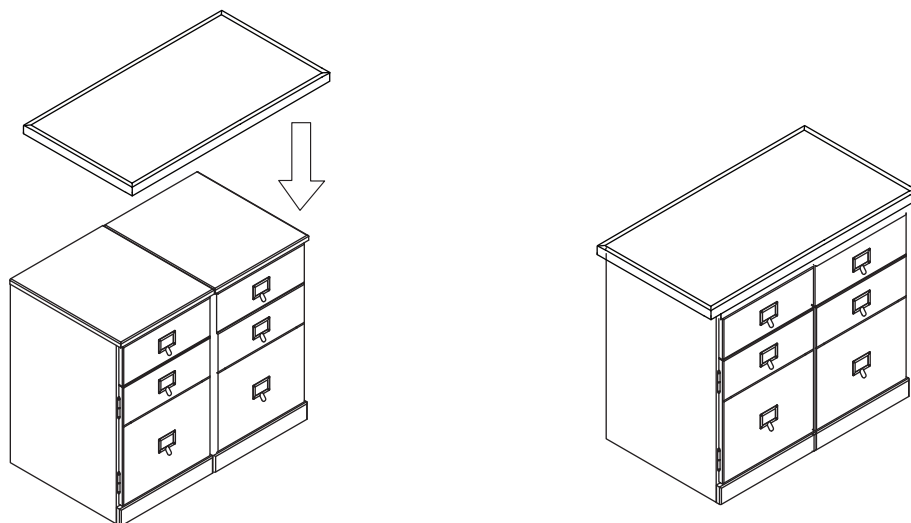
ITEM NUMBER: MO235

ASSEMBLED DIMENSIONS : 1 1/2"H x 33 1/2"W x 20 1/2"D

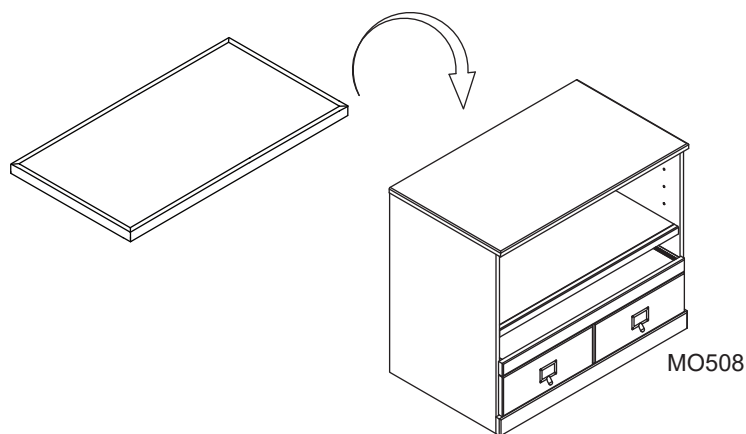


**⚠ Assemble in location for intended use.
NO TOOLS REQUIRED**

Slide two *Cabinets together then carefully place Work Surface over both.



2 Unit Work Surface also designed for use with
Original Home Office Printer *Cabinet (MO508).



* Cabinets sold separately

ANTI-TIP/WALL ANCHORING HARDWARE

- ⚠** Wall Anchoring Hardware must be used with Cabinet Bases. Brackets must be securely installed into wood on Cabinet back. If not anchored into wood, screw may pull out during a tip-over.
- ⚠** To ensure Work Surface Top lays level, install Anchoring Brackets just below back bottom edge of Work Surface Top.