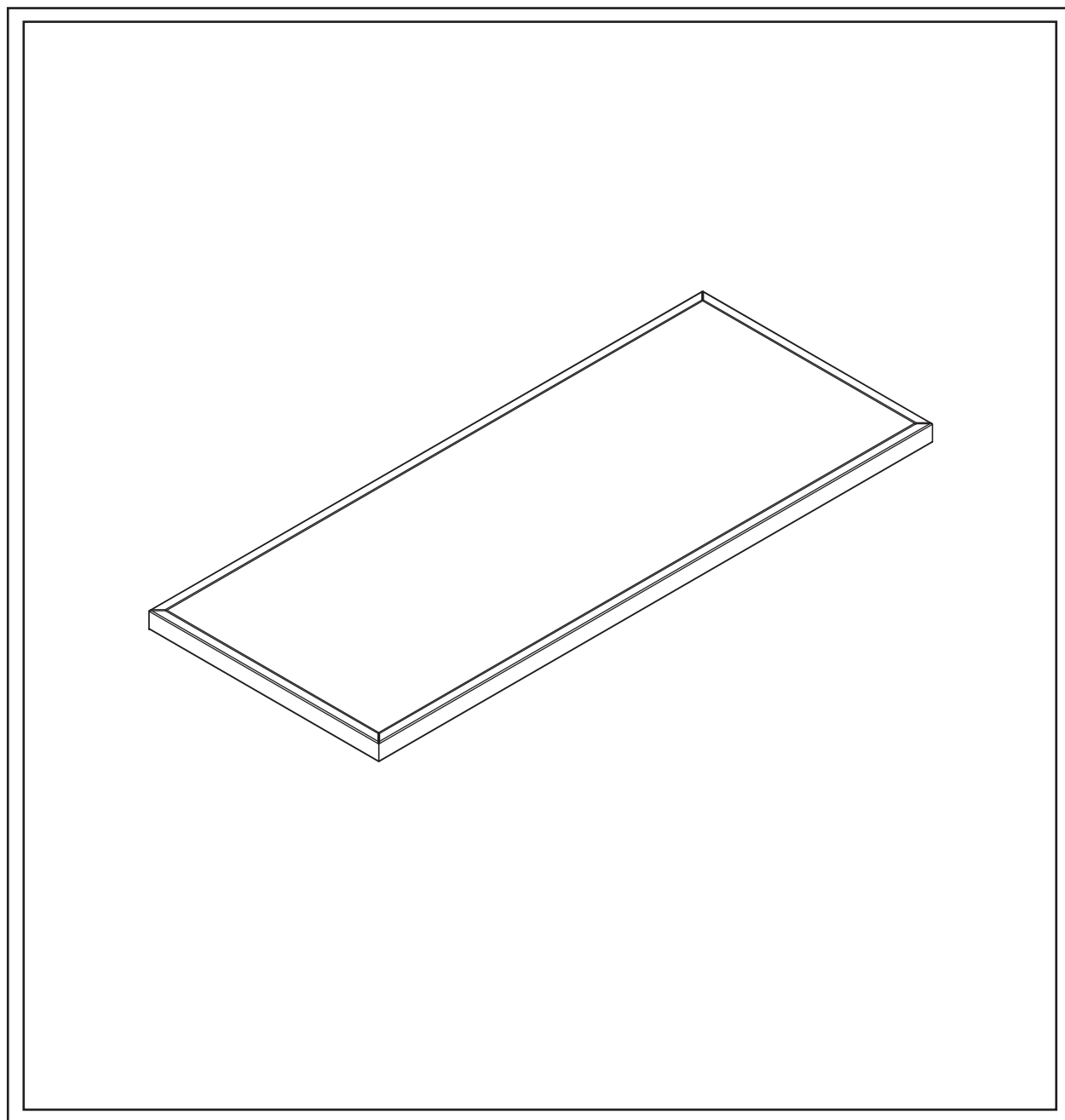


PRODUCT NAME: Original Home Office™ 50" Work Surface Top

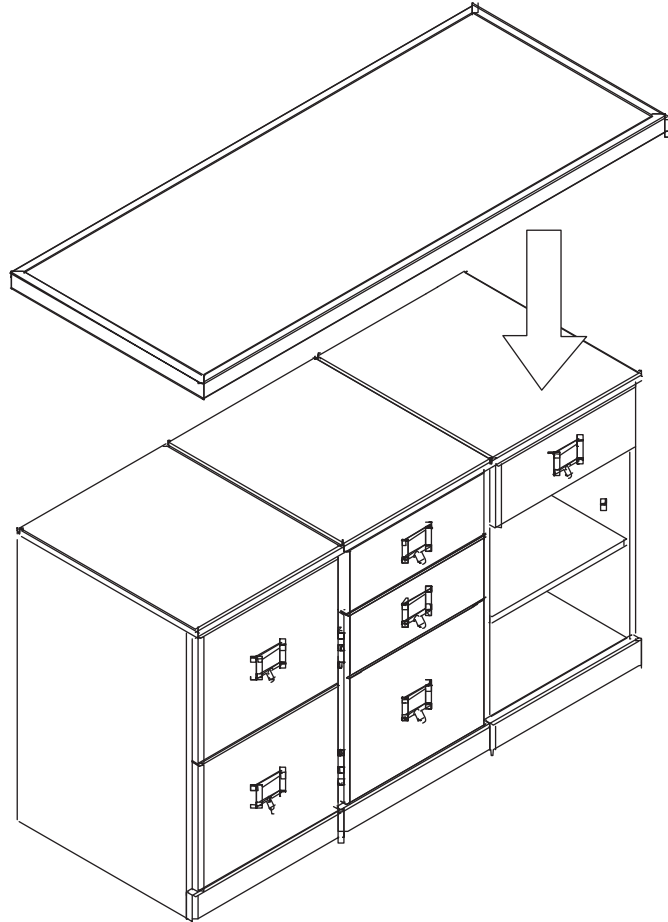
ITEM NUMBER: MO236

ASSEMBLED DIMENSIONS : 1 1/2"H x 49 1/2"W x 20 1/2"D



**⚠ Assemble in location for intended use.
NO TOOLS REQUIRED**

Slide three *Cabinets together then carefully place Work Surface over both.



* Cabinets sold separately. Configuration is optional.

ANTI-TIP/WALL ANCHORING HARDWARE

- ⚠** Wall Anchoring Hardware must be used with Cabinet Bases. Brackets must be securely installed into wood on Cabinet back. If not anchored into wood, screw may pull out during a tip-over.
- ⚠** To ensure Work Surface Top lays level, install Anchoring Brackets just below back bottom edge of Work Surface Top.