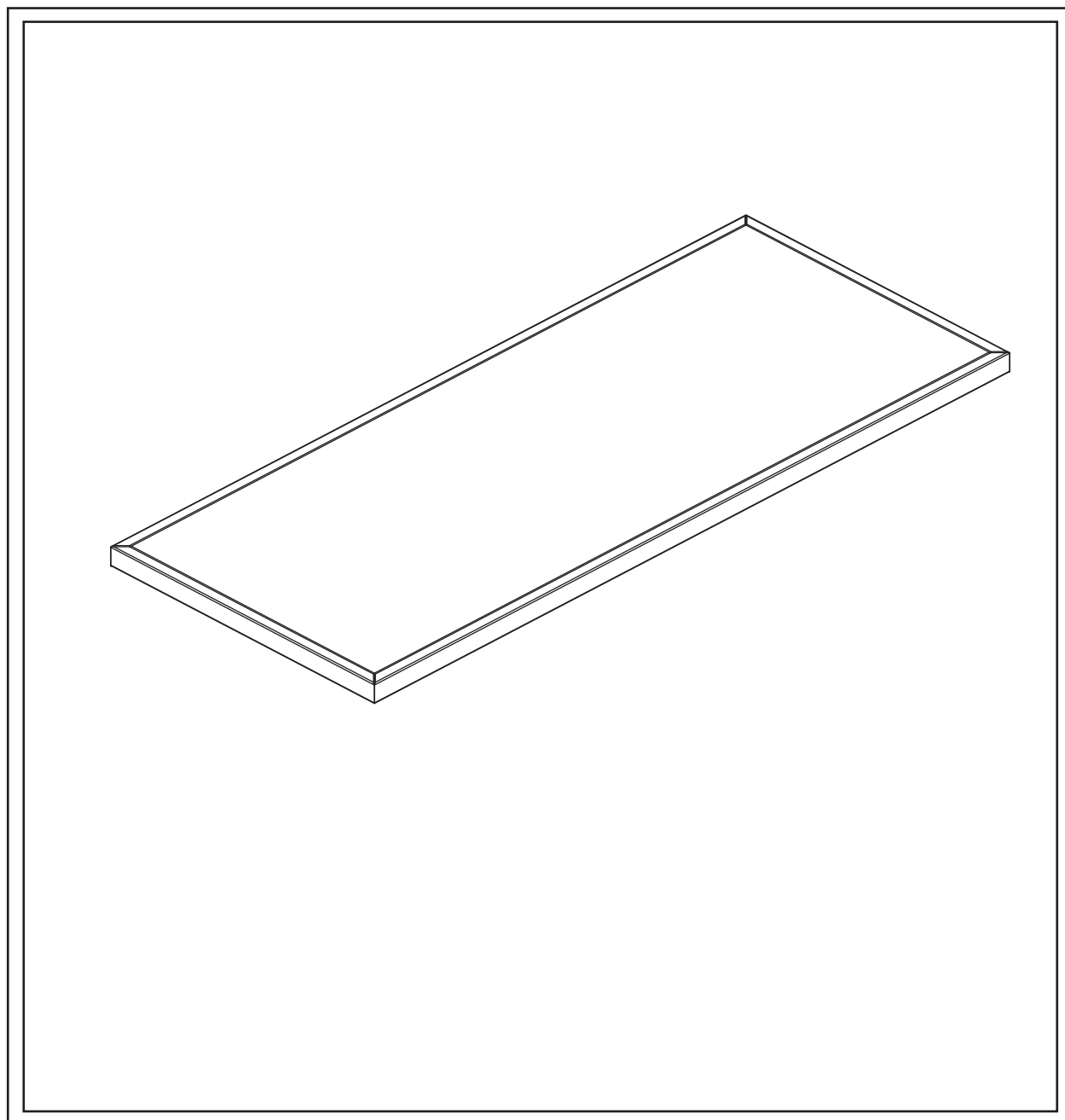


PRODUCT NAME: Original Home Office™ 66" Work Surface Top

ITEM NUMBER: MO237

ASSEMBLED DIMENSIONS : 1 1/2"H x 66"W x 20 1/2"D

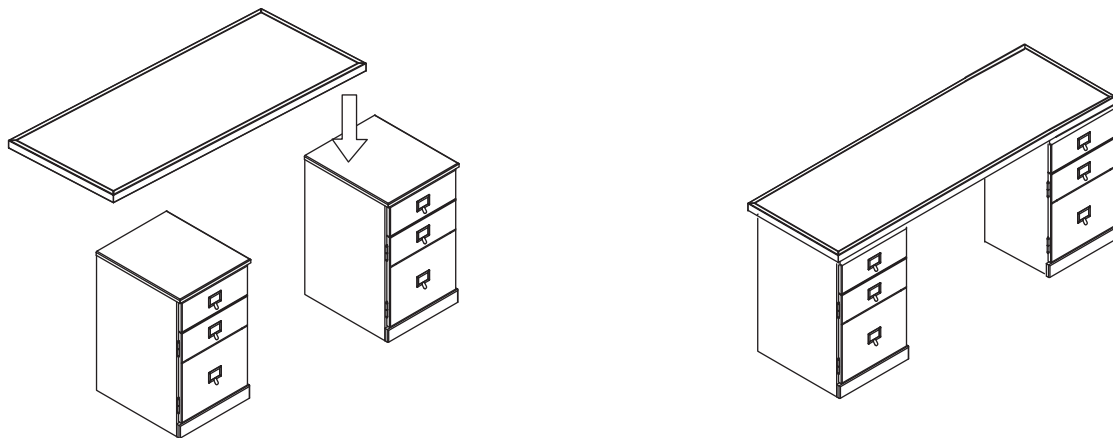
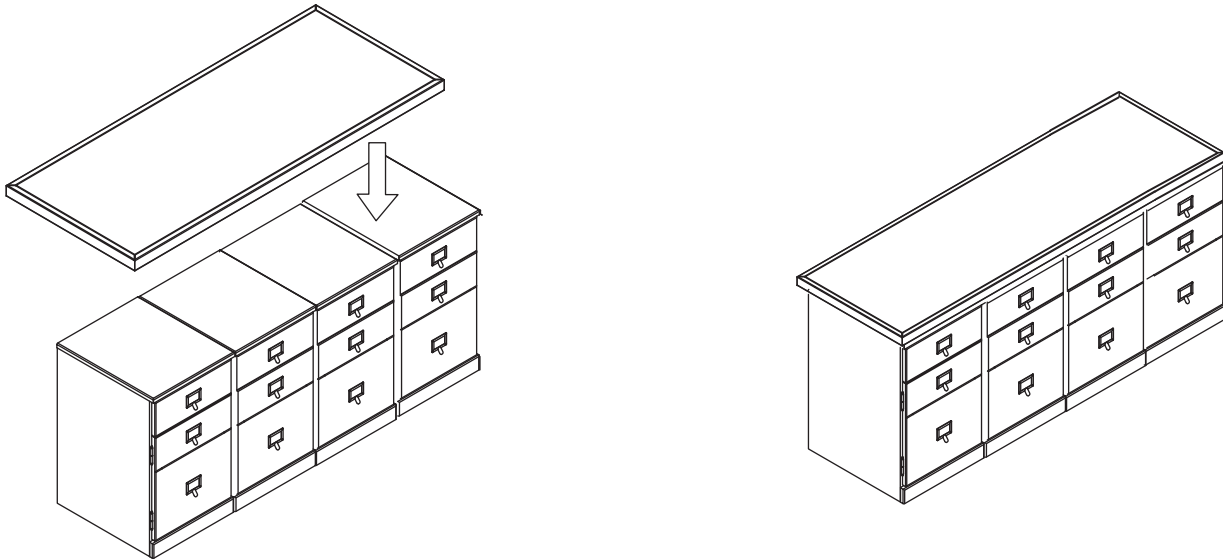


⚠ Assemble in location for intended use.

NO TOOLS REQUIRED

Slide *Cabinets together then carefully place Work Surface over both.

NOTE: Original Home Office 4 Unit Work Surface may be used with two or four Cabinets to create a desk or credenza.



* Cabinets sold separately. Configuration is optional.

ANTI-TIP/WALL ANCHORING HARDWARE

- ⚠ Wall Anchoring Hardware must be used with Cabinet Bases. Brackets must be securely installed into wood on Cabinet back. If not anchored into wood, screw may pull out during a tip-over.
- ⚠ To ensure Work Surface Top lays level, install Anchoring Brackets just below back bottom edge of Work Surface Top.