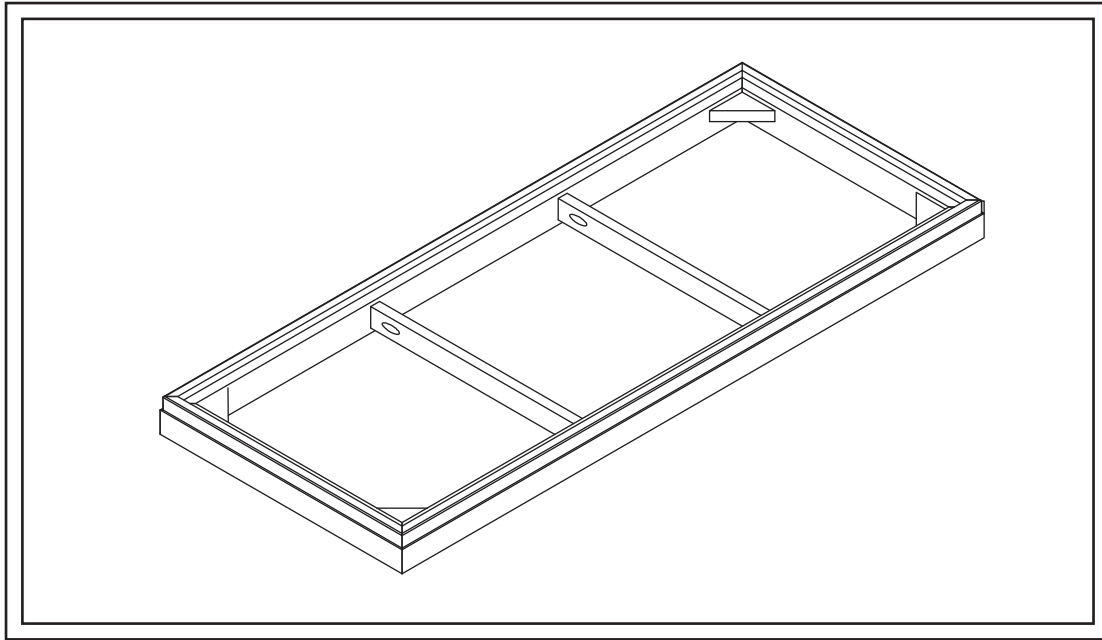




PRODUCT NAME: Original Home Office™ Riser Plinth Base for 3 Cabinet Credenza  
ITEM NUMBER: MO355 THR  
ASSEMBLED DIMENSIONS: 2 3/4"H x 49 1/2"W x 20 1/2"D



Arrange Original Home Office™ Cabinets (B) (sold separately/style configuration optional). Place Plinth Base (A) upright on level floor then set Cabinets into Base.

