

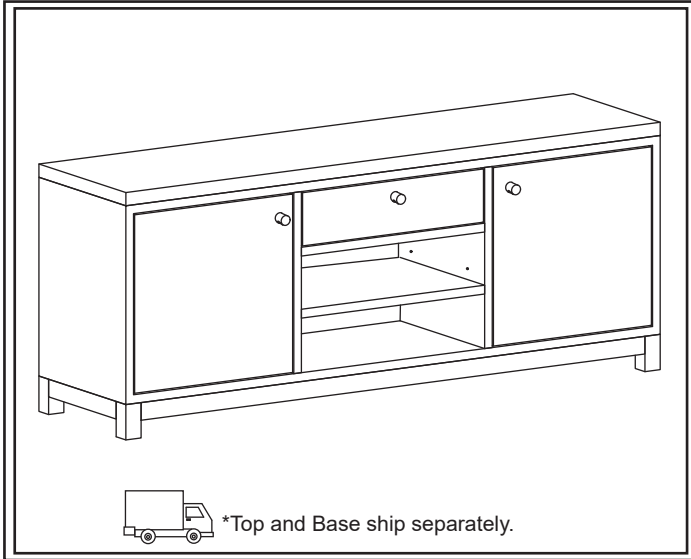


PRODUCT NAME: Ansley Credenza
ITEM NUMBER: MO656 (*MO651/MO652)
ASSEMBLED DIMENSIONS : 27.5”H x 70”W x 18”D



REQUIRED TOOLS:

Allen Wrench (included)
-Two person installation suggested.



Ltr.	Qty.	Hardware Included	
A	8		Allen Bolts
B	8		Flat Washers
C	1		Allen Wrench
D	12		Shelf Supports
E	2		Wall Anchoring (Anti-tip) Kits See Page 3

Ltr.	Qty.	Components Included	
F	1	Marble Top (F)	
G	1	Base (G)	
H	3	Shelves (H)	



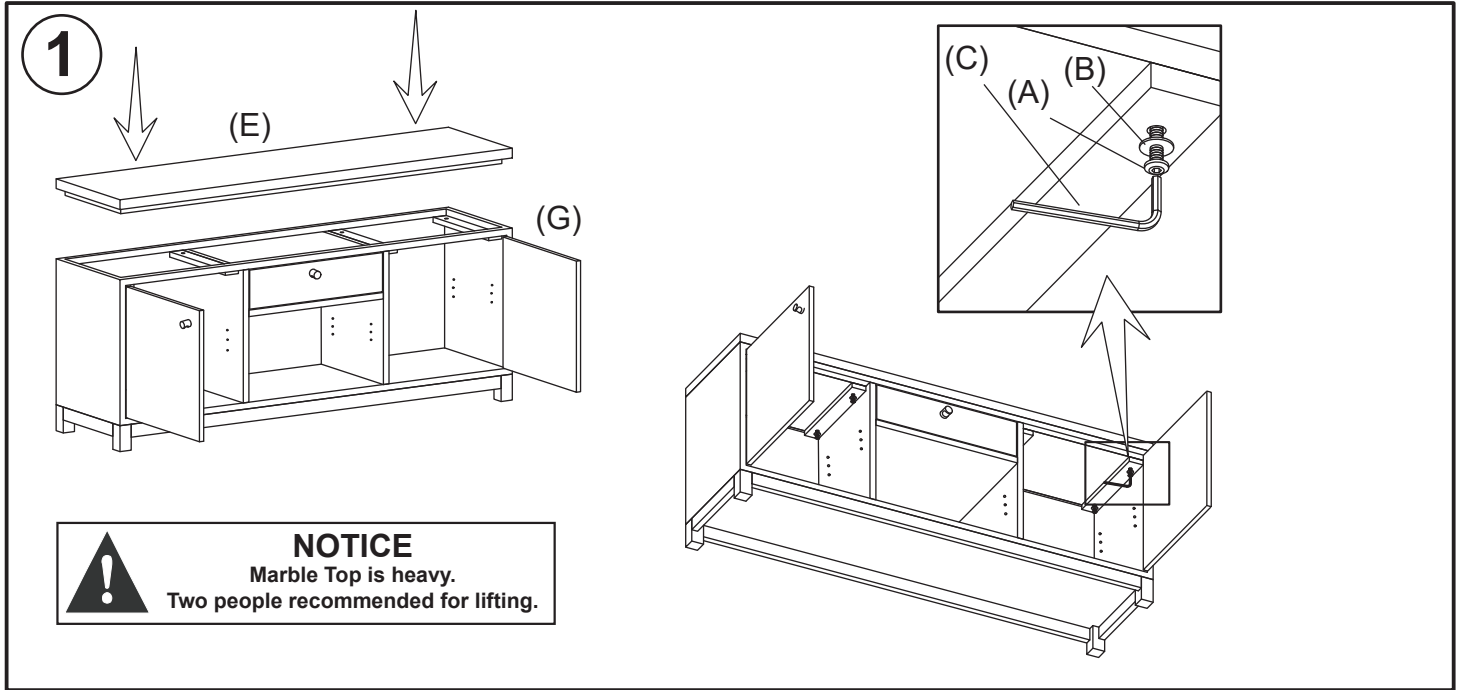
Cleaning and Care

Periodically dust surface once or twice a week with a soft cloth.
Periodically wash marble with a cloth dampened with warm water.
Do not use harsh chemicals, abrasives or polishers.

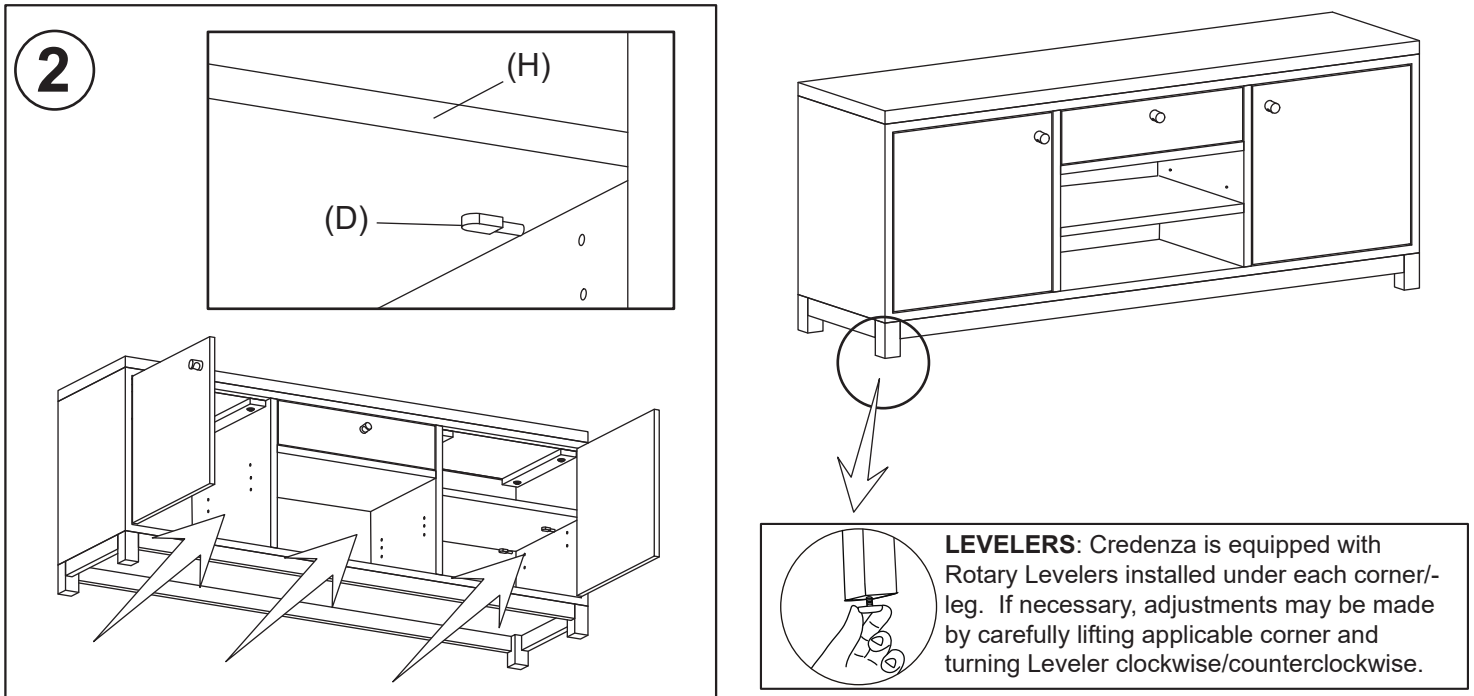
⚠ Assemble in location for intended use.

STEP 1: Set Base (G) upright in location for use. Carefully lift Marble Top (E) and place onto Base. Align holes then insert Allen Bolt (A) with Lock Washer (B). Tighten using Allen Wrench (C).

CAUTION: Do not over-tighten Bolts.



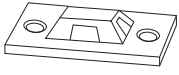



STEP 2: Determine location for each Shelf (H) then insert Shelf Supports (D) into corresponding pre-drilled holes. Set each Shelf level upon supports.



Customer Service: 800-367-2810
Online: www.ballarddesigns.com

WALL ANCHORING HARDWARE (ANTI-TIP)

Ltr.	Qty.	Hardware Included	
A	4		Small Screw
B	4		Large Screw
C	4		Bracket
D	2		Retention Belt



1. Place furniture against wall at desired location then locate and mark a Wall Stud behind unit.
2. Corresponding to Stud location, attach one Bracket (C) to back of unit using Small Screws (A).
3. To keep hardware out of view after installation, attach remaining Bracket (C) **INTO WALL STUD** with Large Screws (B) 2 inches below Bracket attached to back of unit.
4. Move unit into place, align Brackets then connect both using Retention Belt (D).
5. Confirm Belt is securely laced and locked.

