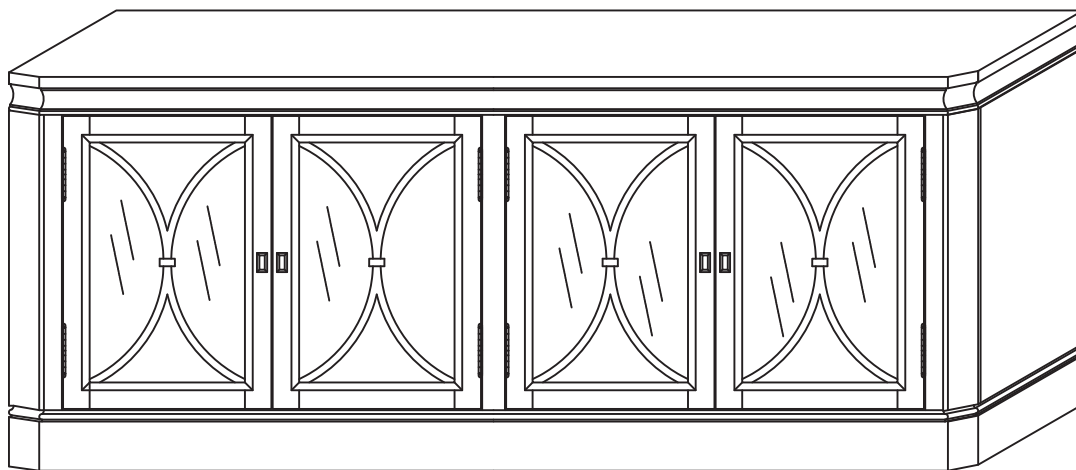
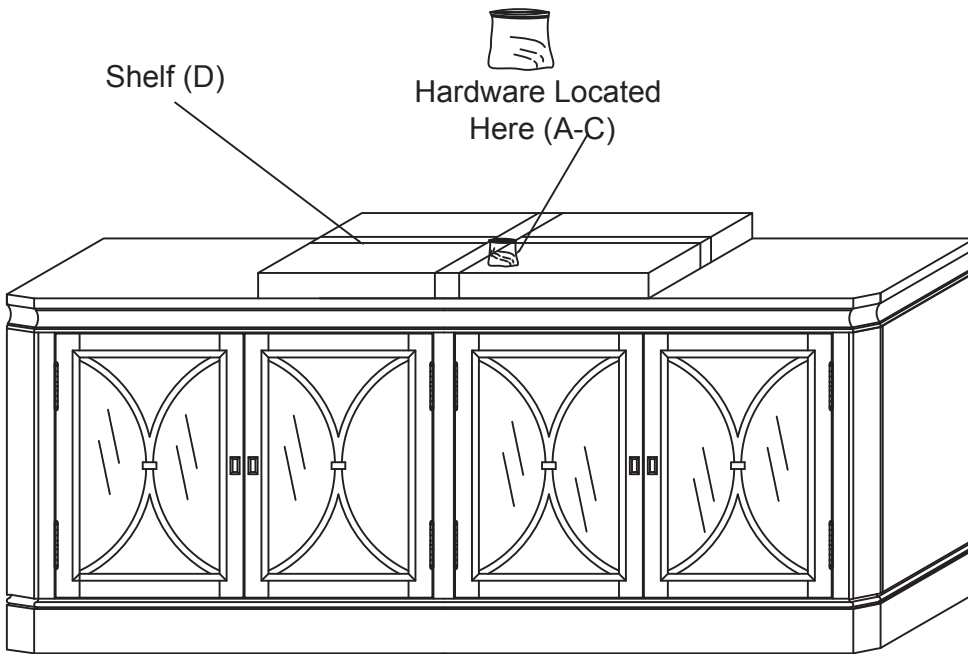


PRODUCT NAME: SINCLAIRE MEDIA CONSOLE  
ITEM NUMBER:MQ012  
DIMENSIONS OF ITEM ASSEMBLED: 26"H x 64"W X 16"D



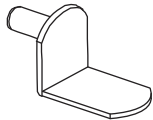
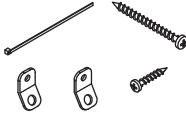

NOTE: Assemble the Console in desired location for use.

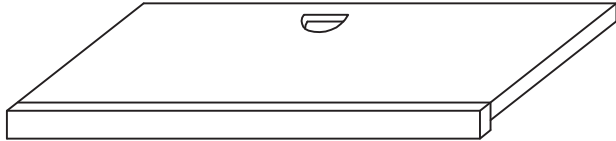


**TOOLS NEEDED:**

- Requires a screwdriver.
- Power drill suggested.
- Assembly requires 2 or more people.

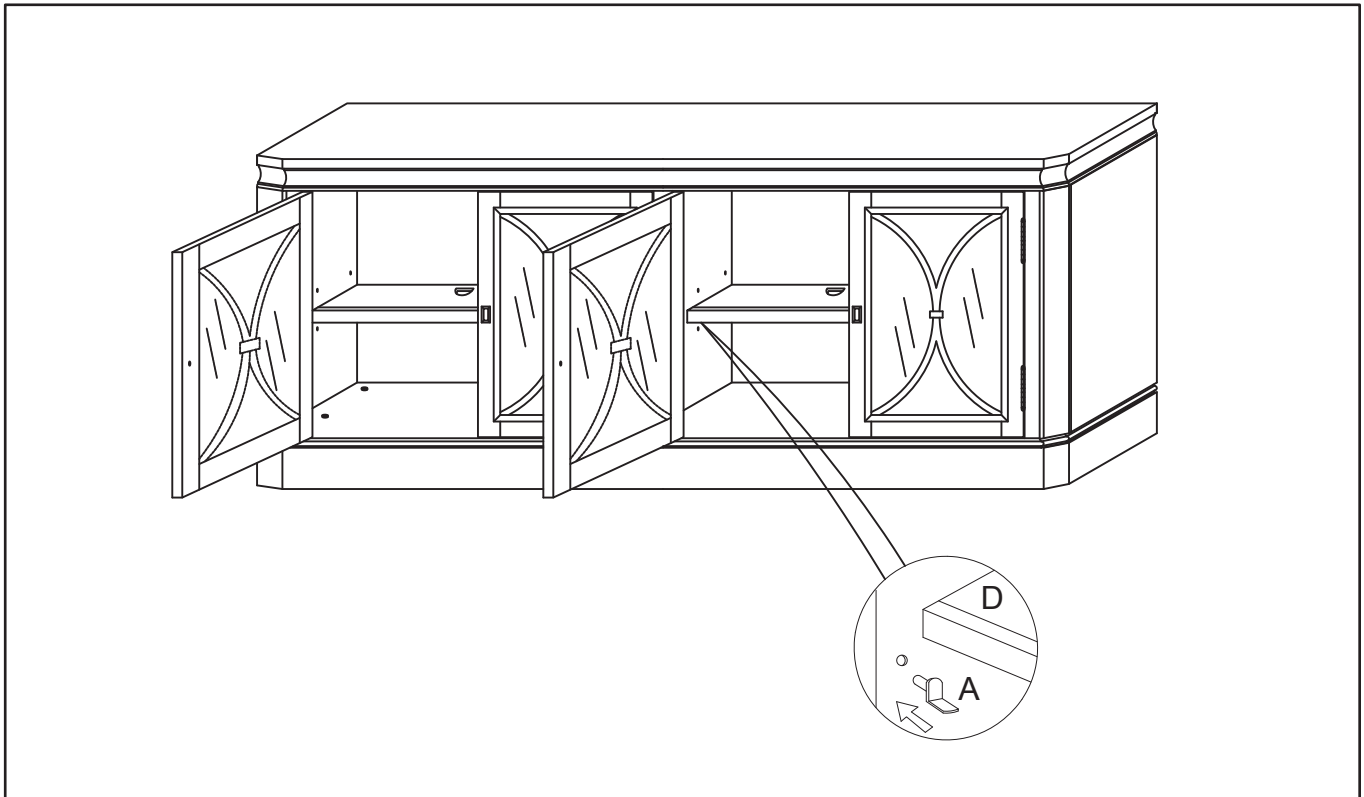
NOTE: When unpacking, lay the parts on a padded surface such as the packaging provided. Be sure to locate all hardware before throwing away any packaging.

Ltr.	Qty.	Hardware Included	
A	8		Shelf Supports
B	2		Anti Tip Kit
C	4		Wood Plugs

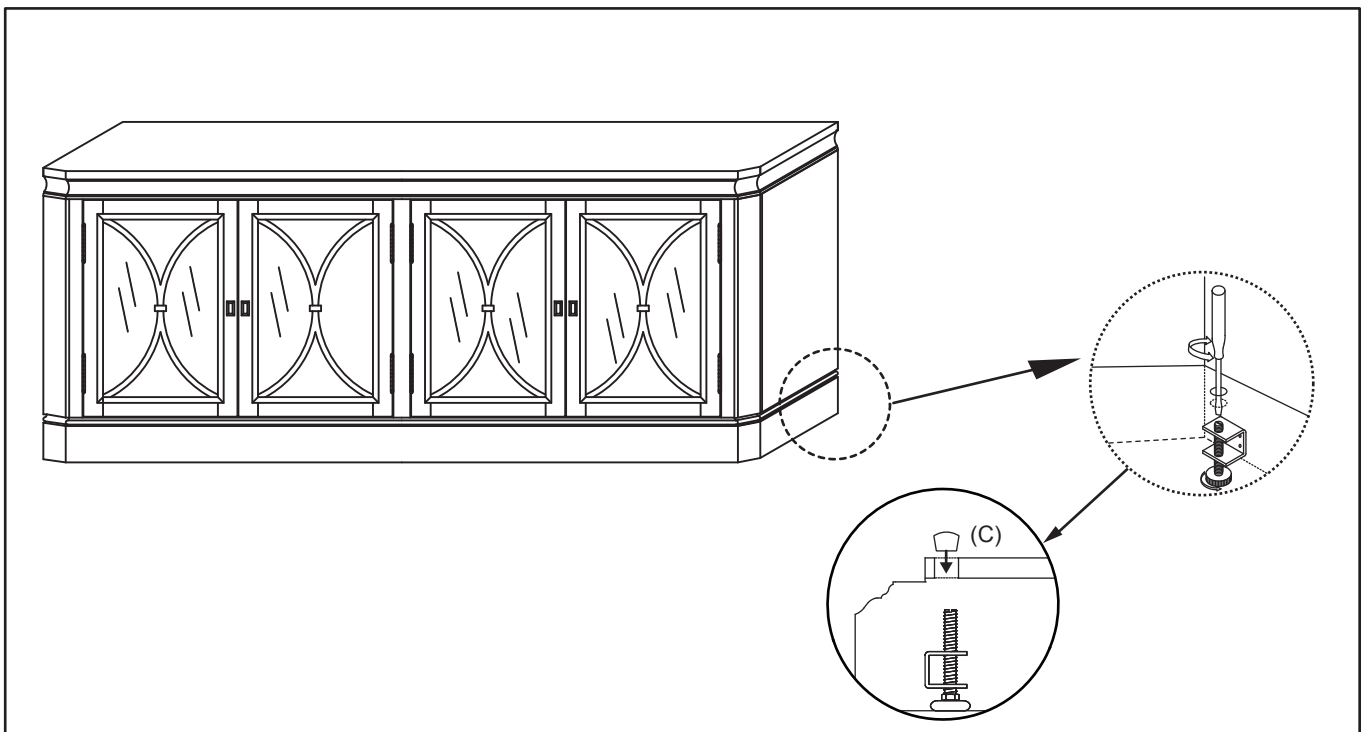
Ltr.	Qty.	Components	
D	2		Shelf (D)

NOTE: Assemble the Console in desired location for use.

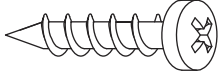
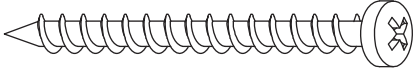
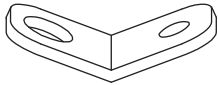
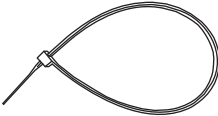
STEP 1: Place the Shelf Supports (A) at the desired Shelf heights and lay the Shelves (D) on the Supports.



STEP 2: If the Console is uneven, adjust the levelers inside the bottom corners of the Console by using a flat head screwdriver. Turn clockwise or counterclockwise until the unit sits evenly. Cover the leveler holes with the wood plugs (C).



**ANTI TIP INSTALLATION: PART B**

Ltr.	Qty.	Hardware Included	
E	2		Small Screw
F	2		Large Screw
G	4		Brackets
H	2		Retention Belt

Attach a Bracket (G) to the back of the Wine Rack with the Small Screw (E) through the smaller hole. Then screw in the remaining Bracket (G) to the wall stud with the Large Screw (F) 2 inches below the Bracket attached to the furniture. Align the Brackets vertically and string in the Retention Belt (H). Confirm Strap is securely laced and locked.

