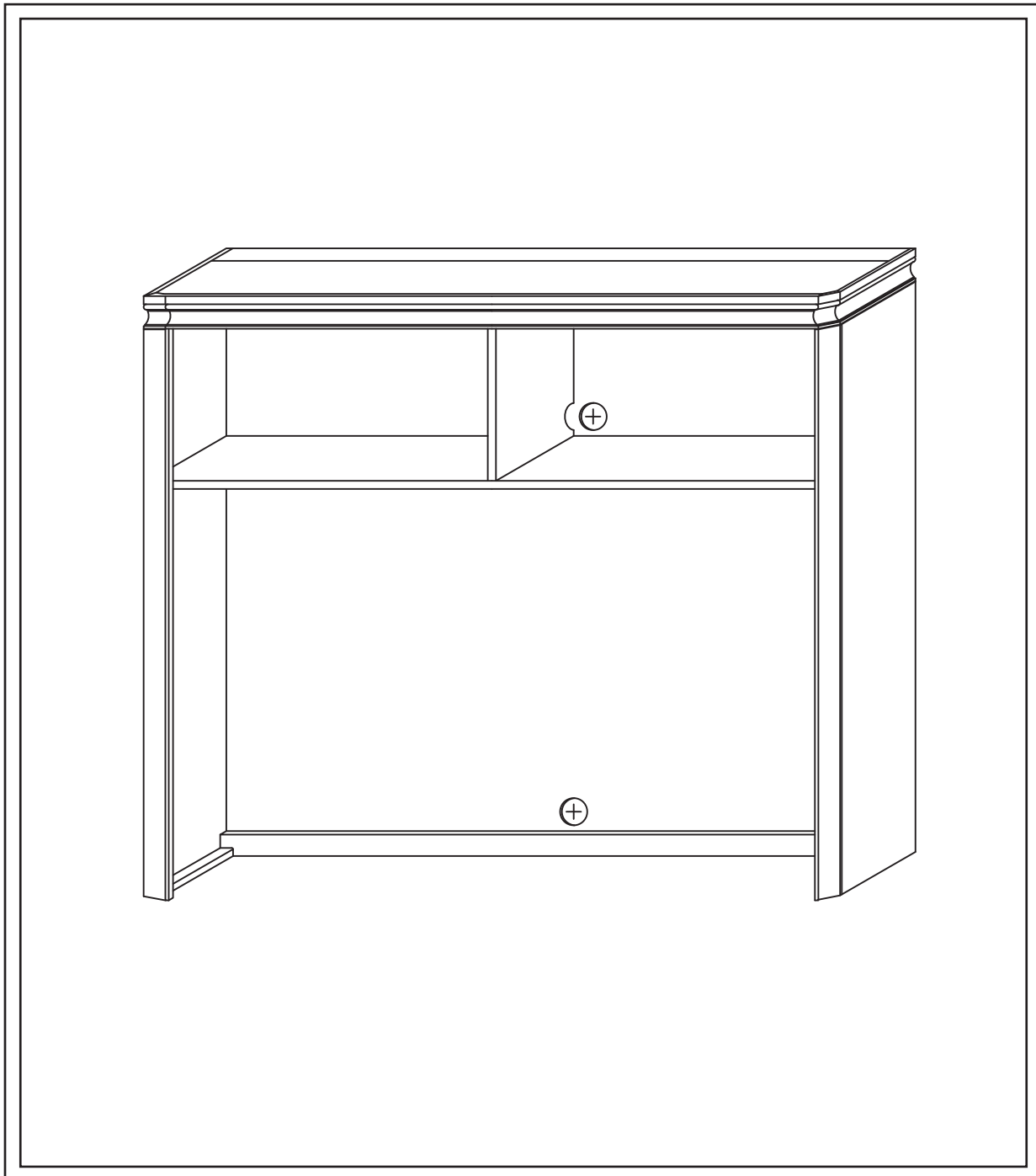
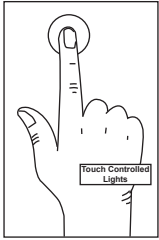




PRODUCT NAME: SINCLAIRE MEDIA HUTCH  
ITEM NUMBER: MQ103  
ASSEMBLED DIMENSIONS: 81 1/2" H x 64"W x 16"D



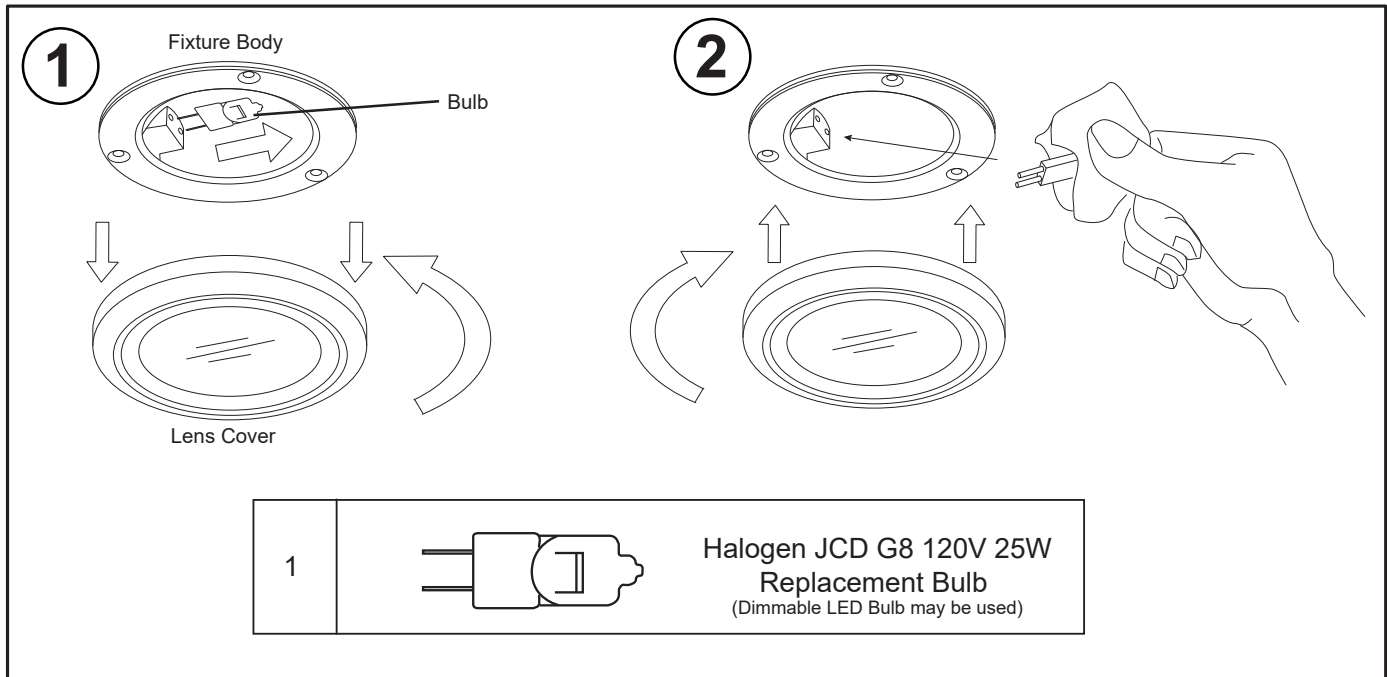
**⚠ Assemble in location for intended use.**



**Hutch lights are controlled by touching metal plate mounted in the top front inside of the hutch compartment. Plug lights into a standard outlet.**

## Bulb Replacement

1. Unplug Fixture. Carefully remove Lens Cover from Fixture Body by gripping edges and turning counterclockwise and pulling down. Remove bulb by gripping and pulling pins from socket.
2. Grip new bulb with tissue covered fingers and push pins into Socket. Replace Lens Cover. Plug in.



### TOOLS NEEDED:

- Requires a screwdriver.
- Power drill suggested.

-Assembly requires 2 or more people.

**NOTE:** When unpacking, lay the parts on a padded surface such as the packaging provided. Be sure to locate all hardware before throwing away any packaging.

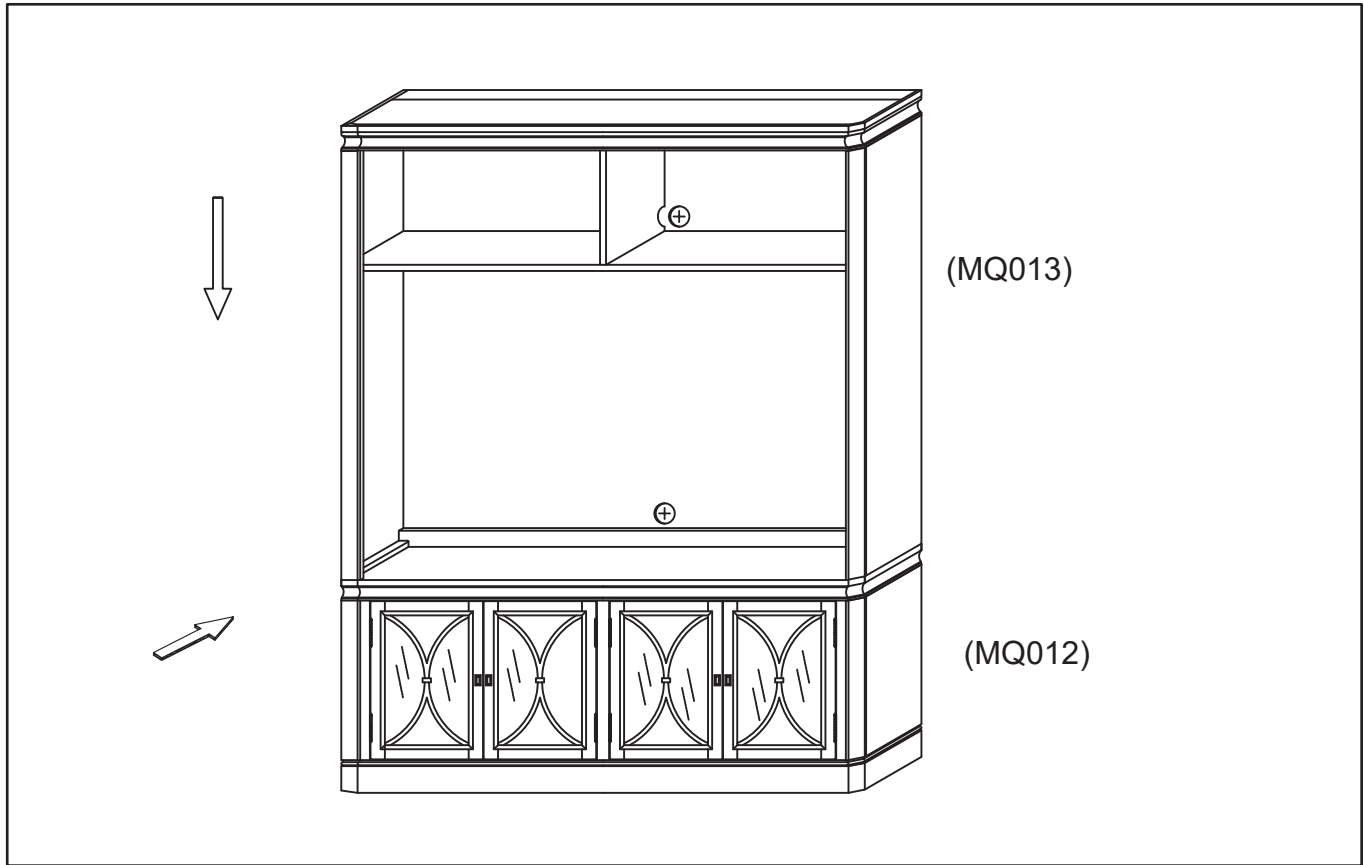
Ltr.	Qty.	Hardware Included	Ltr.	Qty.	Hardware Included
A	8	Long Screws	D	2	Connector Plates
B	8	Small Screws	E	8	Connector Screws
C	2	L-Brackets	<p>Hardware Located Here (A-E)</p>		



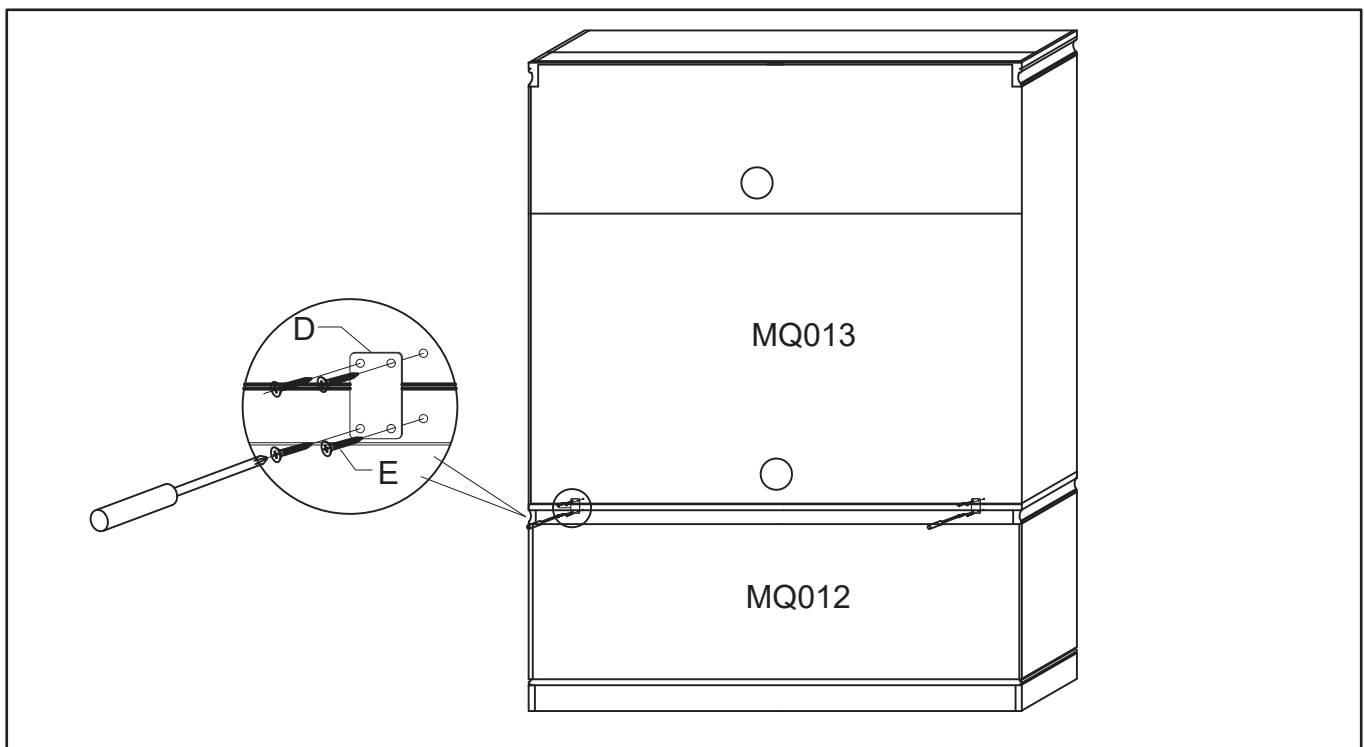
Customer Service: 800-367-2810  
Online: [www.ballarddesigns.com](http://www.ballarddesigns.com)

⚠ Assemble in location for intended use.

STEP 1: Carefully place the Hutch onto the Console (MQ012).

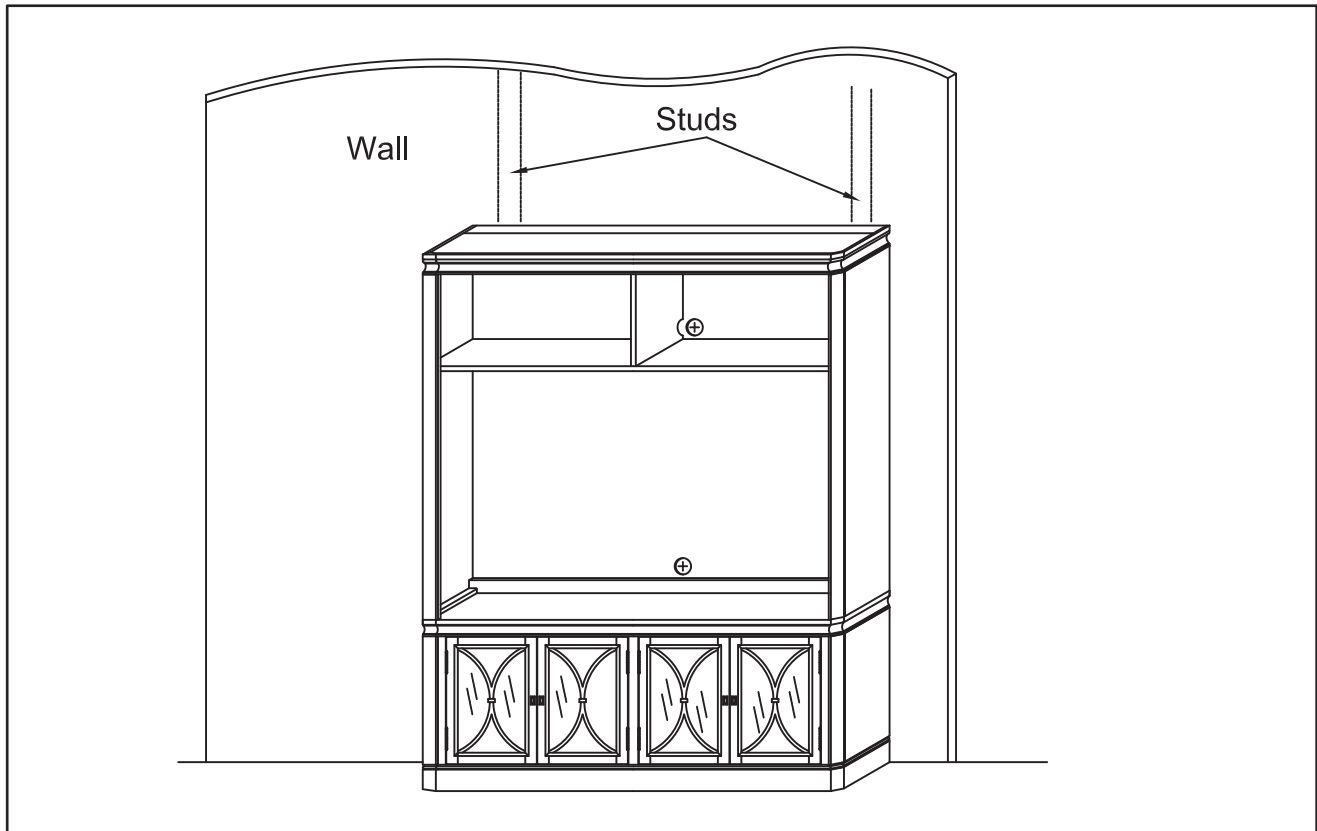


STEP 2: Align and set the Hutch (MQ013) on top of the Console (MQ012) . Attach the two Connector Plates (D) as shown using Connector Screws (E).



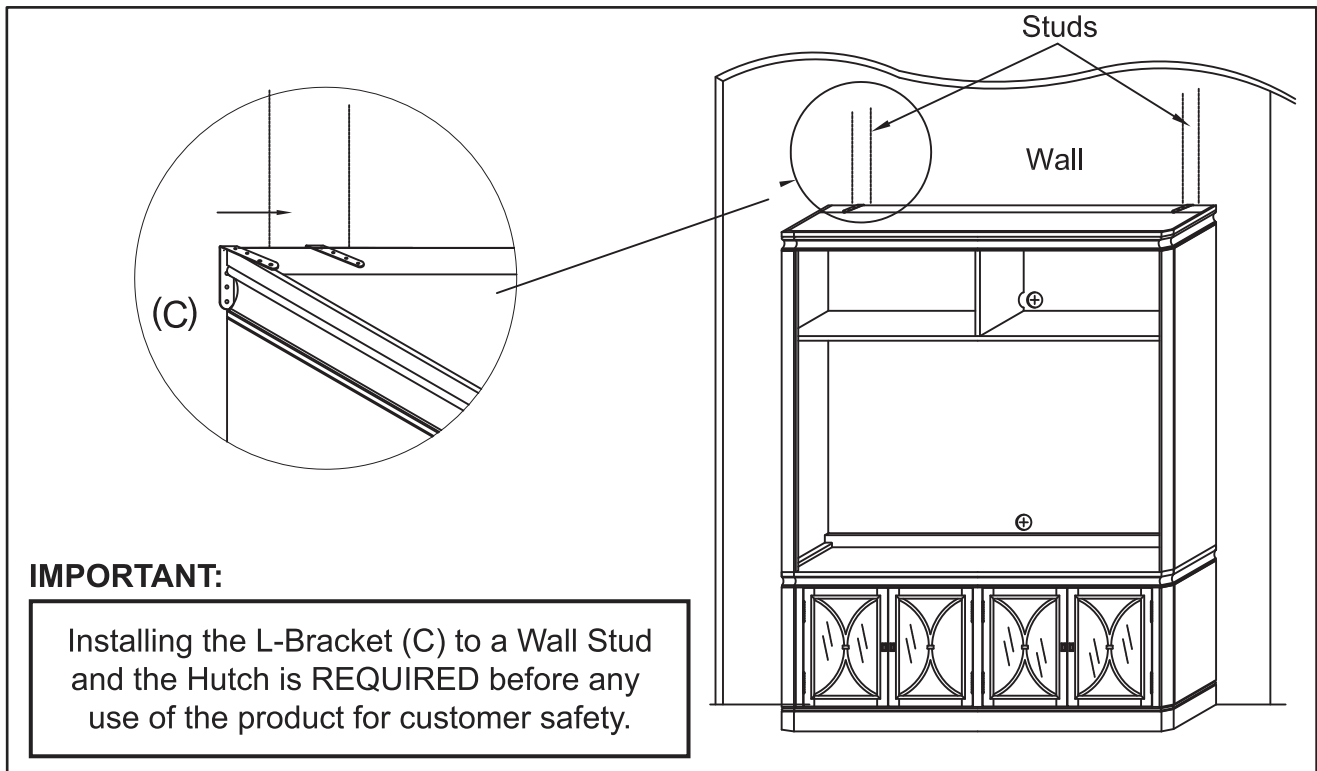
**⚠ Assemble in location for intended use.**

**STEP 3:** Center the Cabinet in front of two Studs and mark the Wall. Push the Cabinet against the Wall.



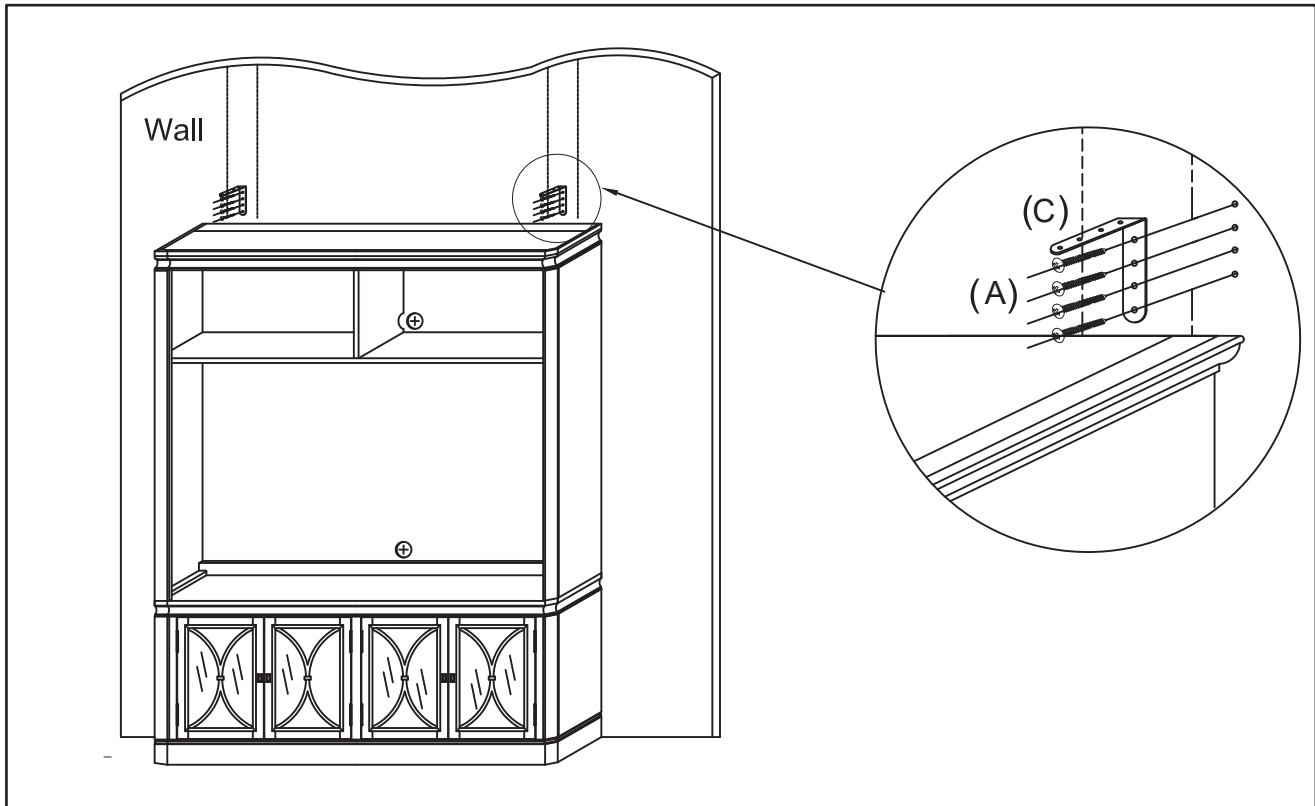
**STEP 4:** Slide the L-Bracket (C) over the top corner of the Hutch Top in front of the previously marked Stud and mark the Wall at the top of the L-Bracket.

**NOTE:** It is important that the L-Bracket is positioned like the picture below in order to hide the Bracket.



**⚠ Assemble in location for intended use.**

**STEP 7:** Pull the Hutch away from the Wall and attach the L-Brackets (C) to the Studs using the Long Screws (A).



**STEP 8:** Slide the Hutch underneath the previously installed L-Brackets (C) and use 2 or more of the Small Screws (B) to attach the L-Brackets to the Hutch.

**NOTE:** The L-Brackets may not be completely on the Hutch's Top due to the Wall's base molding. Only screw into the Bracket holes that are completely on the Cabinet Top.

