

SUZANNE KASLER



BALLARD DESIGNS

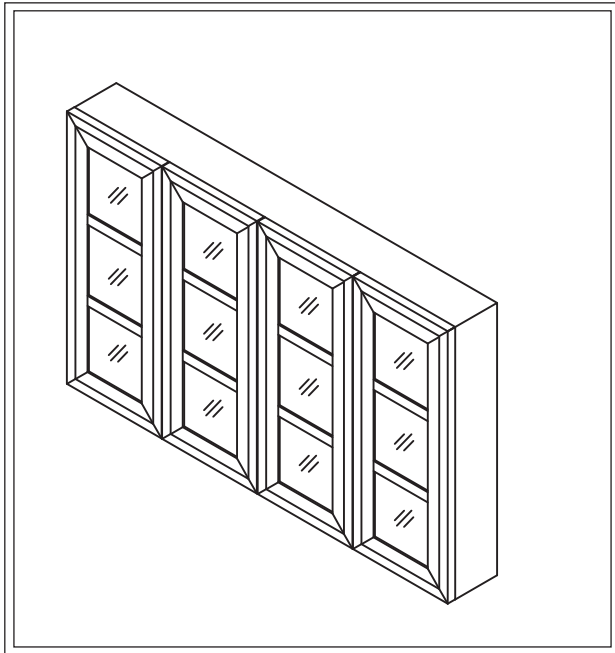




Customer Service: 800-367-2810
Online: www.ballarddesigns.com

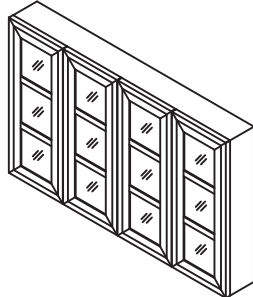
PRODUCT NAME: SK MAUDE TV WALL CABINET
ITEM NUMBER: MQ140
ASSEMBLED DIMENSIONS : 33"H x 45 3/8"W x 7"D

REQUIRED TOOLS:
Phillips Screwdriver, Level, Pencil,
Small Hammer, Drill
-Two person assembly suggested.

Remove all parts, hardware and protective packaging from carton and carefully arrange on a clean, level, padded surface.



Ltr.	Qty.	Hardware Included
A / B	6 / 6	 Screws (A) / Anchors (B)
C	2	 Wall Brackets (C)

Ltr.	Qty.	Component
D	1	 Cabinet (D)

SAFETY NOTICE

For maximum support, one bracket should be centered on a WALL STUD if possible.

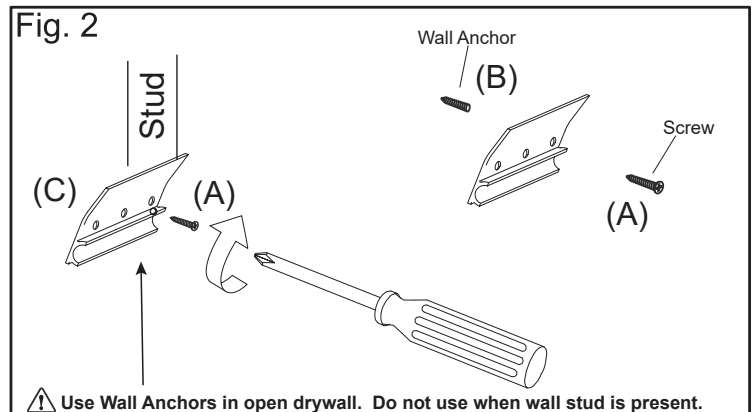
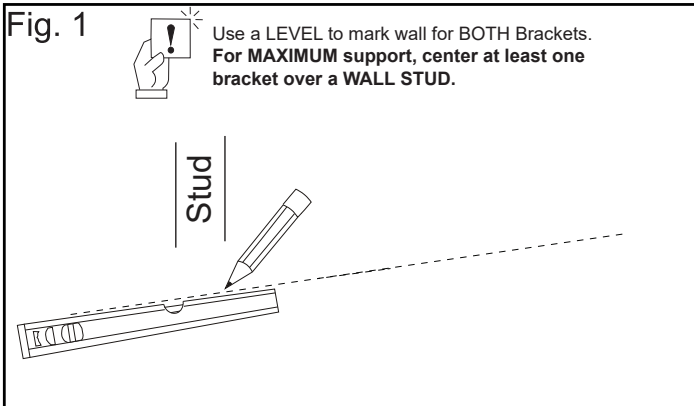
STEP 1: Use a LEVEL and pencil mark wall for both Wall Brackets (C) (Fig. 1).

See Page 4 for creating an easy template to mark for Cabinet Brackets.

NOTE: MAXIMUM SUPPORT PROVIDED WHEN AT LEAST ONE SCREW IS DRIVEN INTO A STUD.

For installation into a wall stud, mark and drive Screw (A) directly into Stud (Fig. 2)

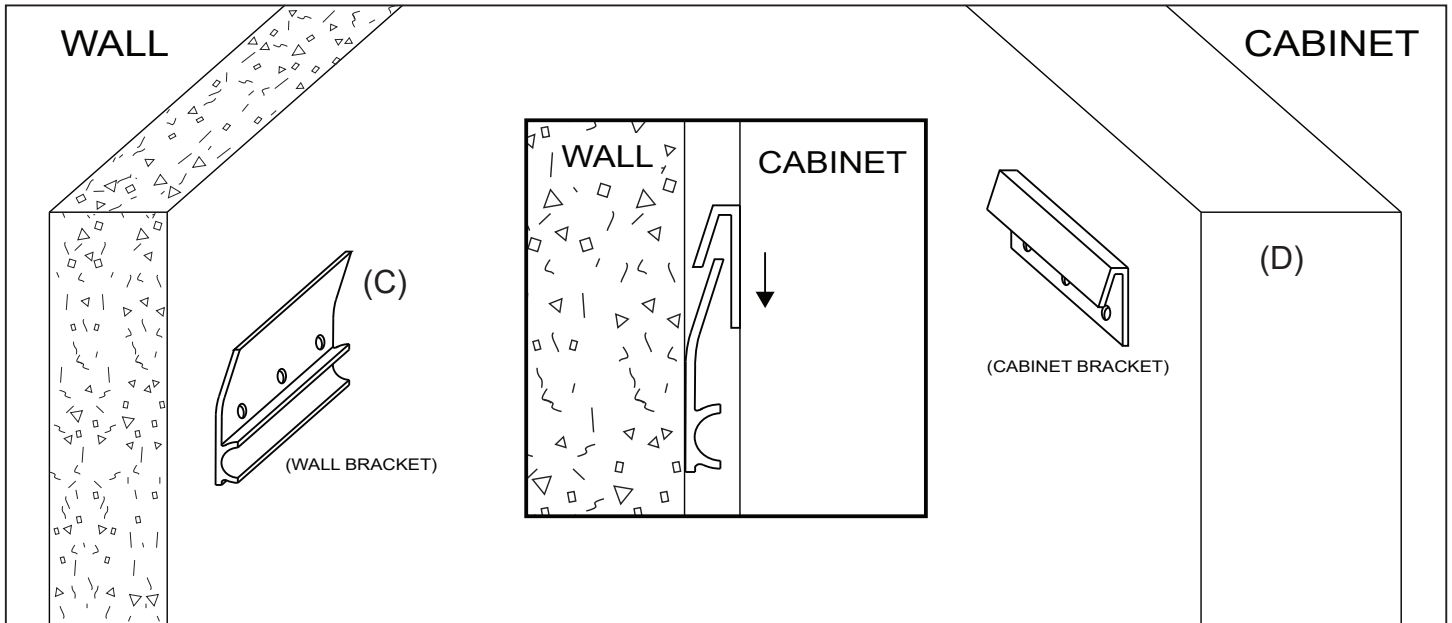
For installation into OPEN DRYWALL (no stud) use a Wall Anchor (B) (Page 2/Fig. 3)



PRODUCTS ARE NOT INTENDED FOR COMMERCIAL USE.
UPDATED: 6-20-2022

MADE IN VIETNAM
Page 1 of 3

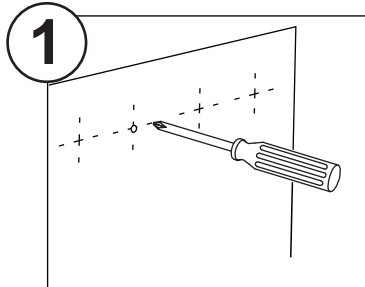
STEP 2: Carefully lift Cabinet (D) to Brackets (C) then fit Cabinet Brackets over Wall Brackets and push/pull down to lock in place.



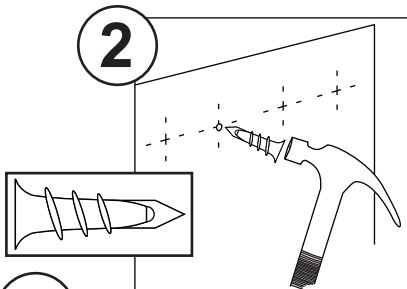
! Use Wall Anchors in open drywall. Do not use when wall stud is present.

Fig. 3

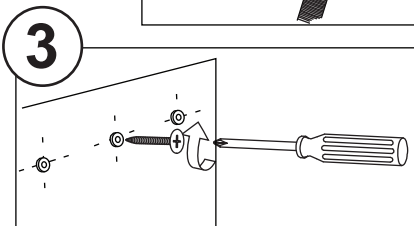
INSTALLING SCREW-TYPE WALL ANCHORS



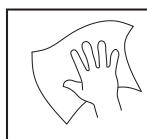
Mark location. Use pointed tool to make a very small pilot hole.



Gently tap tip of Anchor into pilot hole then use a screwdriver and turn it in until flush with wall surface.



Add item/Align holes. Add/tighten screw.



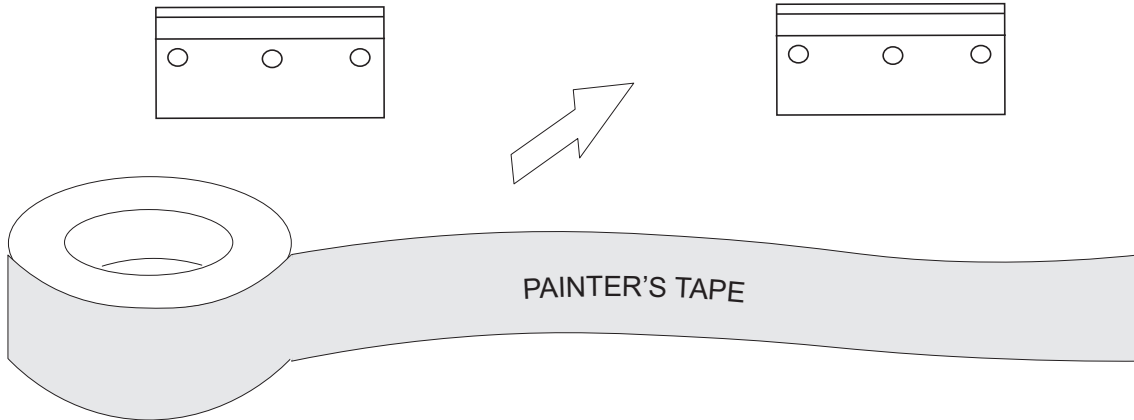
Cleaning and Care

Periodically dust with a soft, dry cloth.
Protect surfaces to prevent damage.
Do not use alcohol based cleaners or polishers.

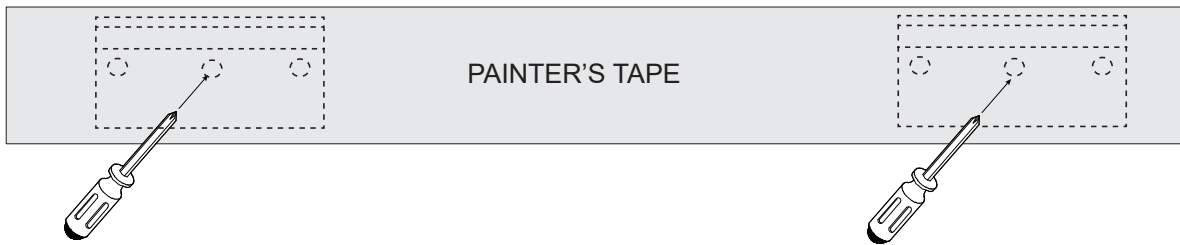


How to Create a Template for Wall Brackets

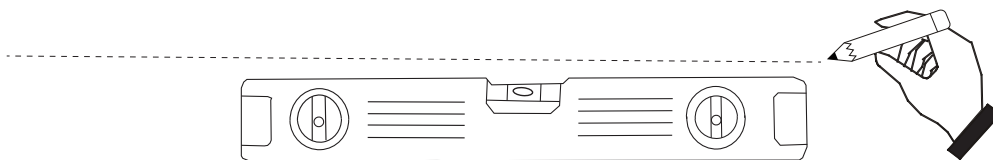
- 1** Place a strip of Painter's Tape the length of the Cabinet that covers both Brackets



- 2** Use a Screwdriver or other pointed tool to punch a hole in tape marking location of Brackets.



- 3** Use a Level and Pencil to mark wall at installation location.



- 4** Remove Tape from back of item, place on wall at level line and mark location of punches. Remove Tape and follow instructions for creating holes and installing specific hardware.

