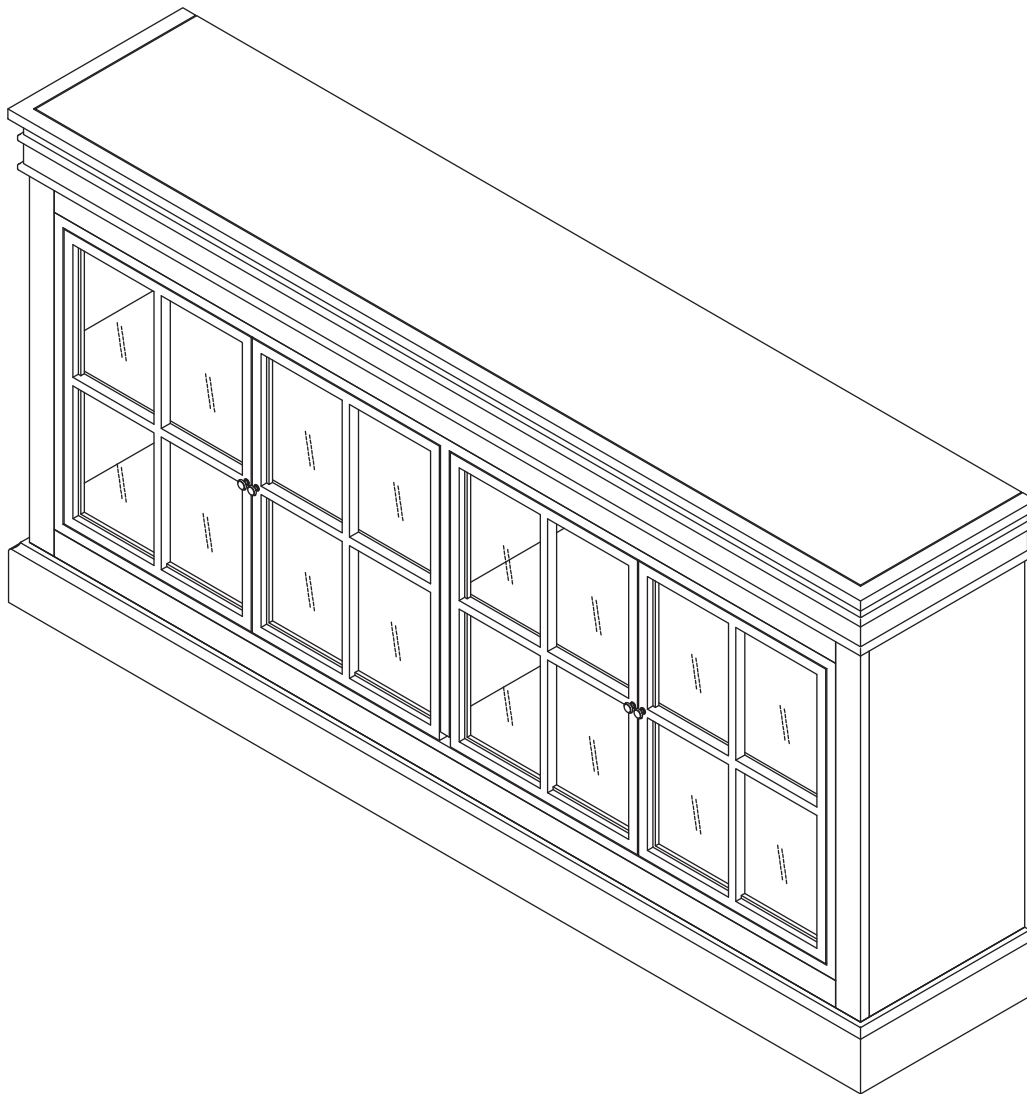



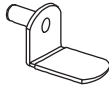
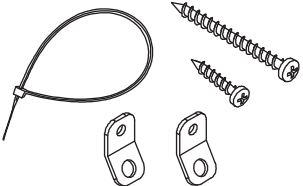


PRODUCT NAME: Delano Iron Door Console  
ITEM NUMBER: MS116  
ASSEMBLED DIMENSIONS : 34"H x 68"W x 14"D



**Prevent accidentally discarding small parts or hardware. Retain all carton contents until assembly and installation are complete.**

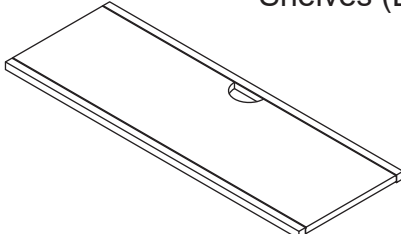
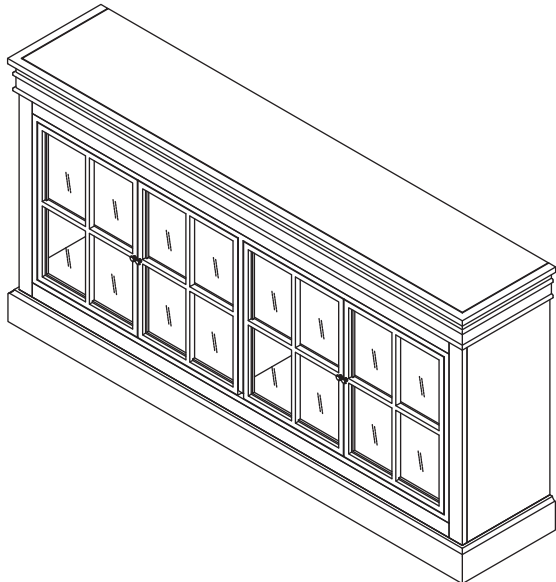
**⚠ Assemble in location for intended use.**

Ltr.	Qty.	Hardware Included
A	4	 Wood Plugs
B	8	 Shelf Supports
C	2	 Wall Anchoring (Anti-tip) Kits See Page 4

**REQUIRED TOOLS:**  
Phillips Screwdriver  
Allen Wrench (included)

-Two person assembly suggested.

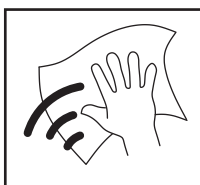
Remove all parts, hardware and protective packaging from carton and carefully arrange on a clean, level, padded surface.

Ltr.	Qty.	Components
D	2	 Shelves (D)
E	1	 Console (E)



**WARNING**  
**Tip-Over Hazard**  
ANCHORING HARDWARE INCLUDED

Serious or fatal crushing injuries can occur from a furniture tip-over  
 Prevent tipping accidents. Anchor your furniture.



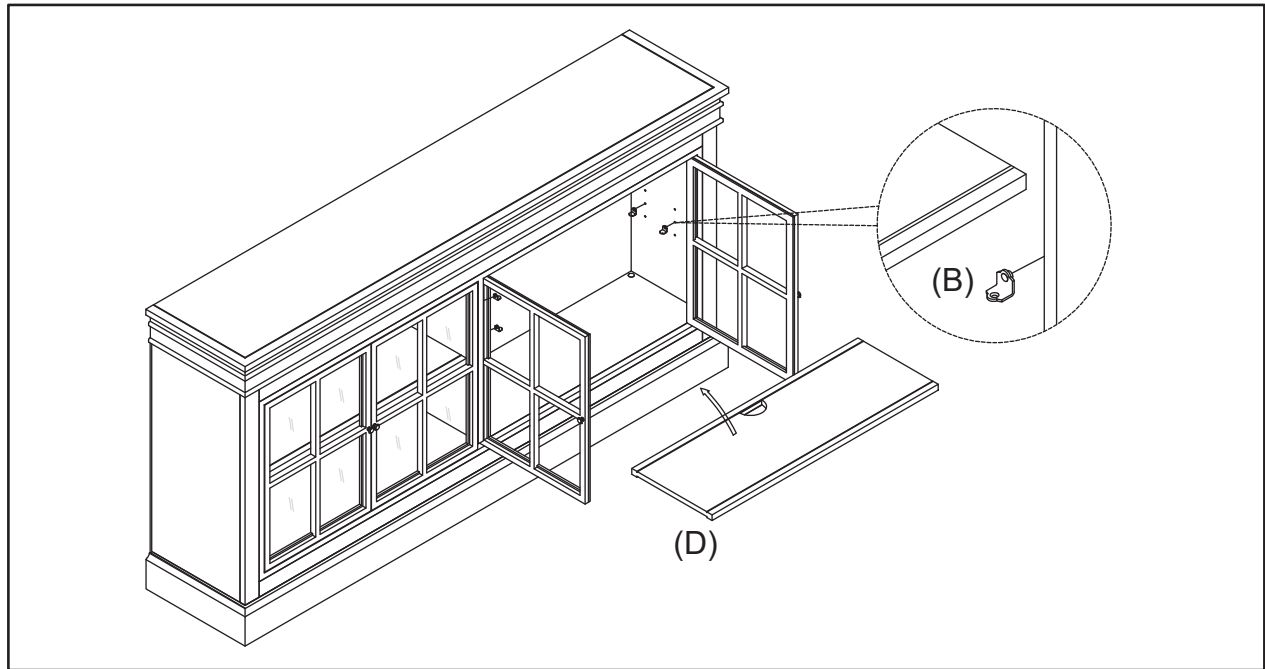
**Cleaning and Care**

Periodically dust with a soft, dry cloth.  
Protect surfaces to prevent damage.  
Do not use alcohol based cleaners or polishers.

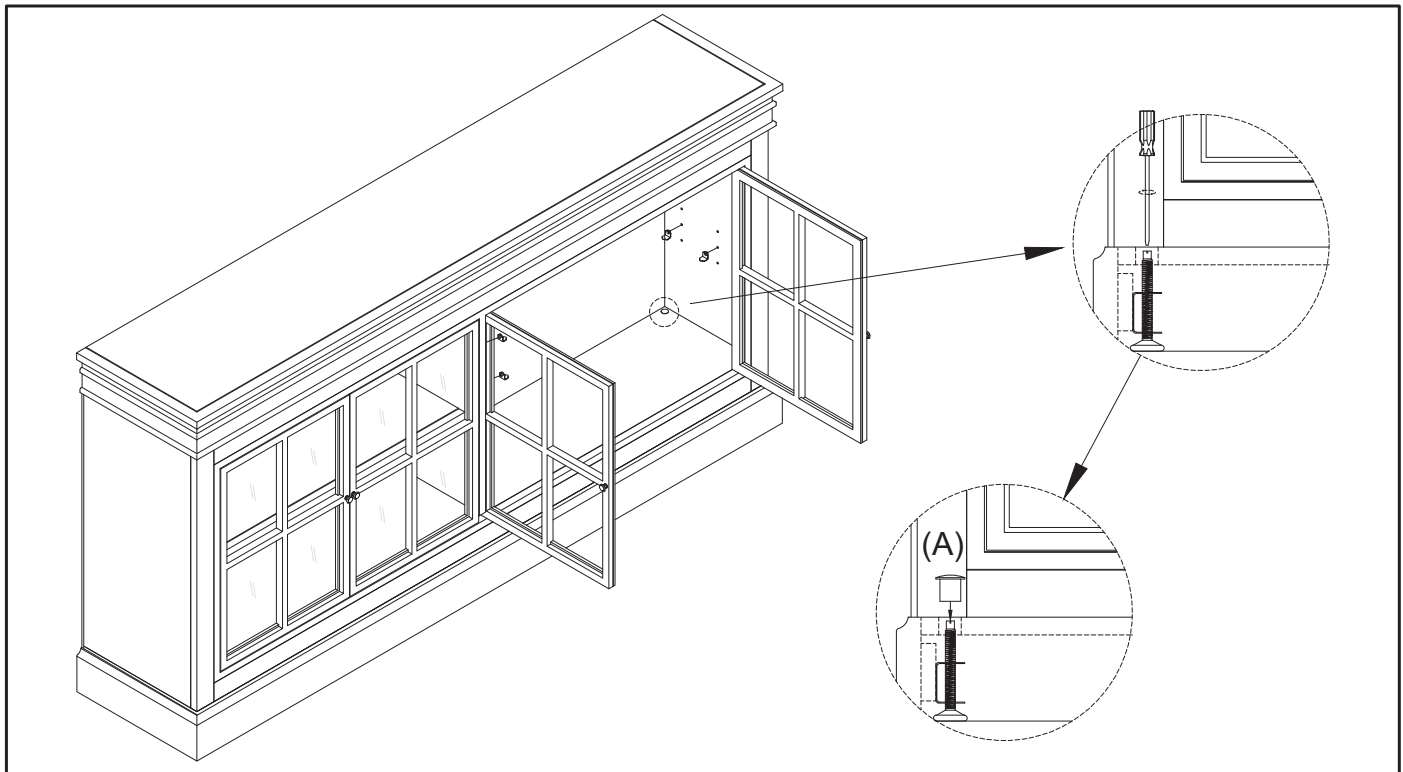


 Assemble in location for intended use.



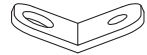

**STEP 1:** Determine location for each Shelf (D) then insert Shelf Supports (B) into corresponding pre-drilled holes inside each compartment. Gently set each Shelf level upon Supports.



**LEVELERS:** Console is equipped with Rotary Levelers installed under each corner which are accessible from INSIDE each compartment. If necessary, insert a FLAT BLADE Screwdriver into opening and turn Leveler clockwise/counterclockwise to adjust. Cover opening with a Wood Plug (A).



## WALL ANCHORING HARDWARE (ANTI-TIP)

Ltr.	Qty.	Hardware Included	
A	2		Large Screw
B	2		Small Screw
C	4		Bracket
D	2		Retention Belt



### Installation:

1. Place furniture against wall at desired location then locate and mark a Wall Stud behind unit.
2. Corresponding to Stud location, attach one Bracket (C) to back of unit using Small Screw (B).
3. To keep hardware out of view after installation, attach remaining Bracket (C) **INTO WALL STUD** with Large Screw (A) 2 inches below Bracket attached to back of unit.
4. Move unit into place, align Brackets then connect both using Retention Belt (D).
5. Confirm Belt is securely laced and locked.

