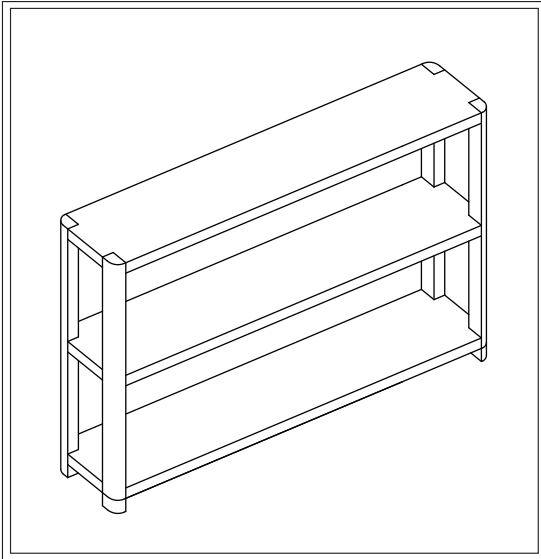
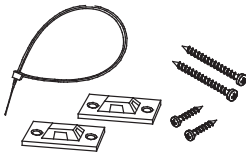




PRODUCT NAME: Capri Console  
ITEM NUMBER: MS140  
ASSEMBLED DIMENSIONS : 35"H x 60"W x 15"D

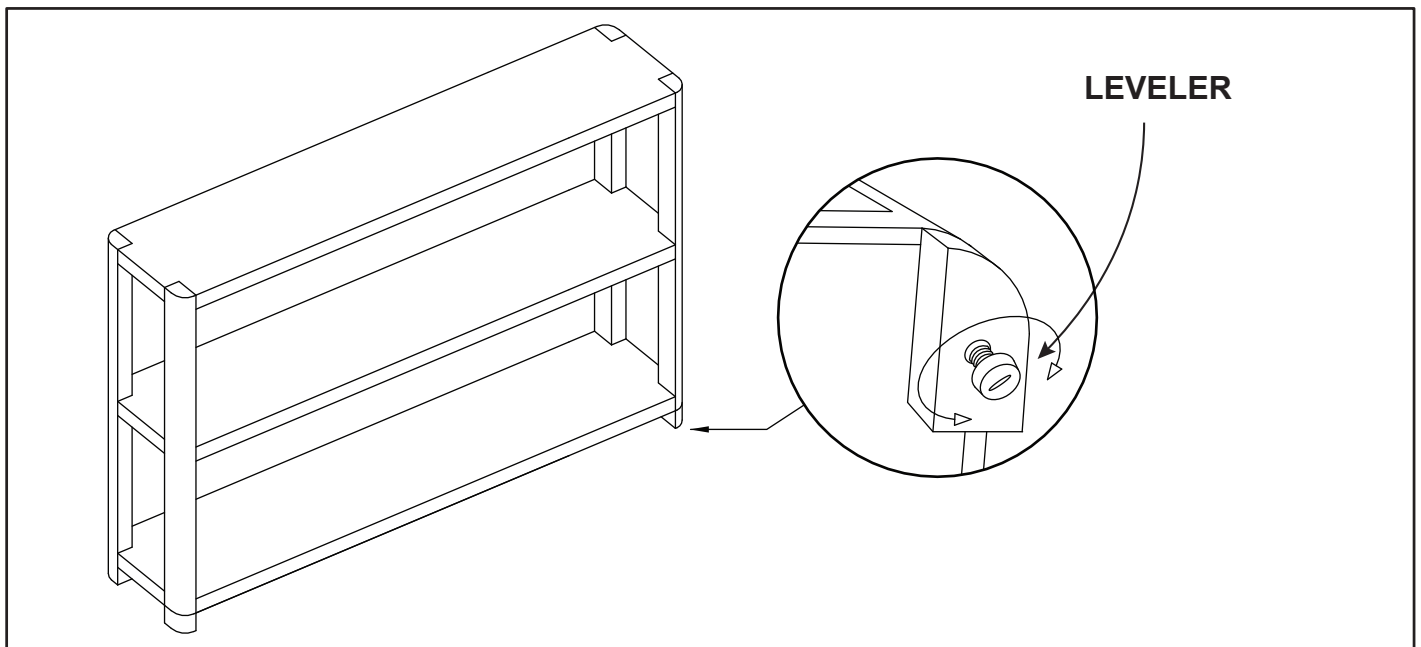
REQUIRED TOOLS:  
Phillips Screwdriver  
-Two person assembly suggested.



| Qty. | Hardware Included  |
|------|--|
| 2    |  <p>Wall Anchoring (Anti-tip) Kit<br/>See page 2</p> |




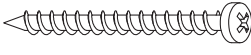
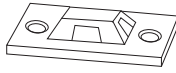

**LEVELERS:** Console is equipped with Rotary Levelers installed under each corner. If necessary, adjustments may be made by carefully lifting applicable corner and turning Leveler clockwise/counter-clockwise.



### Cleaning and Care

Periodically dust with a soft, dry cloth.  
Prevent finish damage: do not use alcohol based cleaners or polishers. Promptly remove spills.

## WALL ANCHORING HARDWARE (ANTI-TIP)

| Ltr. | Qty. | Hardware Included   |                |
|------|------|---|----------------|
| A    | 4    |  | Small Screw    |
| B    | 4    |  | Large Screw    |
| C    | 4    |  | Bracket        |
| D    | 2    |  | Retention Belt |



1. Place furniture against wall at desired location then locate and mark a Wall Stud behind unit.
2. Corresponding to Stud location, attach one Bracket (C) to back of unit using Small Screws (A).
3. To keep hardware out of view after installation, attach remaining Bracket (C) **INTO WALL STUD** with Large Screws (B) 2 inches below Bracket attached to back of unit.
4. Move unit into place, align Brackets then connect both using Retention Belt (D).
5. Confirm Belt is securely laced and locked.

