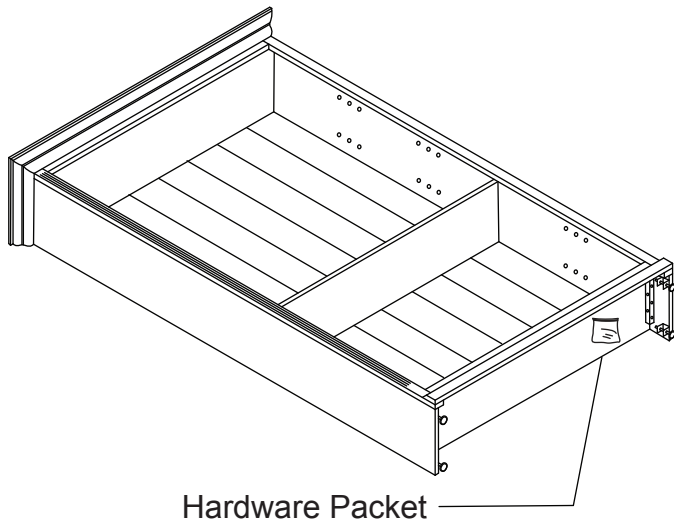


PRODUCT NAME: Tuscan Large Bookcase

ITEM NUMBER: MV121

ASSEMBLED DIMENSIONS : 85 3/4"H x 46 1/2"W x 18 3/4"D



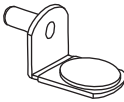



**REQUIRED TOOLS:**  
Phillips Screwdriver

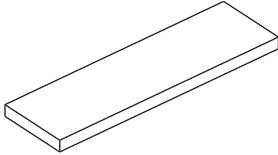
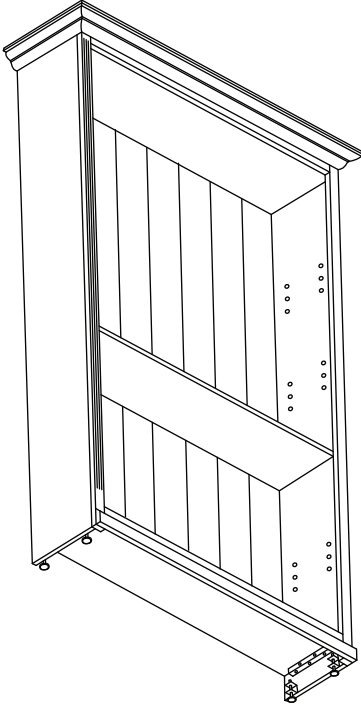
-Two person assembly suggested.

Remove all parts, hardware and protective packaging from carton and carefully arrange on a clean, level, padded surface.

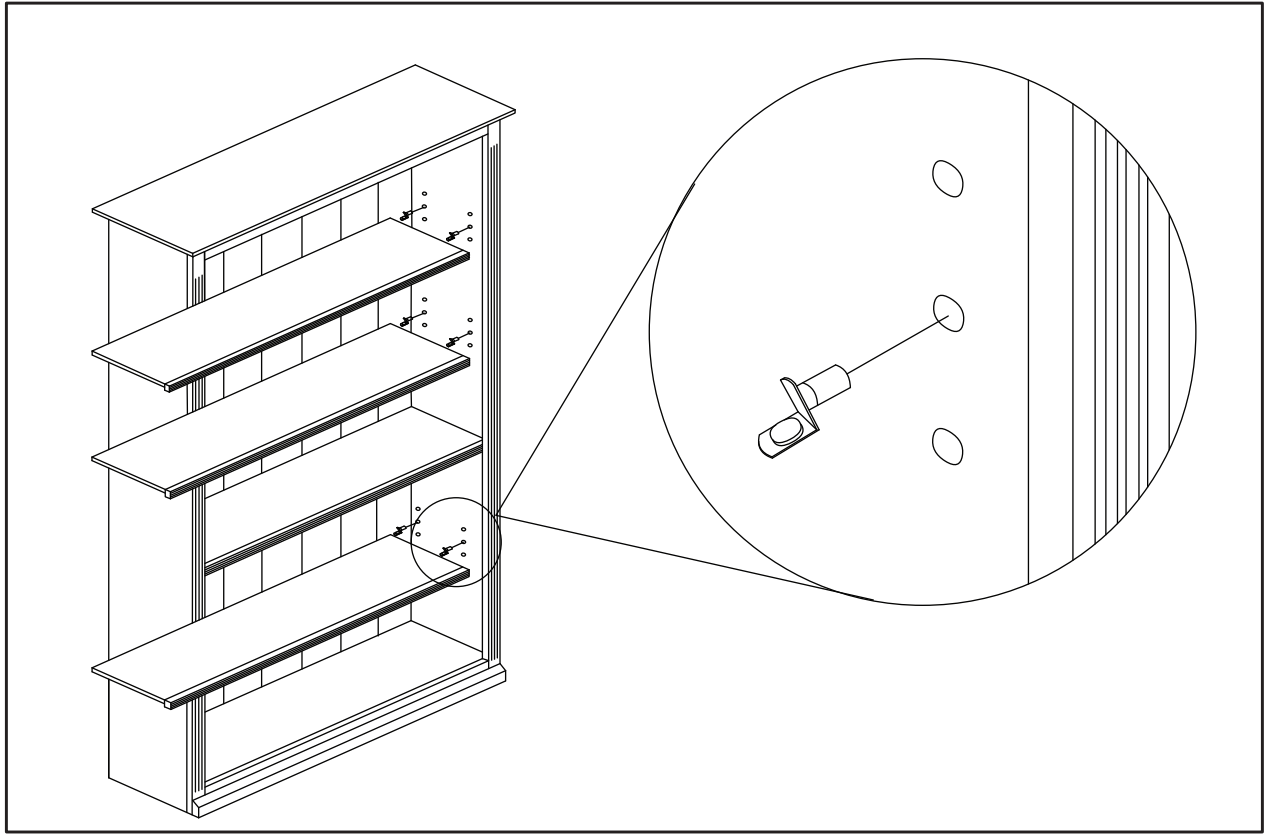
**NOTE:** To avoid accidentally discarding small parts or hardware, retain all carton contents until assembly and installation are complete.

Ltr.	Qty.	Hardware Included
A	12	 Shelf Supports
B	2	 Anti-Tip Kit

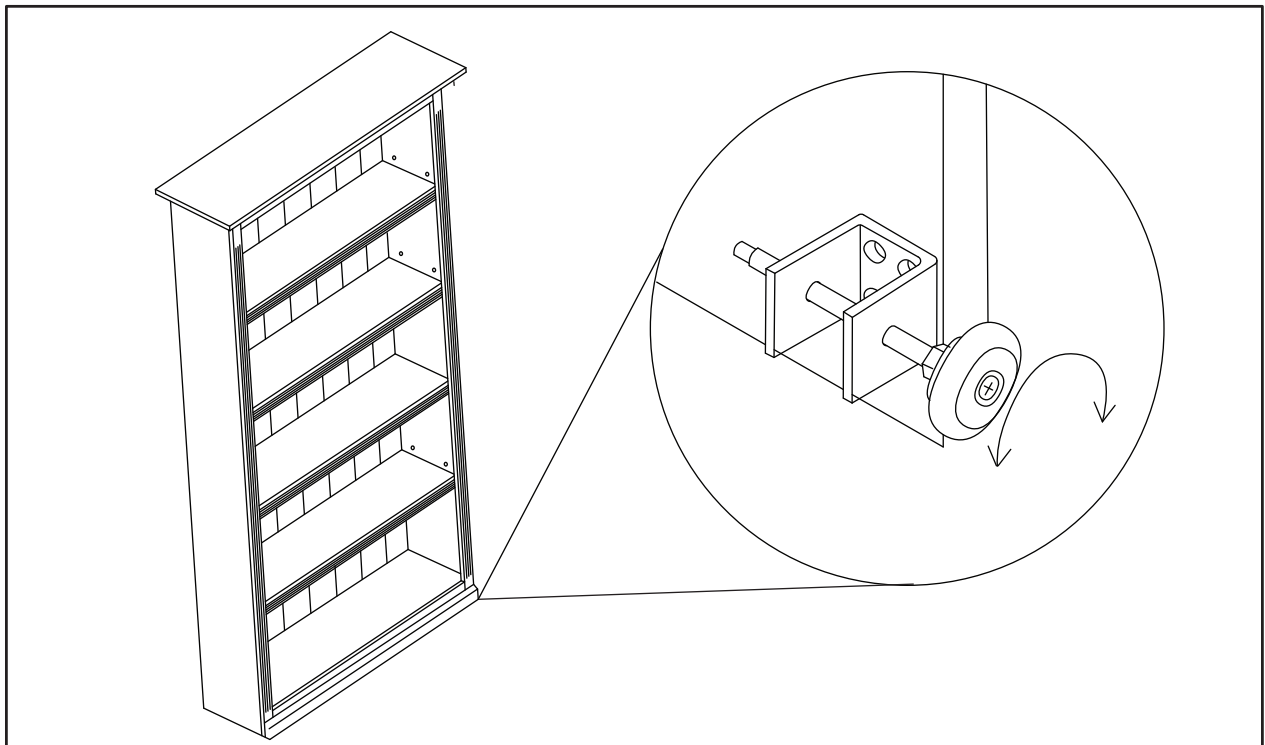
**WARNING**  
**Tip-Over Hazard**  
Prevent tipping accidents. Anchor your furniture.  
**ANCHORING HARDWARE INCLUDED**

Ltr.	Qty.	Components
C	3	 Shelves (C)
D	1	 Bookcase (D)



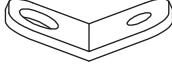

STEP 1: Place Bookcase in desired location for use. Determine Shelf (C) placement then insert Shelf Supports (A) into corresponding pre-drilled holes inside Bookcase. Gently place Shelf upon Supports.



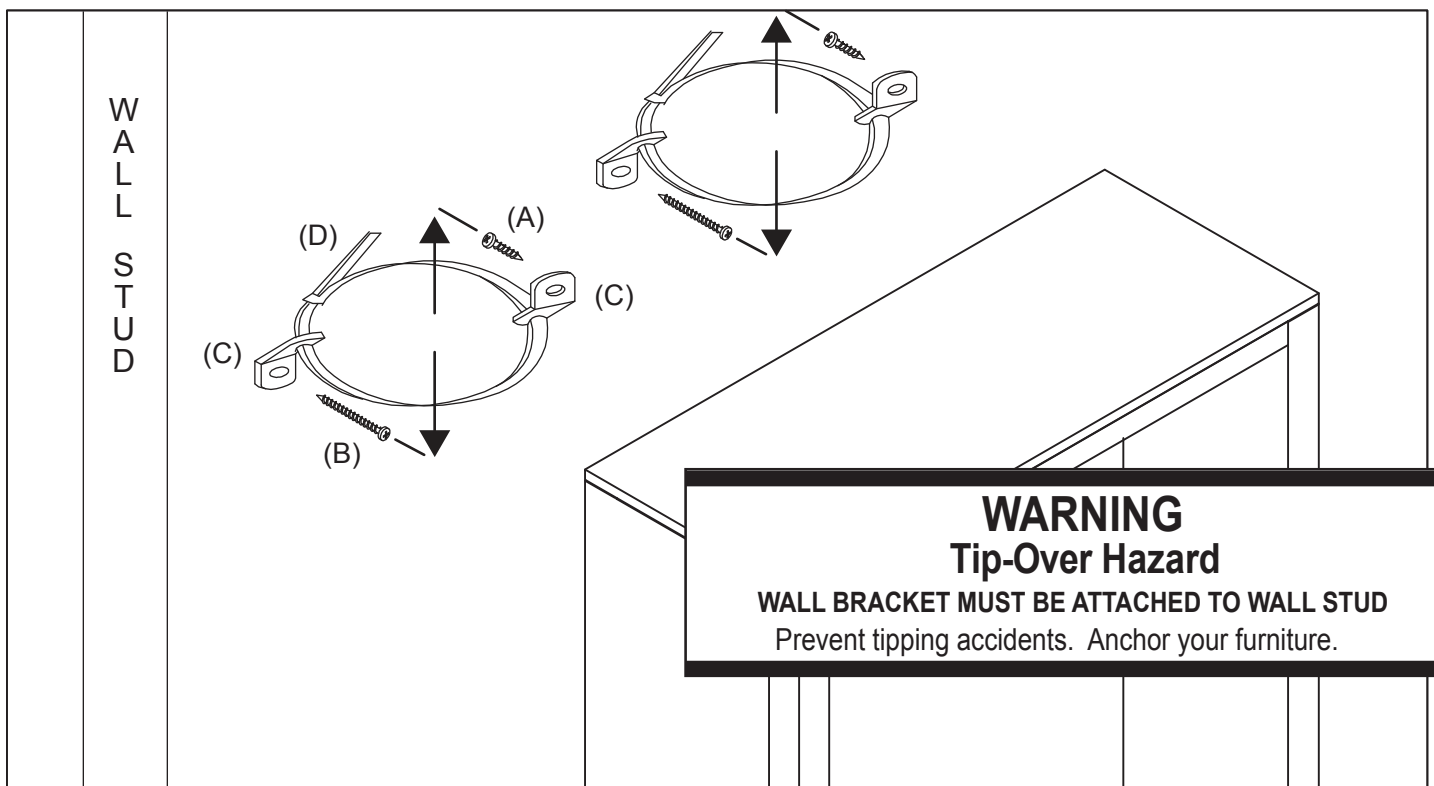
STEP 2: Bookcase is equipped with Rotary Levelers under each bottom corner. If necessary, gently lift corner and turn Leveler clockwise/counterclockwise to adjust.



### STEP 3: ANTI-TIP ANCHORING HARDWARE INSTALLATION

Ltr.	Qty.	Hardware Included
A	2	 Small Screw
B	2	 Large Screw
C	4	 Bracket
D	2	 Retention Belt

1. Locate and mark a Wall Stud behind Bookcase at location for installation.
2. Corresponding to Stud location, attach one Bracket (C) to back of Bookcase using Small Screw (B).
3. To keep hardware out of view after installation, attach remaining Bracket (C) **INTO WALL STUD** with Large Screw (A) 2 inches below Bracket attached to back of Bookcase.
4. Move Bookcase into place, align Brackets then connect both using Retention Belt (D).
5. Confirm Belt is securely laced and locked.



#### Cleaning & Care:

DO NOT use alcohol based products or spray polisher as they can damage the finish. Dust with soft cloth.

