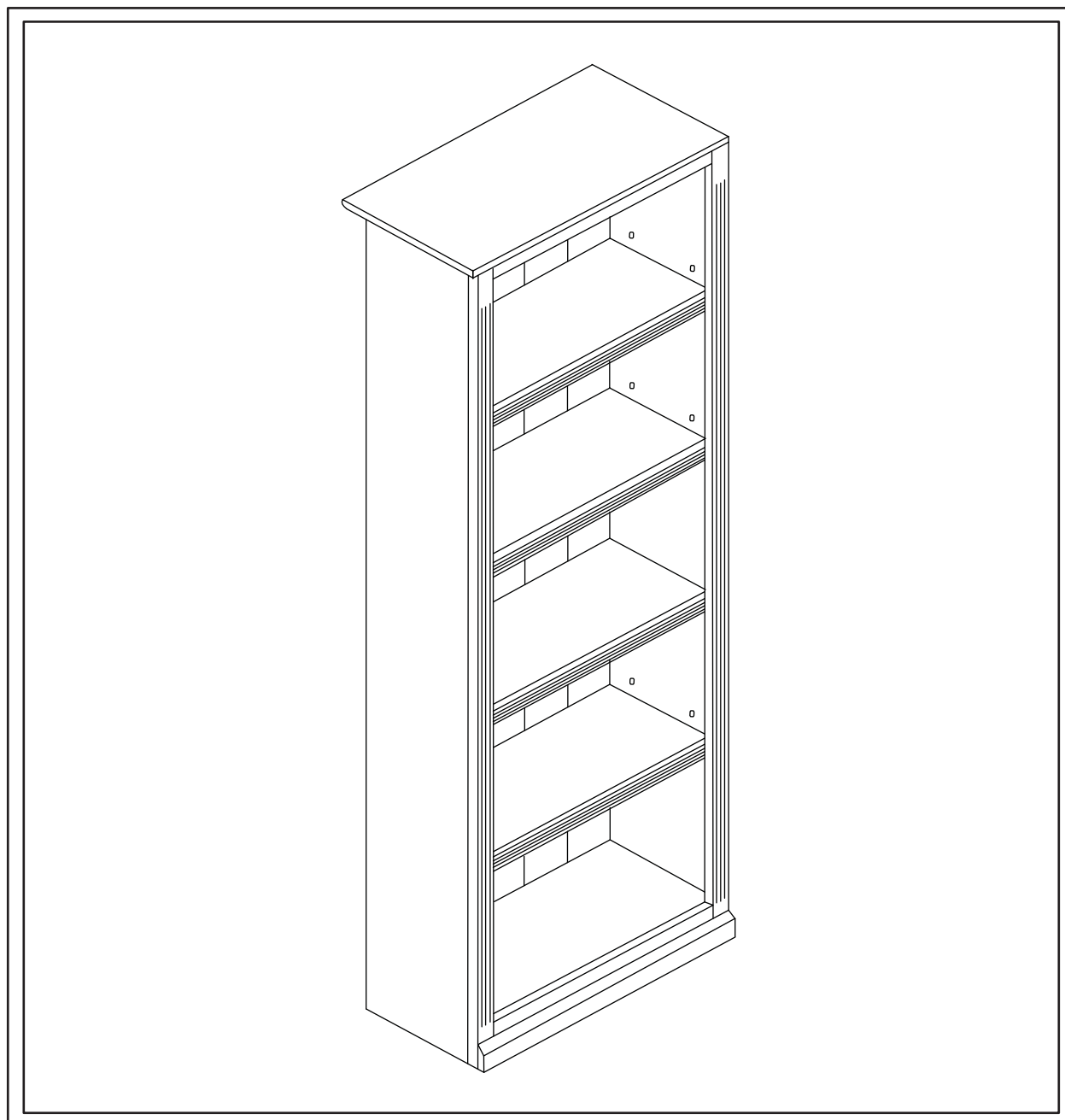
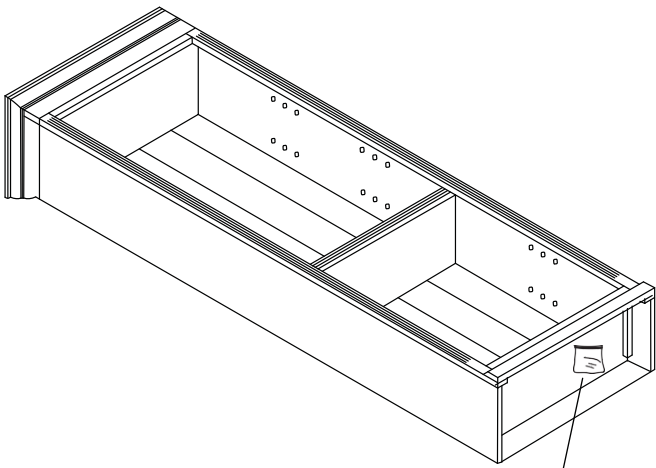


PRODUCT NAME: Tuscan Bookcase Left

ITEM NUMBER: MV133

ASSEMBLED DIMENSIONS : 81 3/4"H x 26 1/2"W x 15 3/4"D





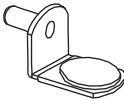



Hardware Packet

**REQUIRED TOOLS:**  
Phillips Screwdriver

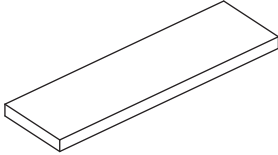
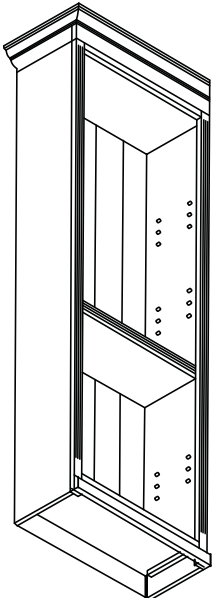
-Two person assembly suggested.

Remove all parts, hardware and protective packaging from carton and carefully arrange on a clean, level, padded surface.

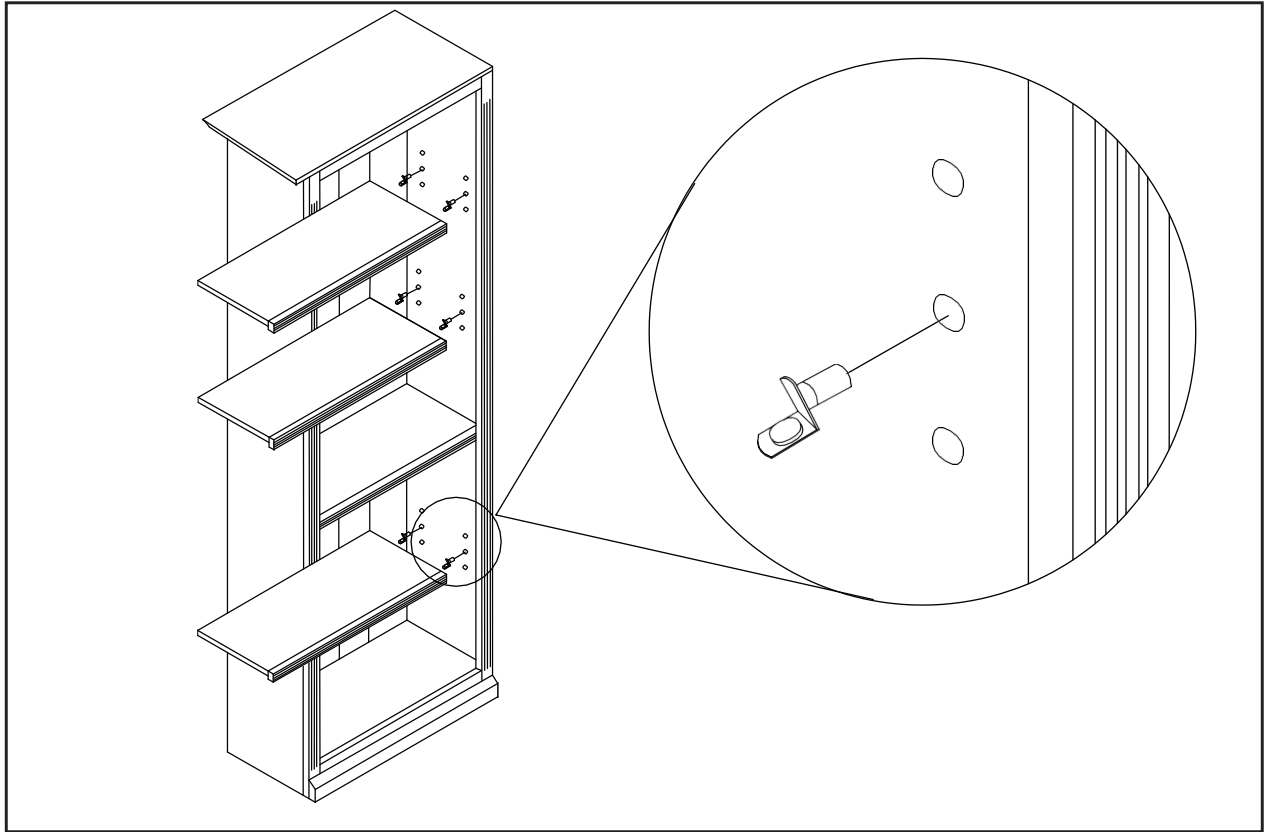
**NOTE:** To avoid accidentally discarding small parts or hardware, retain all carton contents until assembly and installation are complete.

Ltr.	Qty.	Hardware Included	
A	12		Shelf Supports
B	2		Connector Plates
C	4		Connector Screws
D	2		Anti-Tip Kit

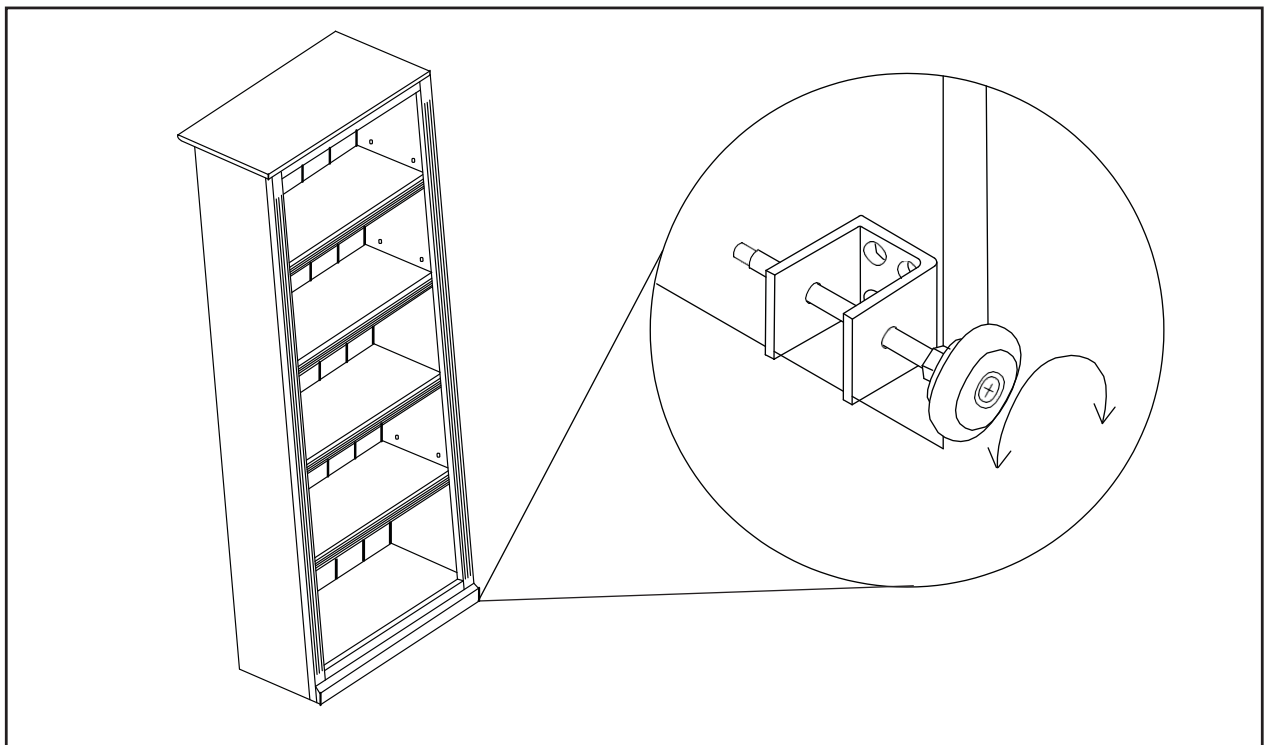
**WARNING**  
**Ti -Over Hazard**  
Prevent tipping accidents. Anchor your furniture.  
**ANCHORING HARDWARE INCLUDED**

Ltr.	Qty.	Components	
E	3		Shelves (E)
F	1		Bookcase (F)

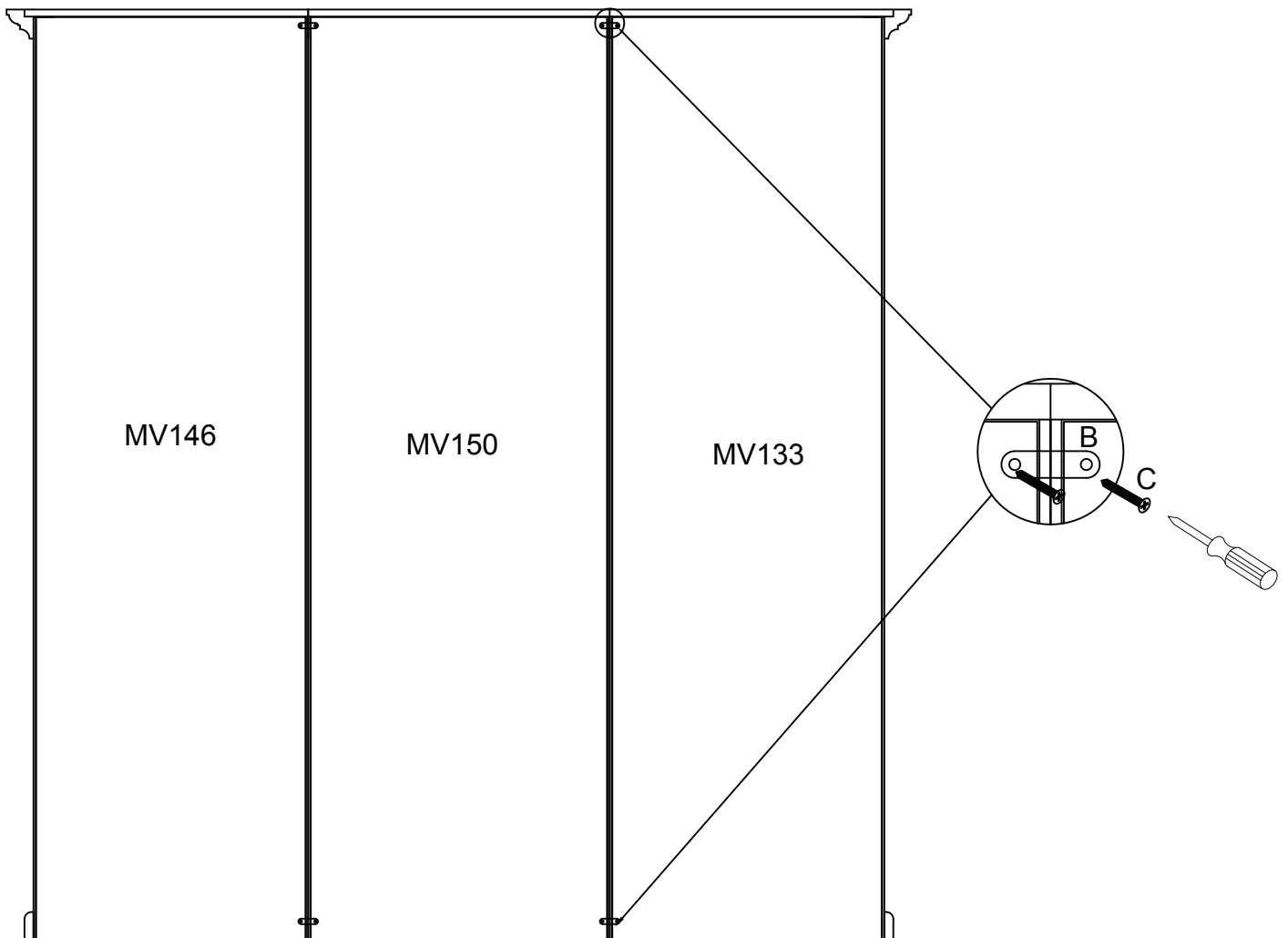
STEP 1: Place Bookcase in desired location for use. Determine Shelf (E) placement then insert Shelf Supports (A) into corresponding pre-drilled holes inside Bookcase. Gently place Shelf upon Supports.




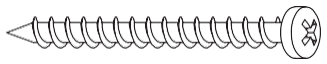
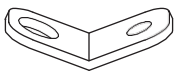
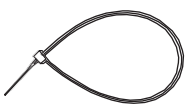
STEP 2: Bookcase is equipped with Rotary Levelers under each bottom corner. If necessary, gently lift corner and turn Leveler clockwise/counterclockwise to adjust.



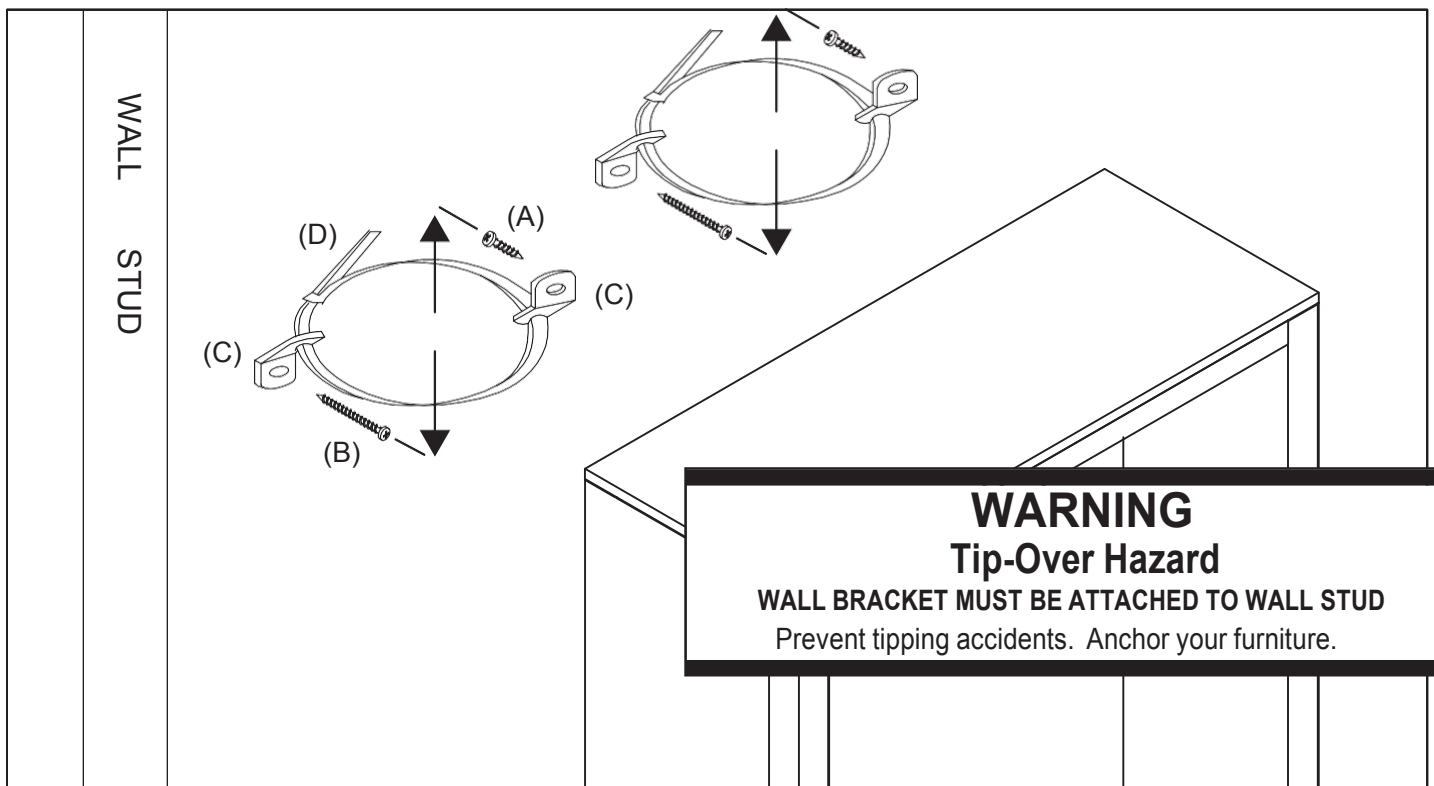
STEP 3: Attached the two by aligning the Connector Plates (B) with pre-drilled holes on the backs and screw in the Connector Screws (C).



## STEP 4: ANTI-TIP ANCHORING HARDWARE INSTALLATION

Ltr.	Qty.	Hardware Included	
A	2		Small Screw
B	2		Large Screw
C	4		Bracket
D	2		Retention Belt

1. Locate and mark a Wall Stud behind Bookcase at location for installation.
2. Corresponding to Stud location, attach one Bracket (C) to back of Bookcase using Small Screw (B).
3. To keep hardware out of view after installation, attach remaining Bracket (C) **INTO WALL STUD** with Large Screw (A) 2 inches below Bracket attached to back of Bookcase.
4. Move Bookcase into place, align Brackets then connect both using Retention Belt (D).
5. Confirm Belt is securely laced and locked.



### Cleaning & Care:

DO NOT use alcohol based products or spray polisher as they can damage the finish. Dust with soft cloth.