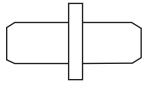


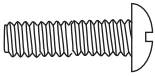

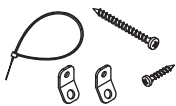




PRODUCT NAME: MV430
ITEM NUMBER: Josephina Bookcase with Cabinet
ASSEMBLED DIMENSIONS: 82 1/2"H x 37 1/4"W x 15"D



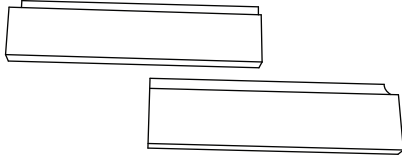

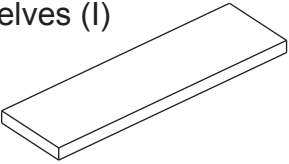
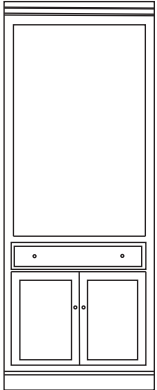
| Ltr. | Qty. | Hardware Included |
|------|------|--|
| A | 16 |  Shelf Supports |
| B | 2 |  Connector Brackets (For joining 2 or more cabinets) |
| C | 16 |  Screws |
| D | 8 |  Bolts |
| E | 1 |  Leveler Tool |
| F | 2 |  Anti-Tip Anchoring Kit |

REQUIRED TOOLS :
Phillips Screwdriver
-Two person assembly suggested.

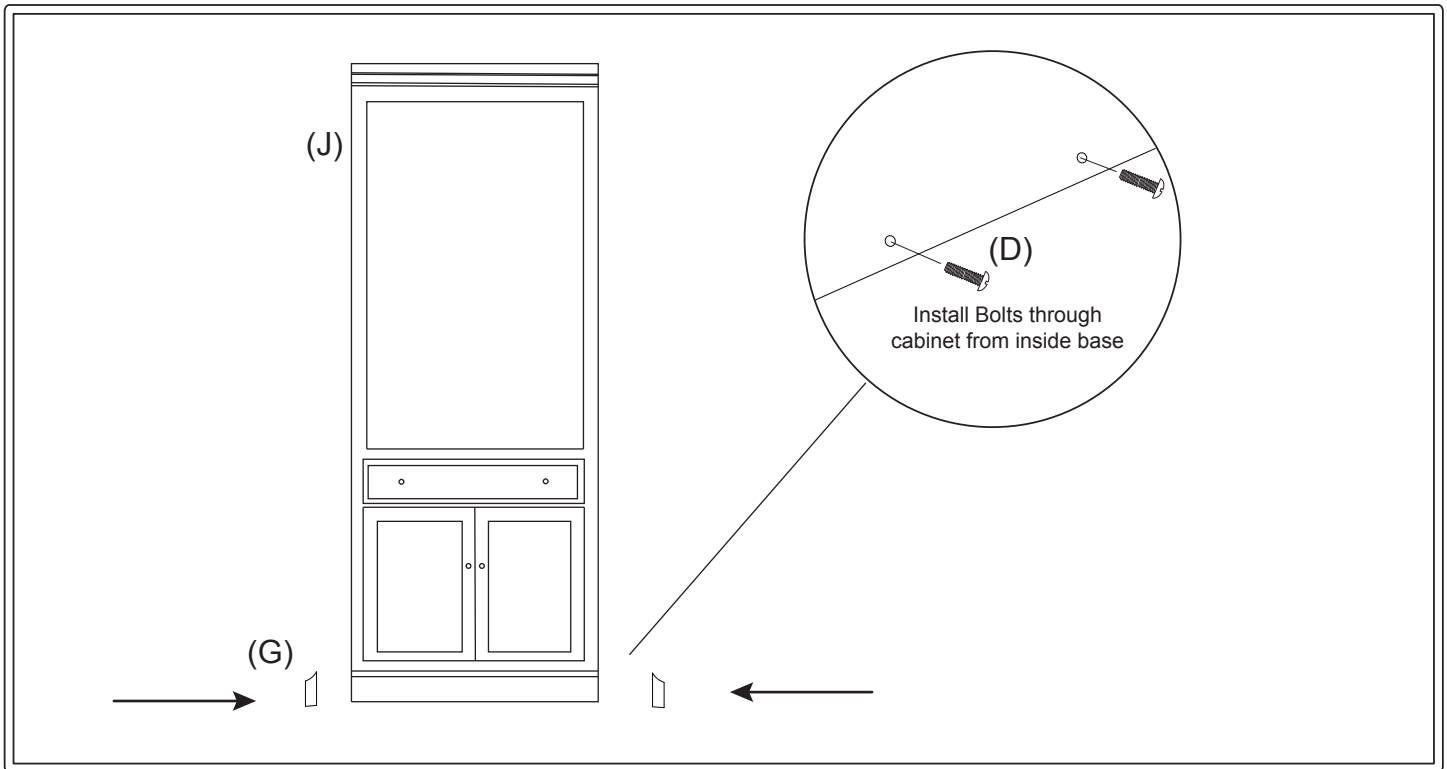
Remove all parts, hardware and protective packaging from carton and carefully arrange on a clean, level, padded surface.

NOTE: To avoid accidentally discarding small parts or hardware, retain all carton contents until assembly and installation are complete.

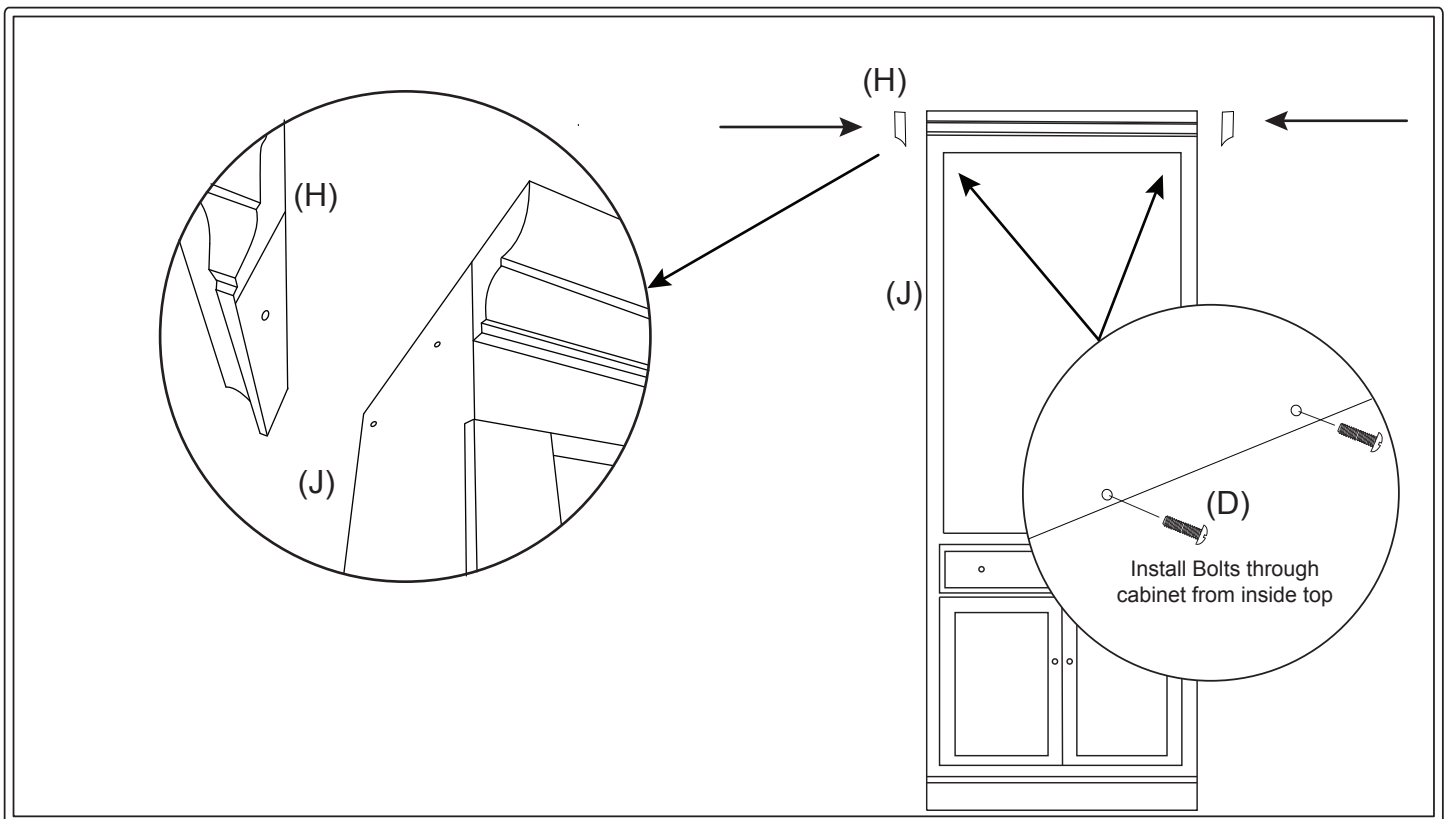
WARNING
Tip-Over Hazard
Prevent tipping accidents. Anchor your furniture.
ANCHORING HARDWARE INCLUDED

| Ltr. | Qty. | Components |
|------|------|---|
| G | 2 | <p>Base Molding (G)</p>  |
| H | 2 | <p>Crown Molding (H)</p>  |
| I | 4 | <p>Shelves (I)</p>  |
| J | 1 | <p>Bookcase (J)</p>  |

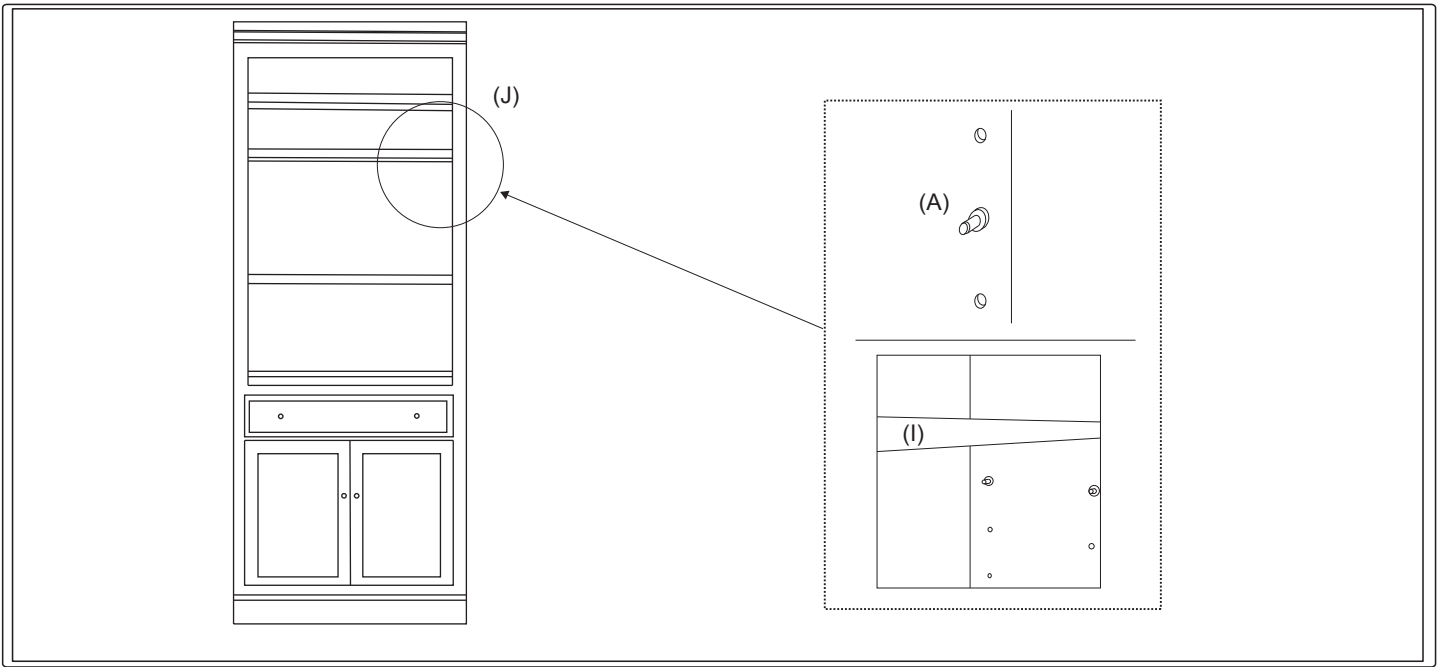
STEP 1: Bookcase (J) is equipped with removable Base (G) and Crown Molding (H). **BASE:** On a soft, padded surface gently lay Bookcase face down. Orient base molding with square edge to back and insert Bolts (D) through pre-drilled holes and into T-nut in Base Molding. Use a screwdriver to firmly tighten.



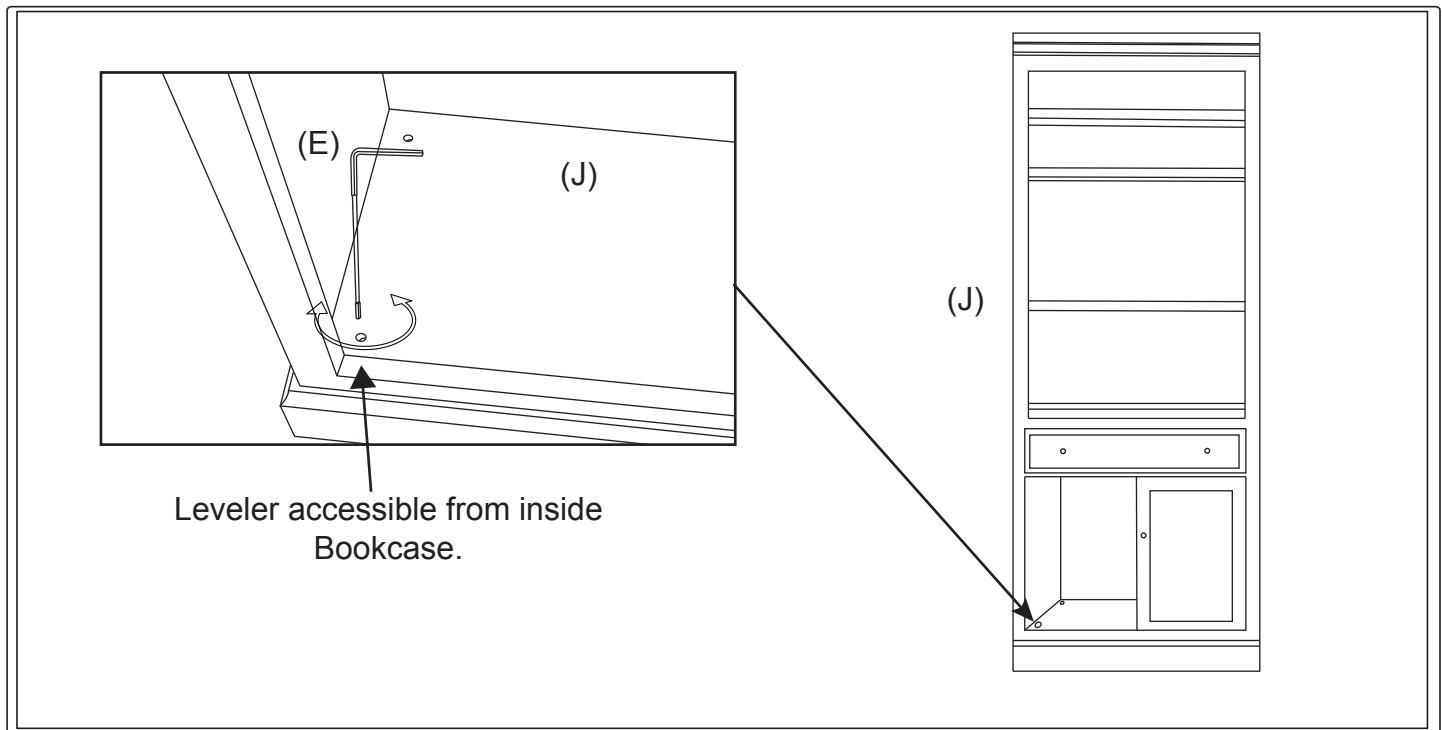
STEP 2: Stand Bookcase (J) upright and install Crown Molding (H) to upper sides. Orient Crown Molding with square edge to back then insert Bolts (D) through pre-drilled holes in upper inside of Bookcase and into T-nuts in molding. Use a screwdriver to firmly tighten.



STEP 3: Determine placement for Shelves (I) then insert Shelf Supports (A) into corresponding pre-drilled holes inside Bookcase (J). Tilt in and gently lay Shelf upon Supports.

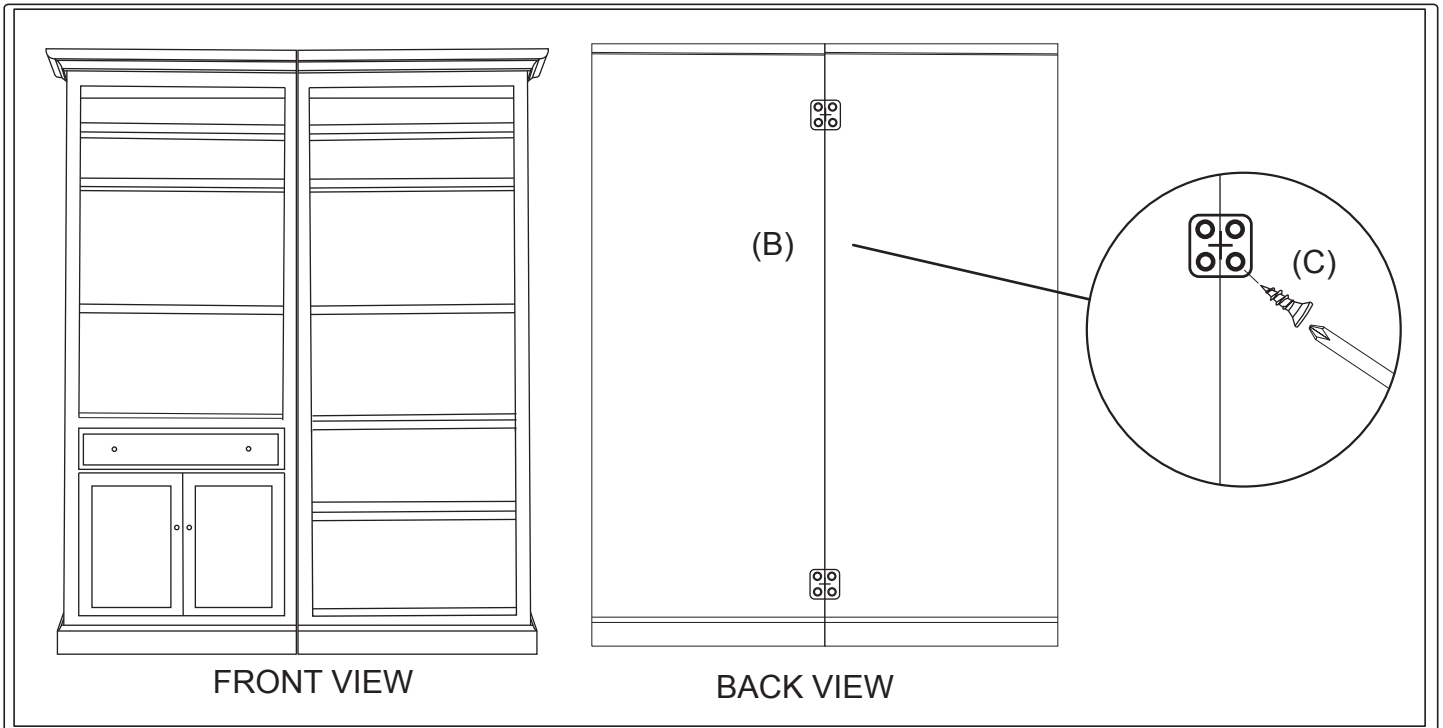


STEP 4: Bookcase (J) is equipped with Levelers under each corner which are accessible from the bottom INSIDE of Bookcase. If necessary, insert Leveler Tool (E) into opening in corner(s) and turn clockwise/counterclockwise to adjust. NOTE: Take care during leveling process to prevent Bookcase from tipping over. A second person holding Bookcase is advised.



STEP 5: (OPTIONAL) Multiple Casa Florentina Josephina components (each sold separately) may be joined together into a single unit. First, remove Crown and Base Molding (Steps 1 and 2) on sides of units that abut one another. Push units together and use Connector Brackets (B) to join at seams on back side. Use a screwdriver to firmly tighten Screws (C).

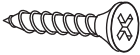
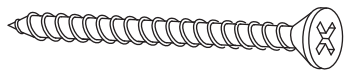
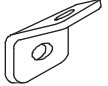

NOTE: Align cross imprinted into Connector Bracket directly over seam between units. This will ensure screws are secured into wood side panels and NOT backer board.



Cleaning & Care:

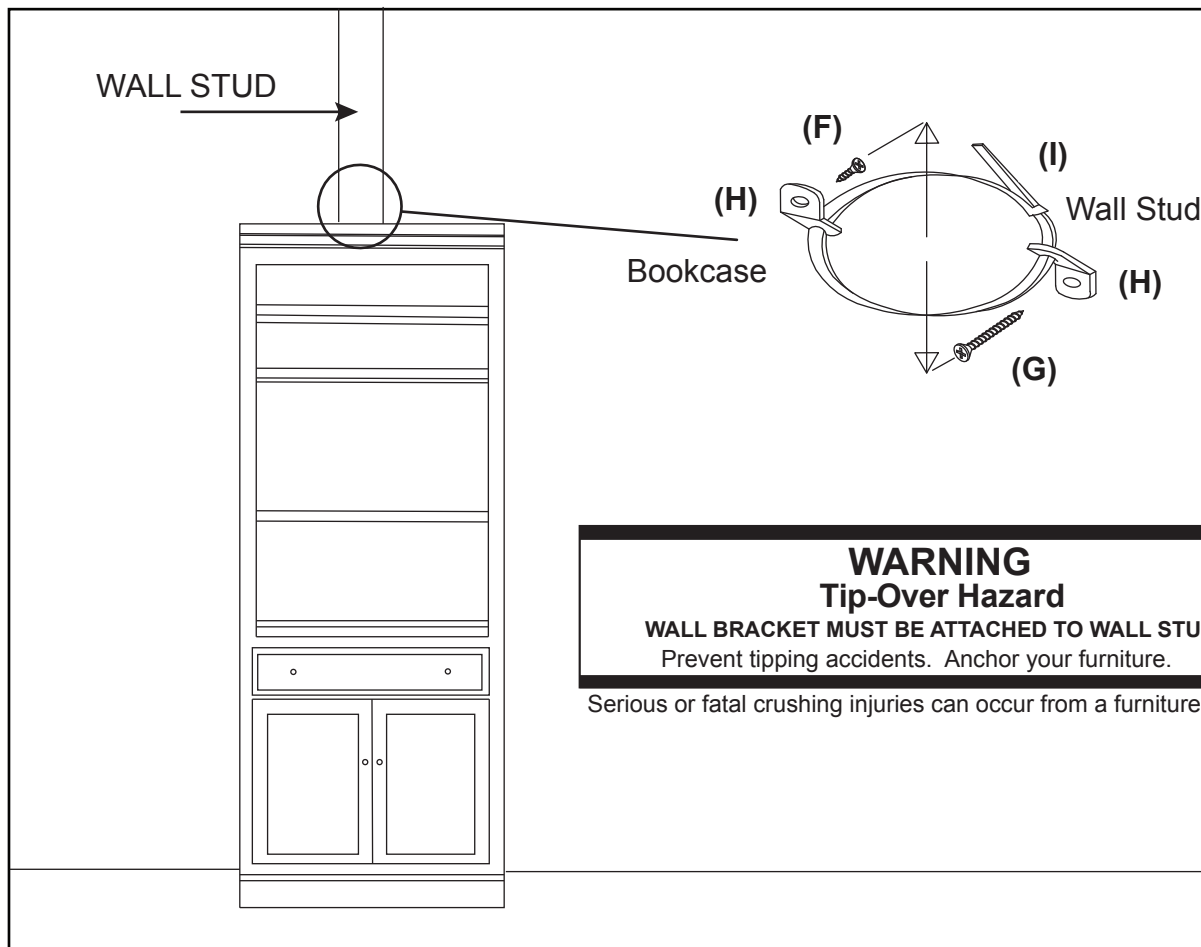
DO NOT use alcohol based products or spray polisher as they can damage the finish. Dust with soft cloth. Finish can be affected by heat or extended contact with oils or wine.

ANTI-TIP ANCHORING HARDWARE (Part F)

| Ltr. | Qty. | Hardware Included | |
|------|------|---|----------------|
| F | 2 |  | Small Screw |
| G | 2 |  | Large Screw |
| H | 4 |  | Brackets |
| I | 2 |  | Retention Belt |

Anti-Tip Hardware Installation

1. Locate and mark a Wall Stud behind Bookcase at location for installation.
2. Corresponding to Stud location, attach one Bracket (C) to back of Bookcase using Small Screw (B).
3. To keep hardware out of view after installation, attach remaining Bracket (C) **INTO WALL STUD** with Large Screw (A) 2 inches below Bracket attached to back of Bookcase.
4. Move Bookcase into place, align Brackets then connect both using Retention Belt (D).
5. Confirm Belt is securely laced and locked.



WARNING
Tip-Over Hazard
WALL BRACKET MUST BE ATTACHED TO WALL STUD
 Prevent tipping accidents. Anchor your furniture.

Serious or fatal crushing injuries can occur from a furniture tip-over