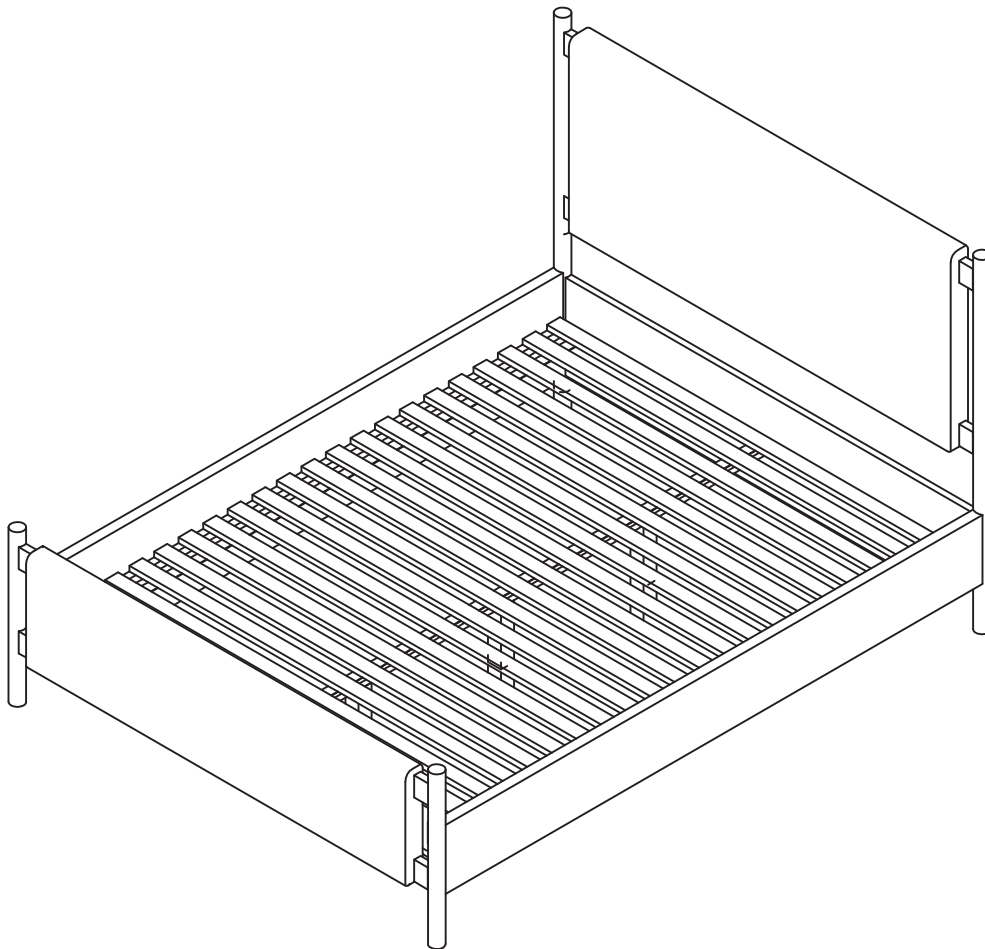




PRODUCT NAME: Teigan Bed


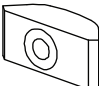





ITEM NUMBER: NB008

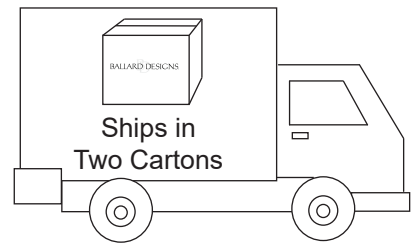
ASSEMBLED DIMENSIONS : QUEEN - 48"H x 65 1/4"W x 84 1/4"L



**Prevent accidentally discarding small parts or hardware. Retain all carton contents until assembly and installation are complete.**

**⚠ Assemble in location for intended use.**

Ltr.	Qty.	Hardware Included
A	8	 Threaded Studs 5/16" x 3 9/16"
B	8	 Half-Moon Washers 5/16"
C	8	 Wood Dowels 3/8" x 1 9/16"
D	8	 Hex Nuts 5/16"
E	10	 Wood Screws 5/16" x 1 3/16"
F	1	 Wrench 5/16"
G	8	 Plastic Covers

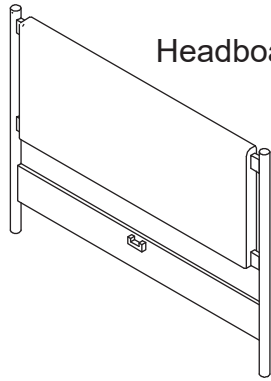
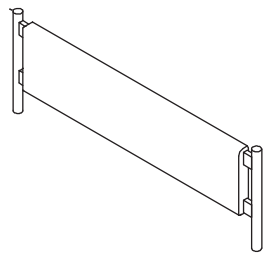
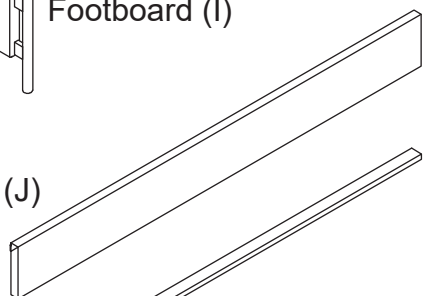
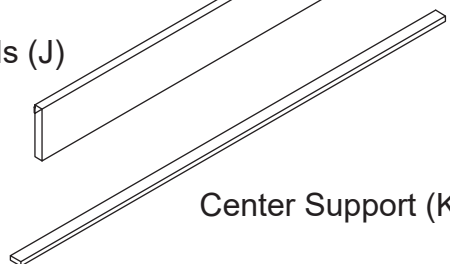

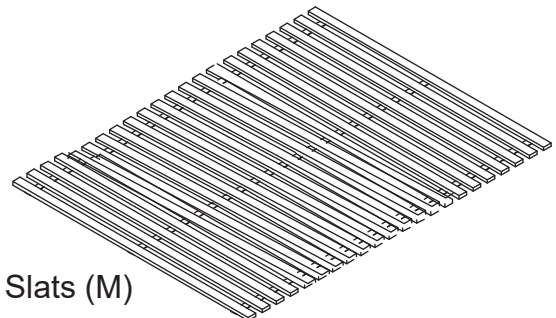


**TOOLS REQUIRED:**  
Wrench (included), Phillips Screwdriver  
-Two person assembly suggested.

Remove all parts, hardware and protective packaging from carton and carefully arrange on a clean, level, padded surface.



**PROTECT YOUR FLOORS**  
Lift Bed when moving.  
Do not slide over floor surface.

Ltr.	Qty.	Components
H	1	 Headboard (H)
I	1	 Footboard (I)
J	2	 Side Rails (J)
K	1	 Center Support (K)
L	3	 Support Feet (L)
M	1	 Slats (M)



**Cleaning and Care**

Periodically dust with a soft, dry cloth.  
Protect surfaces to prevent damage.  
Do not use alcohol based cleaners or polishes.

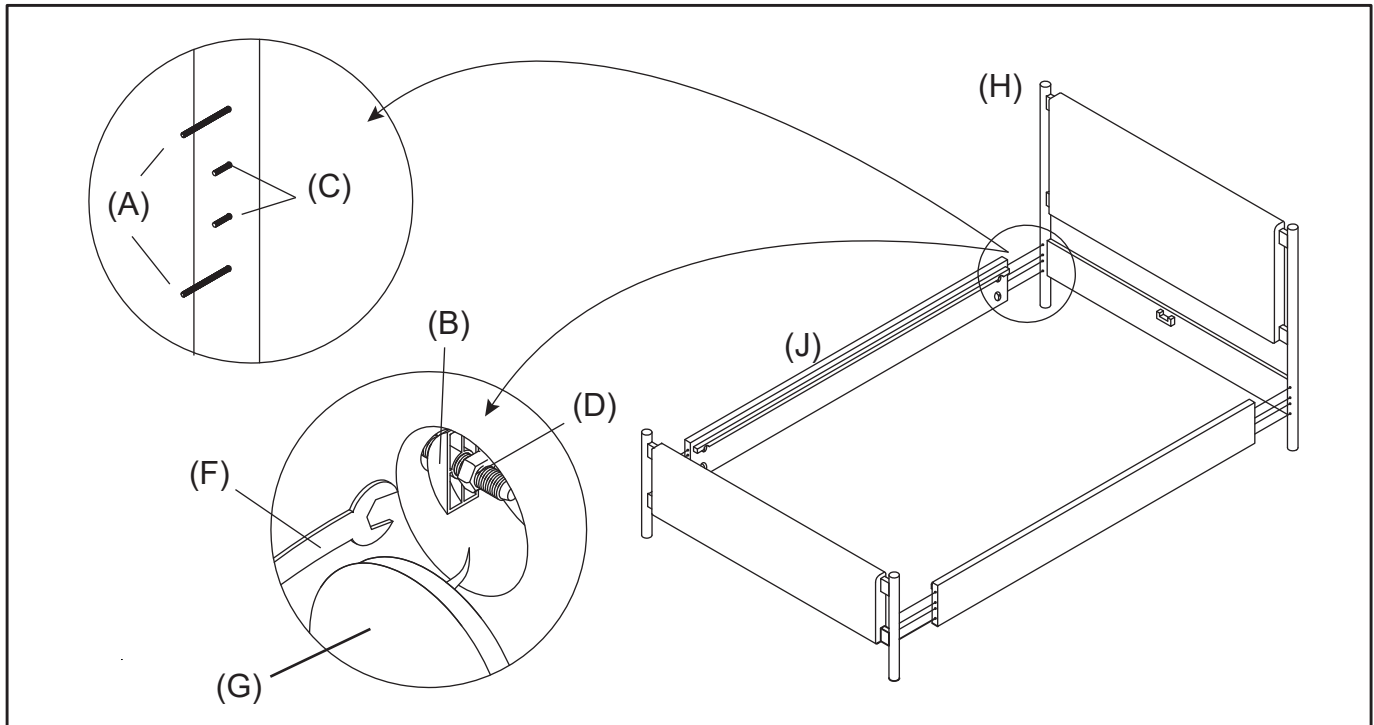


Customer Service: 800-367-2810  
Online: [www.ballarddesigns.com](http://www.ballarddesigns.com)

**⚠ Assemble in location for intended use.**

### STEP 1: ATTACH SIDE RAILS TO HEADBOARD AND FOOTBOARD

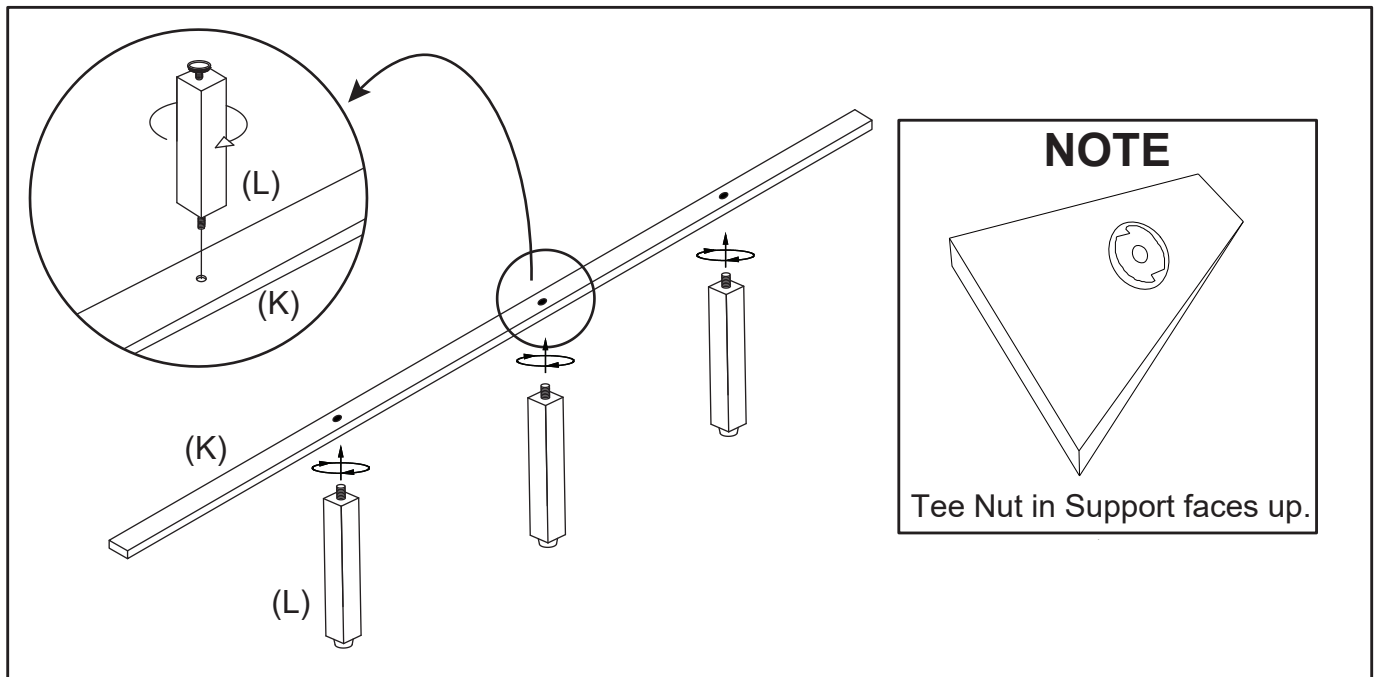
Insert and tighten Studs (A) and push in Wood Dowels (C) into both sides of Headboard (H). Align holes in Side Rails (J) over ends of Studs and Dowels then add Half-Moon Washer (B) followed Hex Nut (D). Using Wrench (F), firmly tighten Nuts until Side Rails are secured to Headboard. Cover opening with Plastic Cover (G). Repeat process for Footboard.



### STEP 2: ATTACH SUPPORT FOOT (3) TO CENTER SUPPORT

Remove protective plastic covering from each Stud on Support Foot (L) then insert each into holes in Center Support (K).

**NOTE: Metal Tee Nut faces up. Insert Support Foot from the side opposite nut. Firmly tighten and secure.**



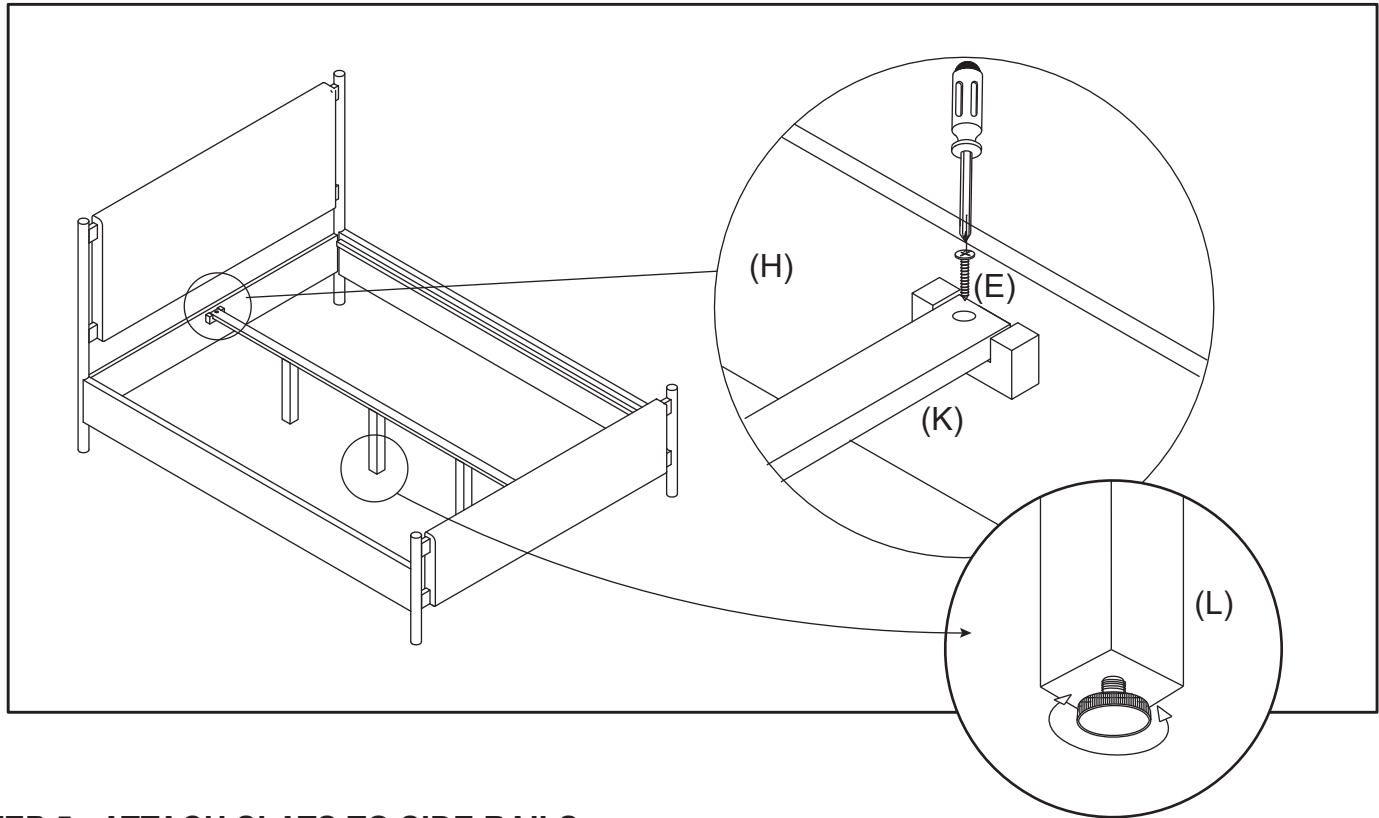
 Assemble in location for intended use.

### STEP 3: ATTACH CENTER SUPPORT TO HEADBOARD AND FOOTBOARD

Set Center Support (K) into place with ends on the ledge of the Headboard (H) and Footboard (I). Use Screws (E) to firmly secure each into place.

### STEP 4: ADJUST LEVELERS

Each Support Foot (L) is equipped with a Rotary Leveler. If necessary, adjustments may be made by turning Leveler clockwise/counterclockwise.



### STEP 5: ATTACH SLATS TO SIDE RAILS

Evenly space Slats (M) with ends on the ledge of the Side Rails (J). Use Screws (E) to firmly secure each into place.

