

BALLARD DESIGNS®

ABOUT THE BALDWIN UPHOLSTERED COLLECTION

Thank you for your interest in our Baldwin Upholstered Collection. We developed this informational packet to take the guesswork out of making your selection and placing your order. However, if you have questions not addressed below, please call us at 800-535-8776. One of our representatives will be glad to assist you.

DESIGN & CONSTRUCTION

Our Baldwin Upholstered Collection offers traditional looks and incredible sink-in comfort. Meticulously crafted for years of durable wear, the engineered hardwood frame is kiln-dried and bench-made in the USA. Supportive foam core cushions are wrapped in ultra-comfortable down blend.

The collection includes a Queen Sleeper version of the Sofa. The steel frame is oven-tempered for a long-lasting, even sleep surface with extra support, it features an easy-glide mechanism allows the bed to unfold without removal of the slipcover. Double-locking TV headrest and a 5" thick, allergy-free innerspring mattress (72"L x 60"W) provide a level of comfort unmatched by other sofa beds. When fully-extended, the Queen Sleeper is 97"L.

UPHOLSTERY & FINISH

Customize your Baldwin Upholstered Collection in hundreds of fabrics from our beautifully curated collection, including family-friendly performance styles, or send us your own.

ORDERING AND DELIVERY

To place an order, please call 800-535-8776.

ITEM	ITEM#	ITEM	ITEM#
3 Seat Sofa	US162	Corner Chair	US341
2 Seat Sofa	US743	Corner Wedge	US595
Queen Sleeper	US164	Left Arm Chair	US421
Apartment Sofa	US163	Right Arm Chair	US422
Loveseat	US165	Armless Chair	US512
Chaise	UH016	2pc Sectional	US342
Club Chair	UC168	- Left Arm Chaise & Right Arm Loveseat	
Club Ottoman	UO087	2pc Sectional	US343
Club Chair & Ottoman	UC169	- Right Arm Chaise & Left Arm Loveseat	
Left Arm Loveseat	US336	3pc Sectional	US344
Right Arm Loveseat	US337	- Corner, Left Arm Loveseat & Right Arm Loveseat	
Armless Loveseat	US338	4pc Sectional	US345
Left Arm Chaise	US339	- Left Arm Chaise, Right Arm Loveseat, Armless Loveseat & Corner	
Right Arm Chaise	US340	4pc Sectional	US346
		- Right Arm Chaise, Left Arm Loveseat, Armless Loveseat & Corner	

Please note: Send continuous yardage only; we cannot use multiple pieces of material. **Yardage must be on a bolt, not folded.**

OP416 1/25

5568 West Chester Rd. • West Chester, OH 45069 • 800-535-8776 • ballarddesigns.com

BALLARD DESIGNS®

CUSTOMER'S-OWN-MATERIAL (COM) INFORMATION FOR BALDWIN UPHOLSTERED COLLECTION

FABRIC REQUIREMENTS

Please Note: All fabric must be at least 54" wide.

NON-RAILROADED					
ITEM NAME	PLAIN FABRIC	1"-14" REPEAT	15"-24" REPEAT	25"-27" REPEAT	28"-36" REPEAT
3 Seat Sofa	29 yd	31 yd	32 yd	33 yd	34 yd
2 Seat Sofa	30 yd	32 yd	33 yd	34½ yd	35½ yd
Queen Sleeper	31½ yd	34 yd	35 yd	36 yd	37½ yd
Apartment Sofa	25 yd	27 yd	28 yd	29 yd	30 yd
Loveseat	23½ yd	25 yd	26 yd	27 yd	28 yd
Chaise	20 yd	21 yd	22 yd	22½ yd	23½ yd
Club Chair	17 yd	18 yd	19 yd	20 yd	20½ yd
Club Ottoman	5½ yd	5½ yd	6 yd	6 yd	6½ yd
Club Chair & Ottoman	22½ yd	23½ yd	25 yd	26 yd	27 yd
Left or Right Arm Loveseat	22 yd	24 yd	25 yd	26 yd	27 yd
Armless Loveseat	21 yd	22½ yd	23 yd	24 yd	25 yd
Left or Right Arm Chaise	18½ yd	19½ yd	20½ yd	21 yd	22 yd
Corner Chair	18½ yd	19½ yd	20½ yd	21 yd	22 yd
Corner Wedge	22 yd	24 yd	24½ yd	25½ yd	26½ yd
Left/Right Arm Chair	17 yd	18 yd	19 yd	19½ yd	20 yd
Armless Chair	11½ yd	12½ yd	13 yd	13½ yd	14 yd
2pc Sectional (both configurations)	40½ yd	43½ yd	45½ yd	47 yd	49 yd
3pc Sectional	62½ yd	67½ yd	70½ yd	73 yd	76 yd
4pc Sectional (both configurations)	80 yd	85½ yd	89 yd	92 yd	96 yd

Please note: Send continuous yardage only; we cannot use multiple pieces of material. **Yardage must be on a bolt, not folded.**

OP416 1/25

5568 West Chester Rd. • West Chester, OH 45069 • 800-535-8776 • ballarddesigns.com

BALLARD DESIGNS®

RAILROADED					
ITEM NAME	PLAIN FABRIC	1"-14" REPEAT	15"-24" REPEAT	25"-27" REPEAT	28"-36" REPEAT
3 Seat Sofa	22 yd	24 yd	25½ yd	26½ yd	27½ yd
2 Seat Sofa	23 yd	25½ yd	26½ yd	27½ yd	28½ yd
Queen Sleeper	24 yd	26½ yd	28 yd	29 yd	30 yd
Apartment Sofa	19 yd	21 yd	22 yd	23 yd	24 yd
Loveseat	18 yd	20 yd	21 yd	22 yd	23 yd
Chaise	15 yd	16½ yd	17½ yd	18 yd	19 yd
Club Chair	13 yd	14½ yd	15 yd	16 yd	16½ yd
Club Ottoman	4 yd	4½ yd	5 yd	5 yd	5 yd
Club Chair & Ottoman	17 yd	19 yd	20 yd	21 yd	21½ yd
Left or Right Arm Loveseat	17 yd	19 yd	20 yd	20½ yd	21 yd
Armless Loveseat	16 yd	17½ yd	18½ yd	19 yd	20 yd
Left or Right Arm Chaise	14 yd	15½ yd	16 yd	17 yd	18 yd
Corner Chair	14 yd	15½ yd	16 yd	17 yd	18 yd
Corner Wedge	17 yd	19 yd	19½ yd	20½ yd	21 yd
Left/Right Arm Chair	13 yd	14½ yd	15 yd	15½ yd	16 yd
Armless Chair	9 yd	10 yd	10½ yd	11 yd	11½ yd
2pc Sectional (both configurations)	31 yd	34½ yd	36 yd	37½ yd	39 yd
3pc Sectional	48 yd	53½ yd	56 yd	58 yd	60 yd
4pc Sectional (both configurations)	61 yd	67½ yd	70½ yd	73½ yd	77 yd

Please note: Send continuous yardage only; we cannot use multiple pieces of material. **Yardage must be on a bolt, not folded.**

OP416 1/25

5568 West Chester Rd. • West Chester, OH 45069 • 800-535-8776 • ballarddesigns.com

BALLARD DESIGNS®

ABOUT BALLARD'S "CUSTOMER'S-OWN-MATERIAL" SERVICE

For a truly custom look, we'll expertly upholster your favorite Ballard Designs piece using your own material – just follow the guidelines below. Our Product Specialists are standing by to answer any questions and to help place your COM order.

SELECTING YOUR FABRIC

What fabrics will we NOT accept?

- Leather
- Silk
- Vinyl
- Fabric with flaws
- Sheets
- Rugs
- Quilted pieces
- Striped patterns or plaids for tufted furniture (tufting process distorts the stripes)

Other helpful things to know when selecting your fabric:

- If your fabric features a central design, we will make every effort to center it on your item, when specified on the order form.
- Any stripes will be arranged vertically, unless you request horizontal striping.
- We only accept continuous yardage.
- Contrasting fabrics only accepted on select items (please call for details).
- **Inadequate fabric WILL delay your order.**
- **We reserve the right to refuse the fabric if it will compromise the quality of the piece.**
- **Many customers choose a Ballard Fabric-by-the-Yard for their COM; please call for information or see our selection online.**

PREPARING AND SENDING YOUR FABRIC

How should you prepare the fabric you send?

- Inspect the fabric for flaws.
- See the attached page for yardage requirements; Yardage must be on a bolt, NOT folded.
- Measure carefully (excess fabric cannot be returned).

How do you order this service and what to do then?

- Please call 1-800-535-8776 or email com@ballarddesigns.net to request an order form. (You must have this form to avoid delays.)
- Please cut a small swatch (at least 1" sq.) and staple to your order form with the correct side facing up (this precautionary measure helps ensure that your fabric can be matched to the order form in the unlikely event they were to become separated).
- Please indicate on your order form if your fabric will be sent in separate packages.
- Please make sure the mailing label of your package matches the address printed on the order form.
- Please also provide your name, return address, and a phone number where you can be reached.
- An estimated delivery time is available when you place your order.
- Fabric and completed order form must be received before we can place your order.

Please note: All COM furniture is made to order. Therefore, these items are non-returnable.

If you have ANY concerns or would like to place an order, please call our Product Specialists at 800-535-8776.

BALLARD DESIGNS®

ABOUT “RAILROADED” FABRIC IN CUSTOM UPHOLSTERY

To help you select fabric that will result in a top-quality custom look for your COM upholstered furniture, we've put together the additional guidelines below.

NON-RAILROADED FABRIC:

Generally, fabric patterns are printed or woven vertically along the bolt. Since most fabrics are 54" wide, a sofa upholstered in a vertical-print fabric will usually have two seams, as shown in Figure 1. Note: Upholstering with vertical-print fabrics generally requires more yardage than is needed with horizontal-print fabrics (see below).

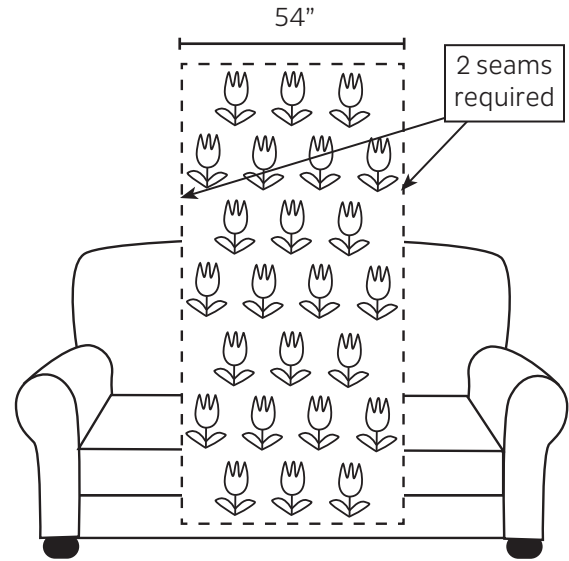


Figure 1

RAILROADED FABRIC:

Sometimes, the fabric's pattern is printed or woven horizontally across the bolt (see Figure 2).

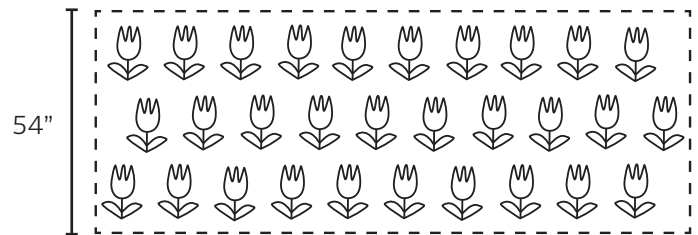


Figure 2

In upholstery terminology, this means that the fabric runs across the furniture horizontally, thereby eliminating vertical seams and providing a more professional look, as shown in Figure 3.

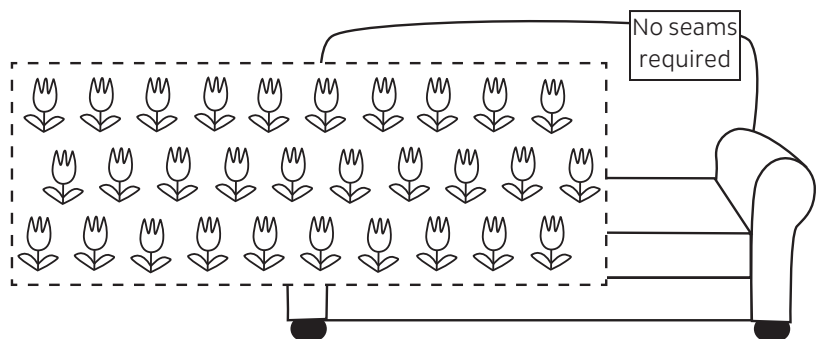


Figure 3

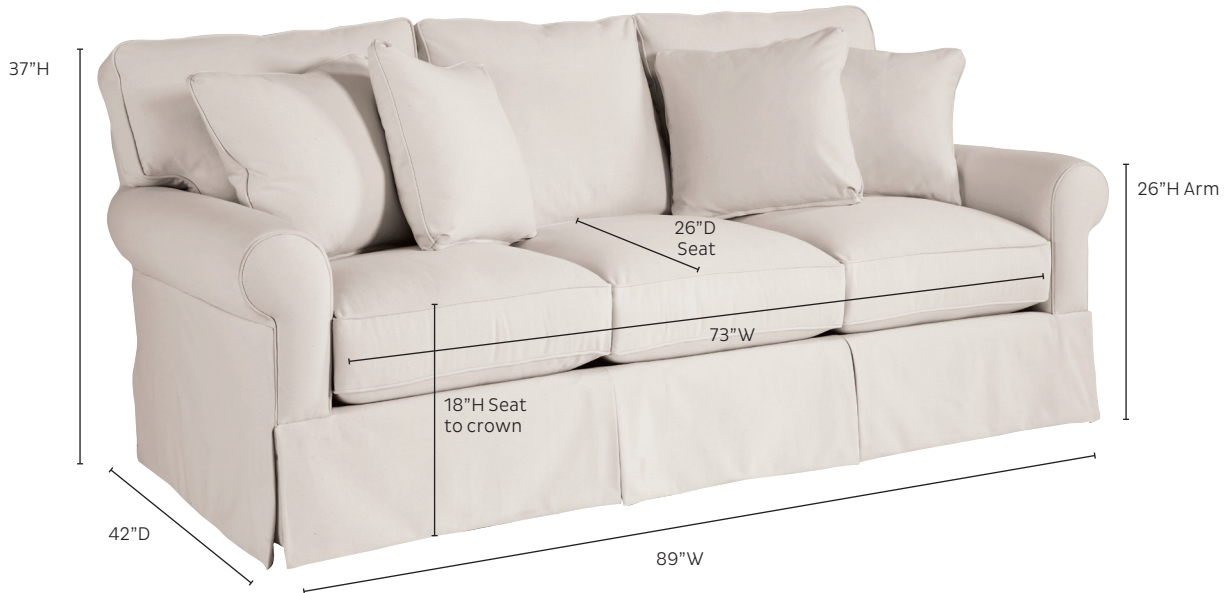
OP416 1/25

BALLARD DESIGNS®

ABOUT THE BALDWIN UPHOLSTERED COLLECTION

DIMENSIONS* SEE NOTE

3 SEAT SOFA (US162) OR 89" QUEEN SLEEPER (US164)
FOUR MATCHING THROW PILLOWS INCLUDED



APARTMENT SOFA (US163),
FOUR MATCHING THROW PILLOWS INCLUDED

LOVESEAT (US165),
TWO MATCHING THROW PILLOWS INCLUDED

2 SEAT SOFA (US743),
TWO MATCHING THROW PILLOWS INCLUDED



*Due to manufacturing variances, all upholstery dimensions can vary up to 1/2".

OP416 1/25

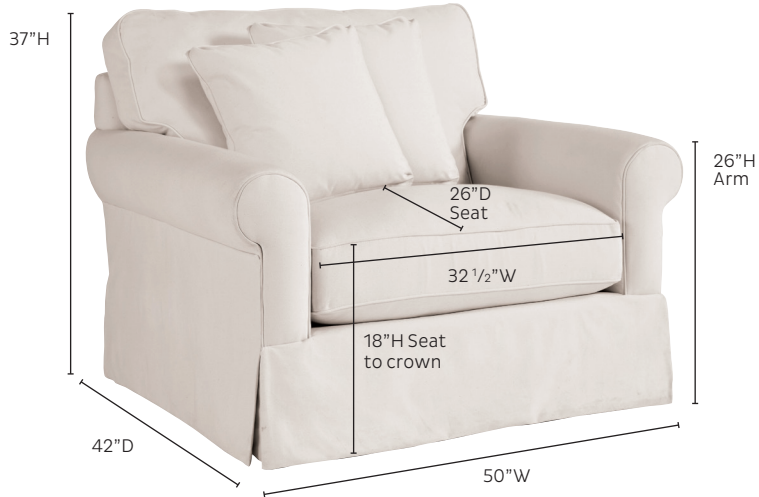
5568 West Chester Rd. • West Chester, OH 45069 • 800-535-8776 • ballarddesigns.com

BALLARD DESIGNS®

ABOUT THE BALDWIN UPHOLSTERED COLLECTION

DIMENSIONS* SEE NOTE

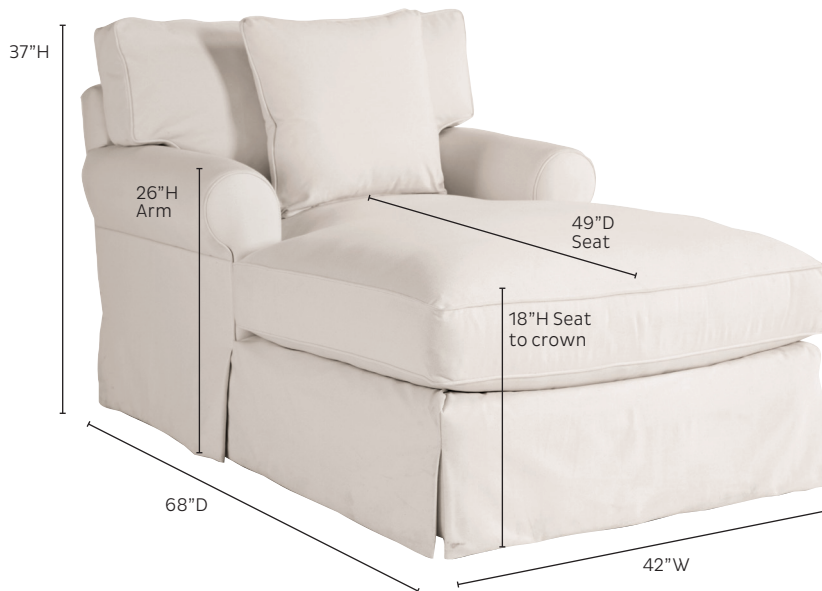
CLUB CHAIR (UC168)
CLUB CHAIR & OTTOMAN (UC169)
TWO MATCHING THROW PILLOWS INCLUDED



OTTOMAN (UO087)



CHAISE (UH016)
ONE MATCHING THROW PILLOW INCLUDED



*Due to manufacturing variances, all upholstery dimensions can vary up to 1/2".

OP416 1/25

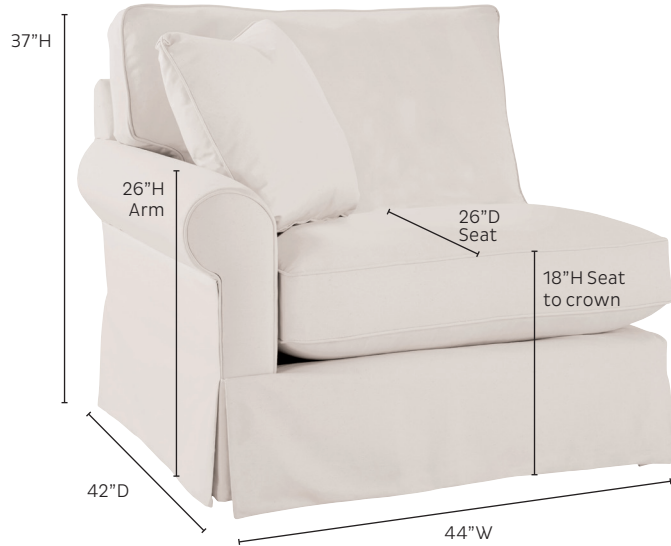
5568 West Chester Rd. • West Chester, OH 45069 • 800-535-8776 • ballarddesigns.com

BALLARD DESIGNS®

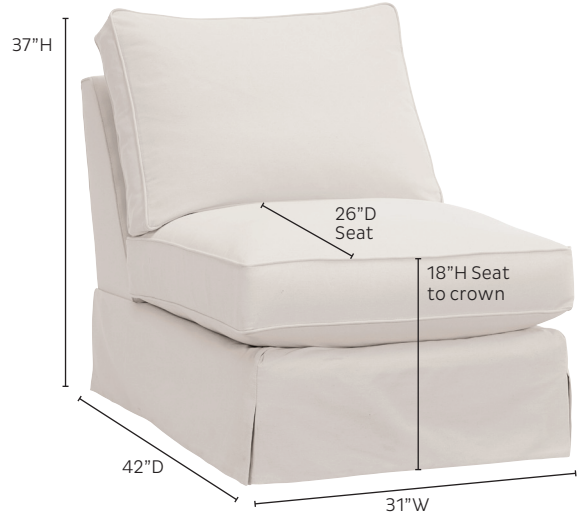
ABOUT THE BALDWIN UPHOLSTERED COLLECTION

DIMENSIONS* SEE NOTE

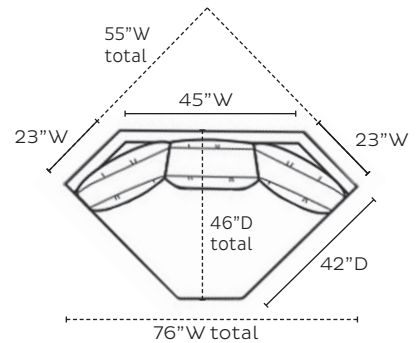
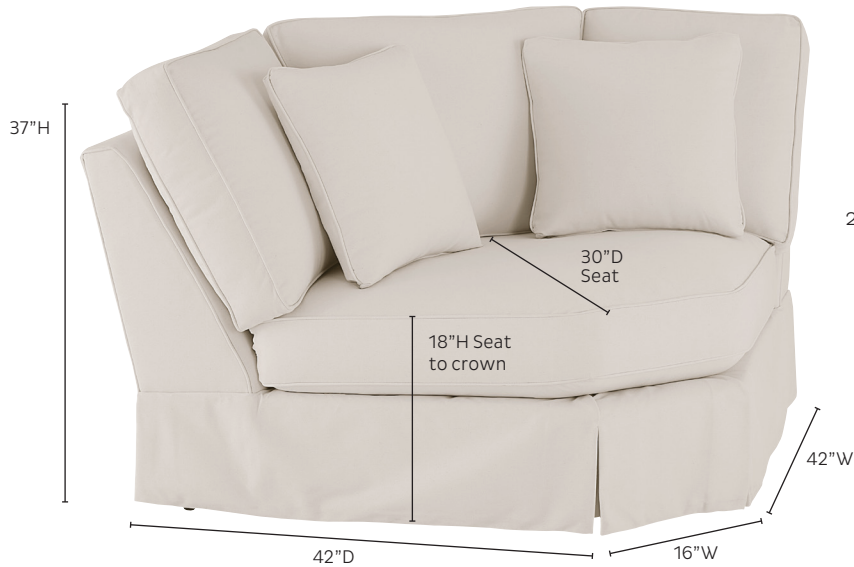
LEFT ARM CHAIR (US421) shown
 RIGHT ARM CHAIR (US422)
 ONE MATCHING THROW PILLOW INCLUDED



ARMLESS CHAIR (US512)



CORNER WEDGE (US595)



*Due to manufacturing variances, all upholstery dimensions can vary up to 1/2".

OP416 1/25

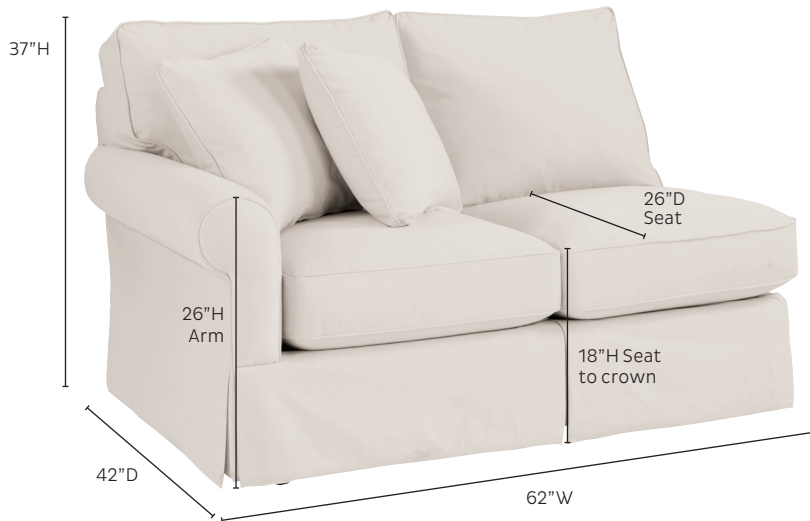
5568 West Chester Rd. • West Chester, OH 45069 • 800-535-8776 • ballarddesigns.com

BALLARD DESIGNS®

ABOUT THE BALDWIN UPHOLSTERED COLLECTION

DIMENSIONS* SEE NOTE

LEFT LOVESEAT (US336) shown
RIGHT LOVESEAT (US337)
ONE MATCHING THROW PILLOW INCLUDED



ARMLESS LOVESEAT (US338)



*Due to manufacturing variances, all upholstery dimensions can vary up to 1/2".

OP416 1/25

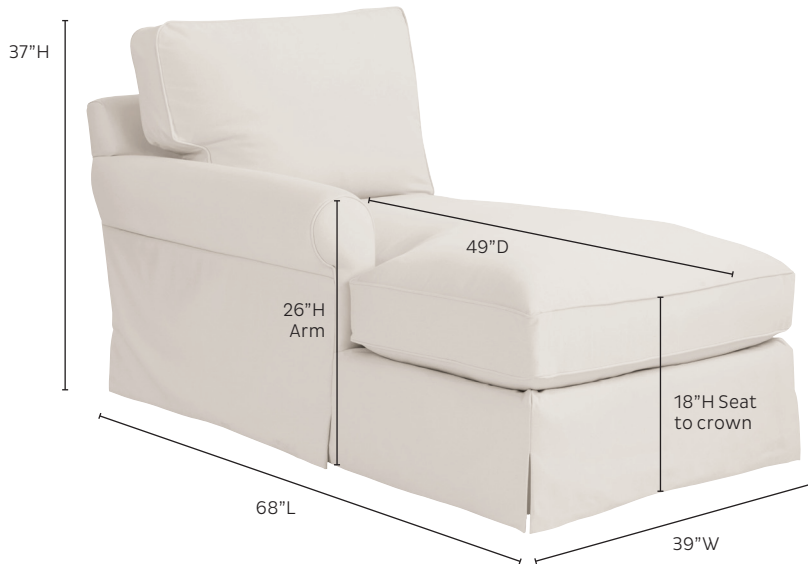
5568 West Chester Rd. • West Chester, OH 45069 • 800-535-8776 • ballarddesigns.com

BALLARD DESIGNS®

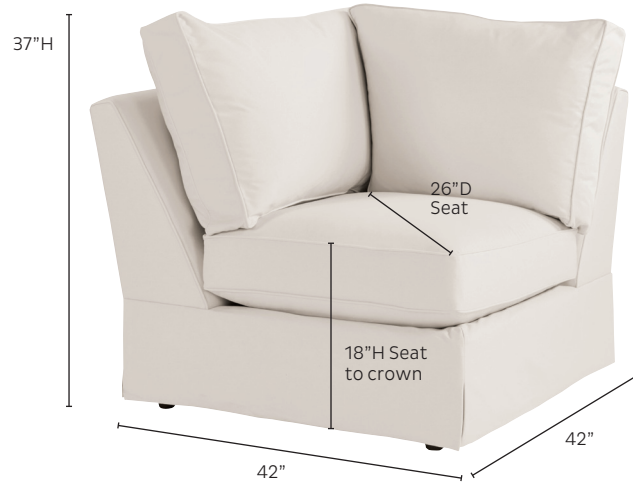
ABOUT THE BALDWIN UPHOLSTERED COLLECTION

DIMENSIONS* SEE NOTE

LEFT ARM CHAISE (US339) shown
RIGHT ARM CHAISE (US340)



CORNER CHAIR (US341)



*Due to manufacturing variances, all upholstery dimensions can vary up to 1/2".

OP416 1/25

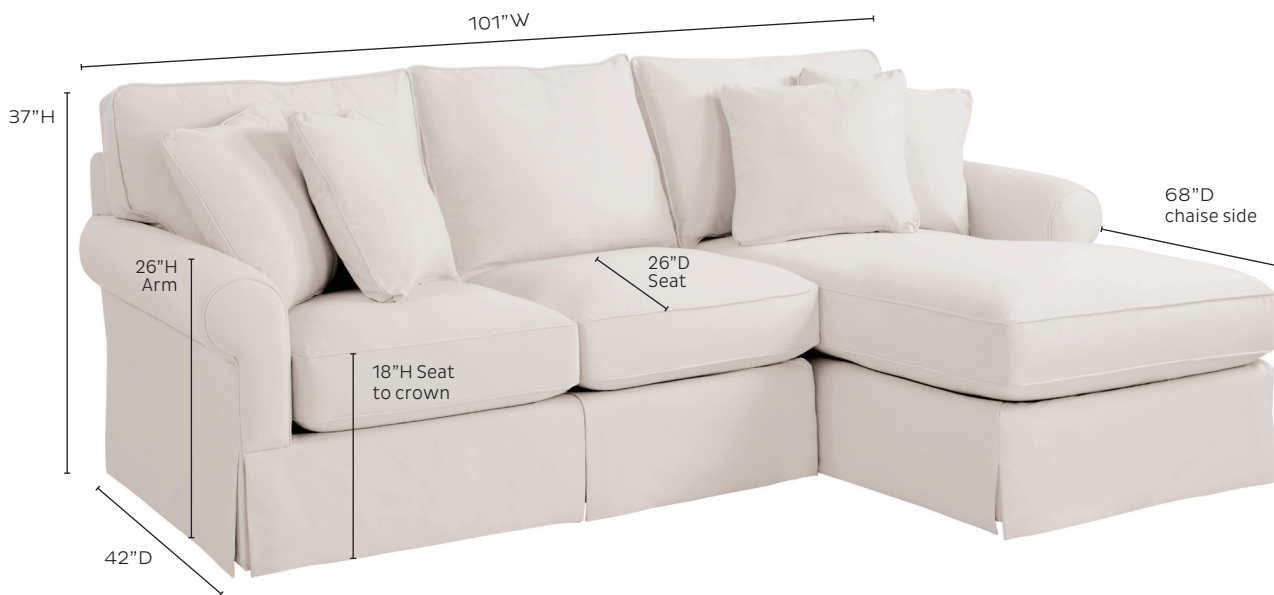
5568 West Chester Rd. • West Chester, OH 45069 • 800-535-8776 • ballarddesigns.com

BALLARD DESIGNS®

ABOUT THE BALDWIN UPHOLSTERED COLLECTION

DIMENSIONS* SEE NOTE

2PC SECTIONAL - Left Arm Chaise & Right Arm Loveseat (US342)
(shown) 2PC SECTIONAL - Right Arm Chaise & Left Arm Loveseat (US343)
FOUR MATCHING THROW PILLOWS INCLUDED
PLEASE NOTE: LEFT OR RIGHT ARM IS DETERMINED BY FACING THE ITEM.



*Due to manufacturing variances, all upholstery dimensions can vary up to 1/2".

OP416 1/25

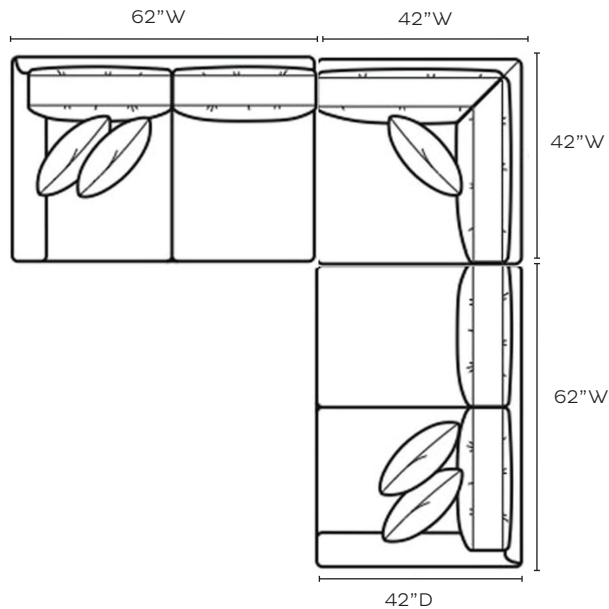
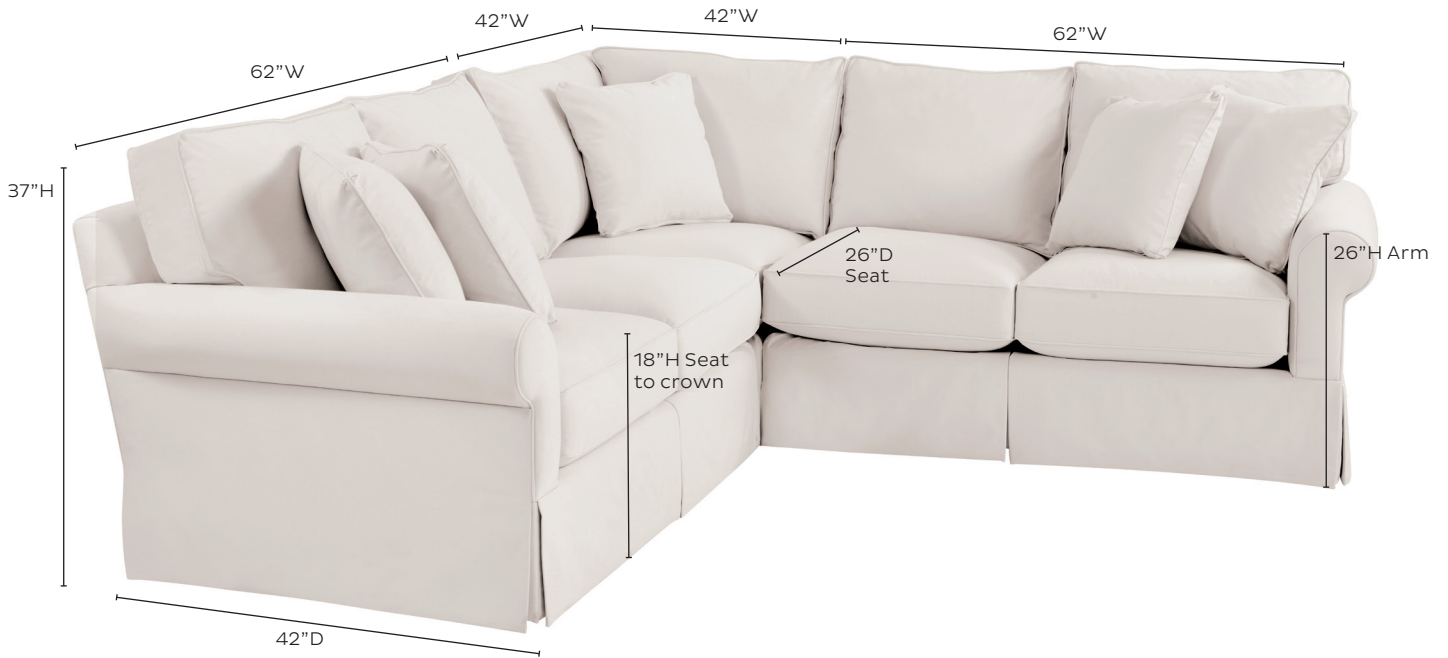
5568 West Chester Rd. • West Chester, OH 45069 • 800-535-8776 • ballarddesigns.com

BALLARD DESIGNS®

ABOUT THE BALDWIN UPHOLSTERED COLLECTION

DIMENSIONS* SEE NOTE

3PC SECTIONAL (US344) - Corner, Left Arm Loveseat & Right Arm Loveseat
FIVE MATCHING THROW PILLOWS INCLUDED



*Due to manufacturing variances, all upholstery dimensions can vary up to 1/2".

OP416 1/25

5568 West Chester Rd. • West Chester, OH 45069 • 800-535-8776 • ballarddesigns.com

BALLARD DESIGNS®

ABOUT THE BALDWIN UPHOLSTERED COLLECTION

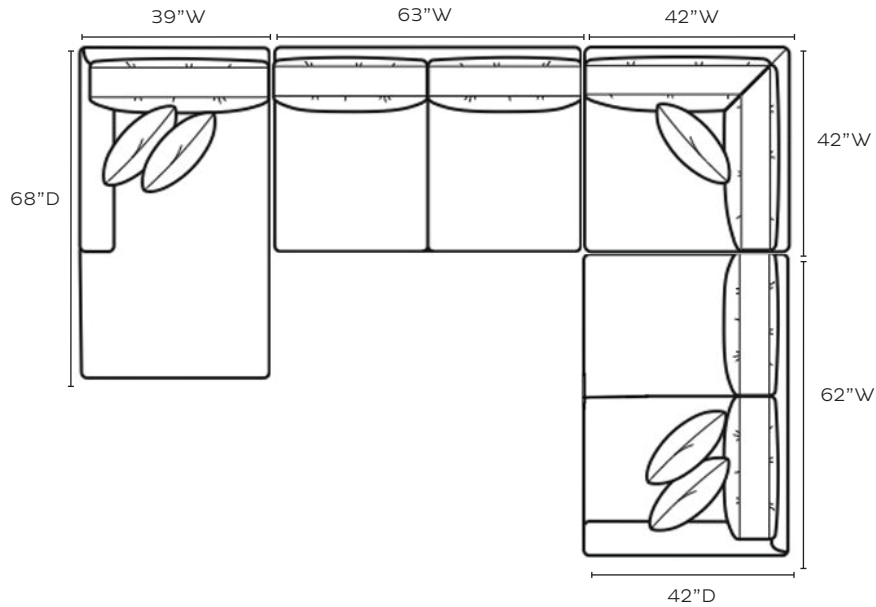
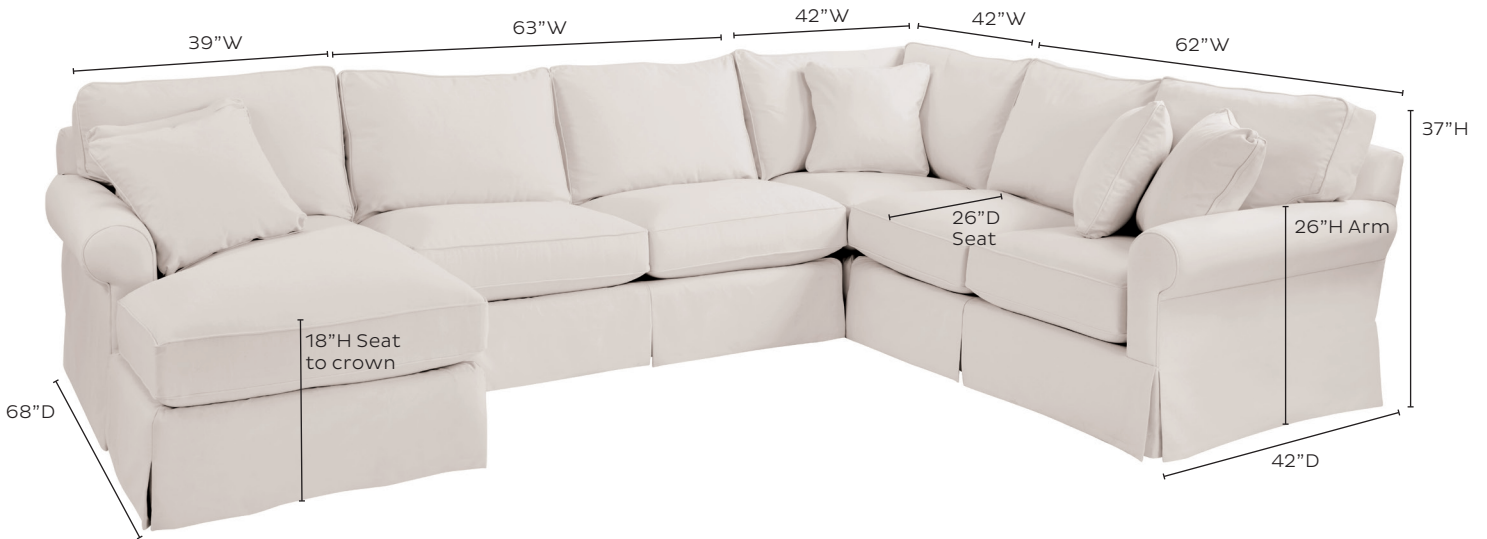
DIMENSIONS* SEE NOTE

(shown) 4PC SECTIONAL - Left Arm Chaise, Right Arm Loveseat, Armless Loveseat & Corner (US345)

4PC SECTIONAL - Right Arm Chaise, Left Arm Loveseat, Armless Loveseat & Corner (US346)

FIVE MATCHING THROW PILLOWS INCLUDED

PLEASE NOTE: LEFT OR RIGHT ARM IS DETERMINED BY FACING THE ITEM.



*Due to manufacturing variances, all upholstery dimensions can vary up to 1/2\".

OP416 1/25

5568 West Chester Rd. • West Chester, OH 45069 • 800-535-8776 • ballarddesigns.com