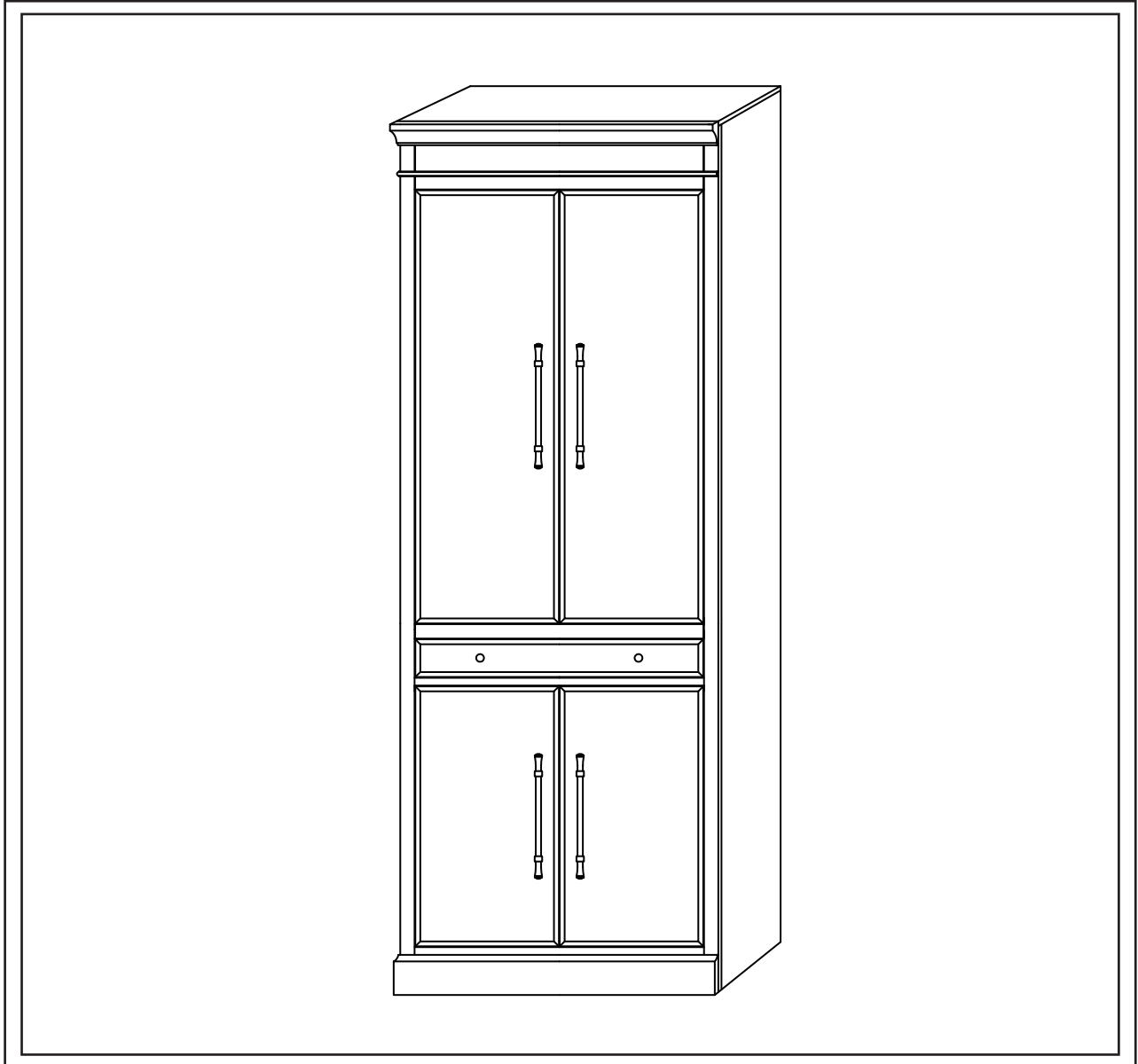


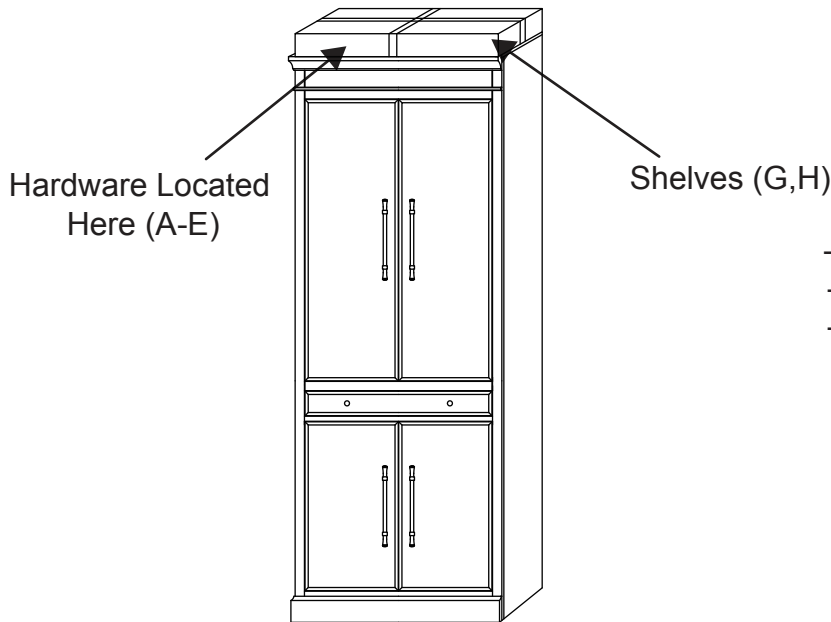
PRODUCT NAME: Paulette Appliance Cabinet

ITEM NUMBER: SK047

DIMENSIONS OF ITEM ASSEMBLED: 83 3/4"H x 30 1/2"W X 18 1/4"D





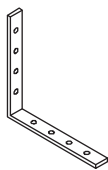


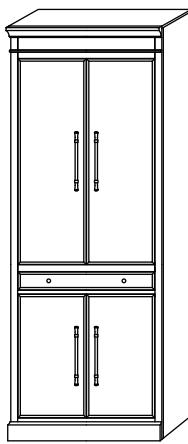
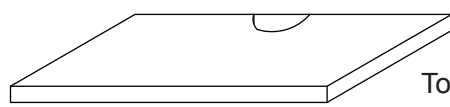
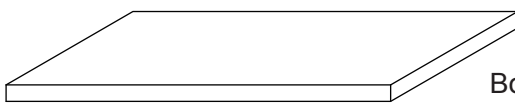
NOTE: Assemble the Cabinet in desired location for use.



**TOOLS NEEDED:**  
 -Requires a Phillips Head screwdriver.  
 -May require a Flat Head screwdriver.  
 -Assembly requires 2 or more people.

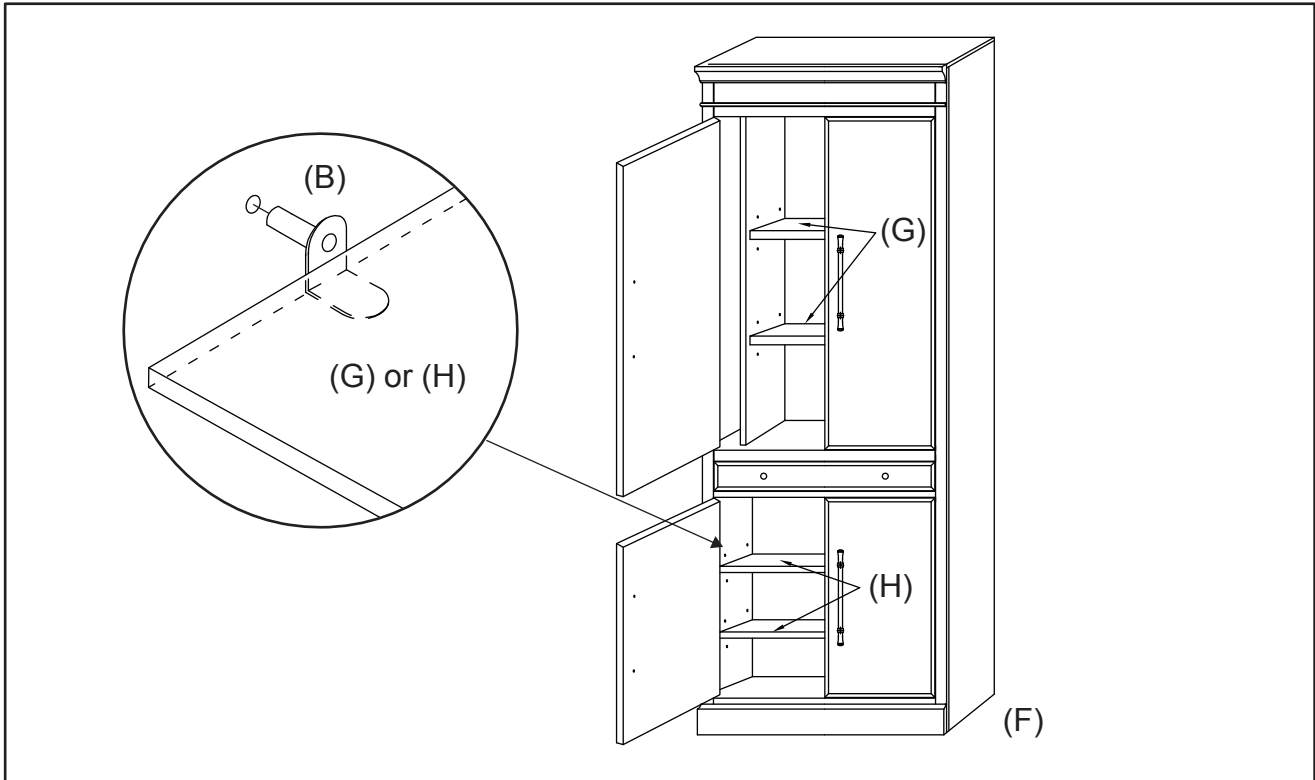
NOTE: When unpacking, lay the parts on a padded surface such as the packaging provided.  
 Be sure to locate all hardware before throwing away any packaging.

Ltr.	Qty.	Hardware Included	
A	16		Screws
B	16		Shelf Supports
C	8		Anchors
D	4		Wood Plugs
E	2		<b>L-Bracket</b> <b>IMPORTANT:</b> Installing the L-Bracket (E) to a Wall Stud and the Cabinet is <b>REQUIRED</b> before any use of the product for customer safety.

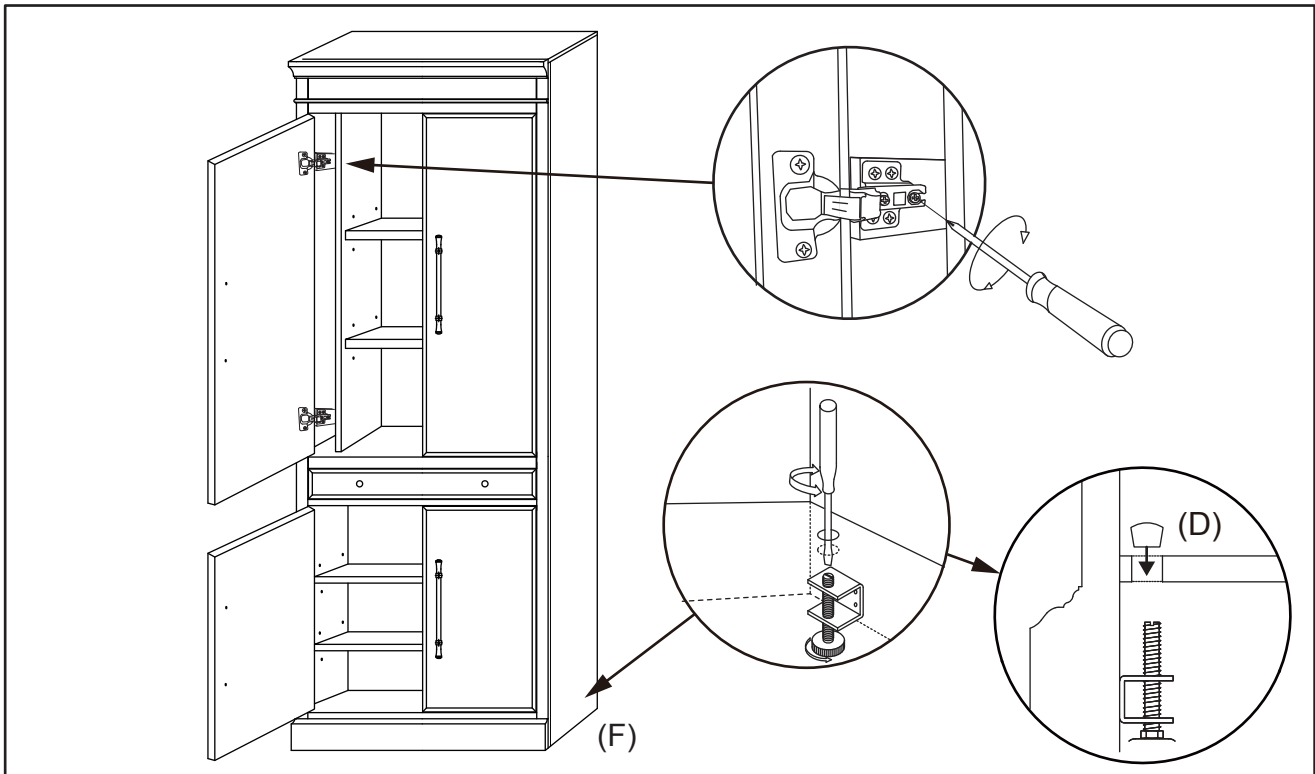
Ltr.	Qty.	Components	
F	1		Cabinet (F)
G	2		Top Shelves (G)
H	2		Bottom Shelves (H)

NOTE: Assemble the Cabinet in desired location for use.

STEP 1: Place the Shelf Supports (B) at the desired Shelf heights in the Cabinet (F) and lay the Top Shelves (G) and Bottom Shelves (H) on the Supports.

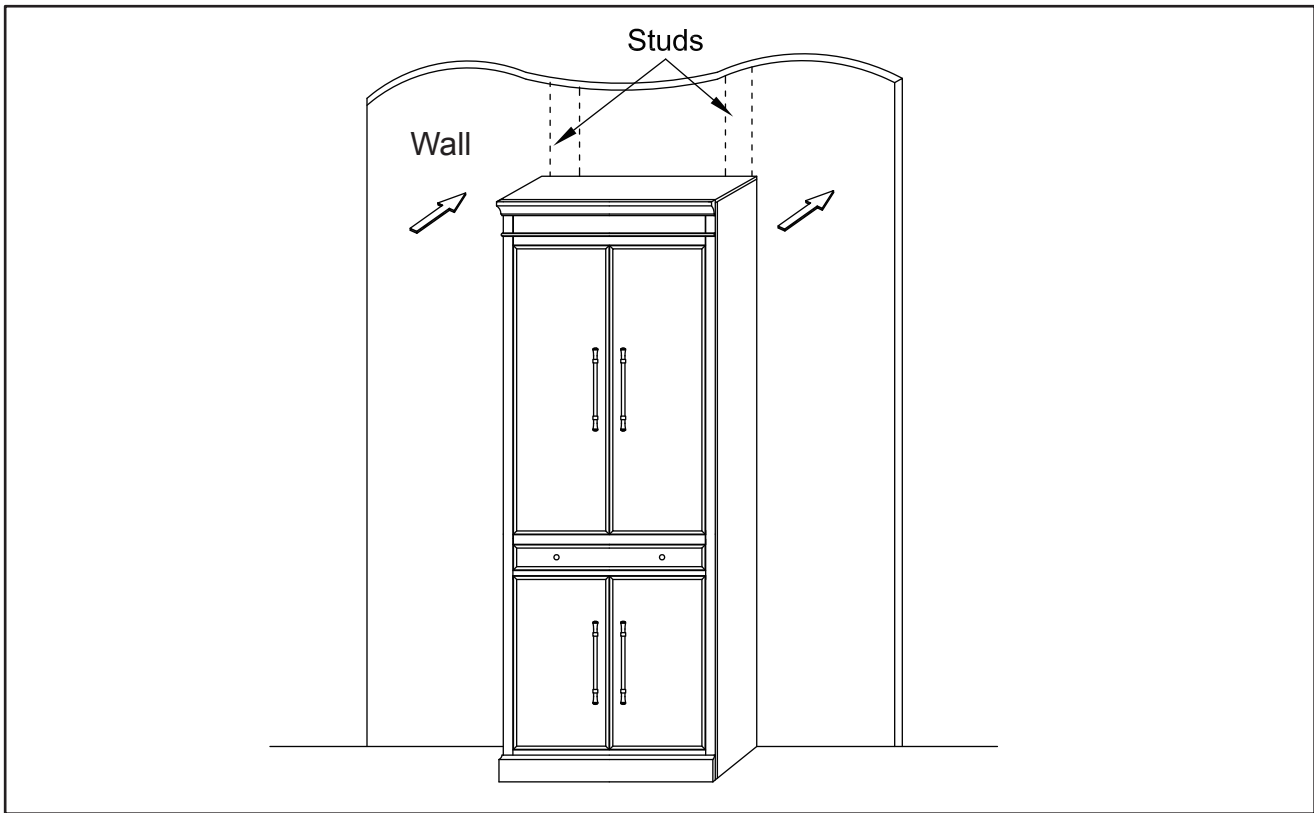


STEP 2: If the Cabinet Doors are uneven, adjust the levelers in the bottom corners inside the Cabinet (F) using a Flat head screwdriver. Turn clockwise or counterclockwise until the doors are even. Cover the leveler holes with the Wood Plugs (D). If the hinge screws are loose, use a Phillips head screwdriver to tighten them.



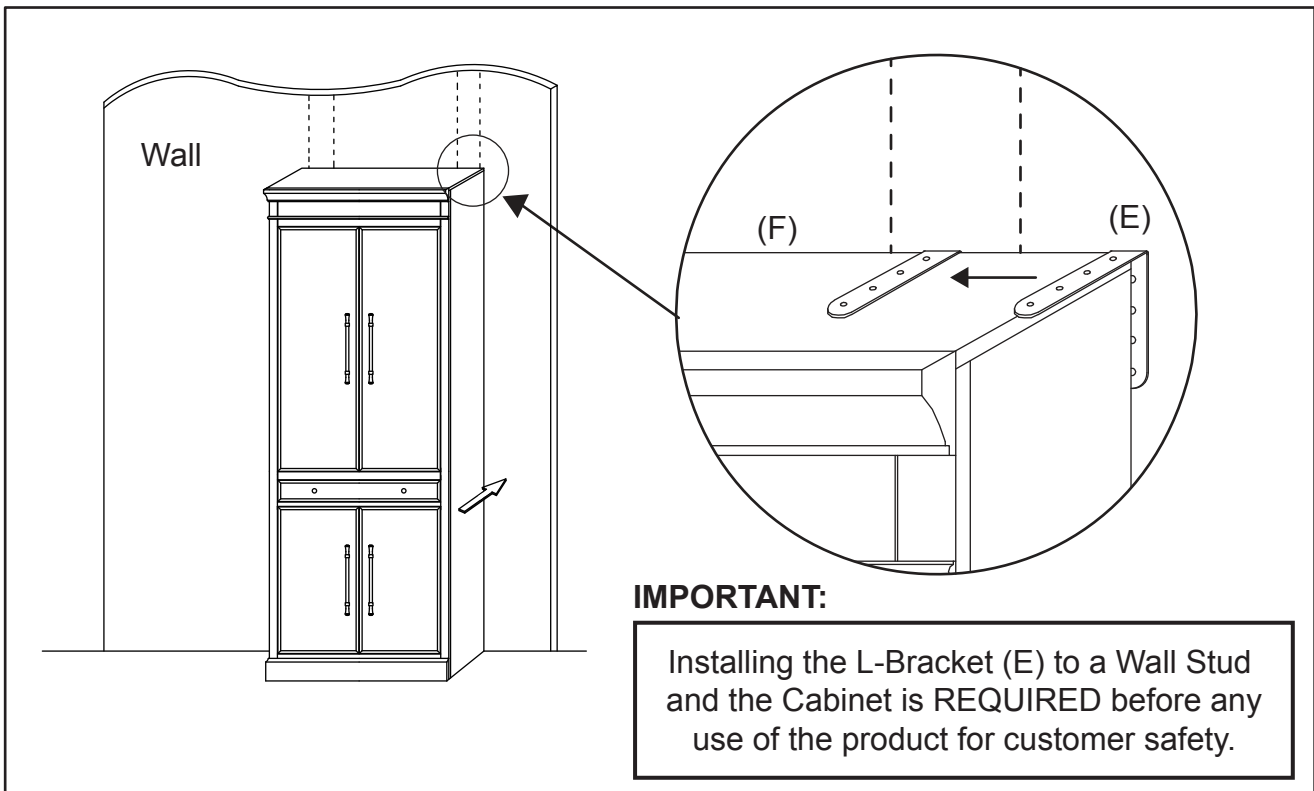
NOTE: Assemble the Cabinet in desired location for use.

STEP 3: Center the Cabinet in front of two Studs and mark the Wall. Push the Cabinet against the Wall.



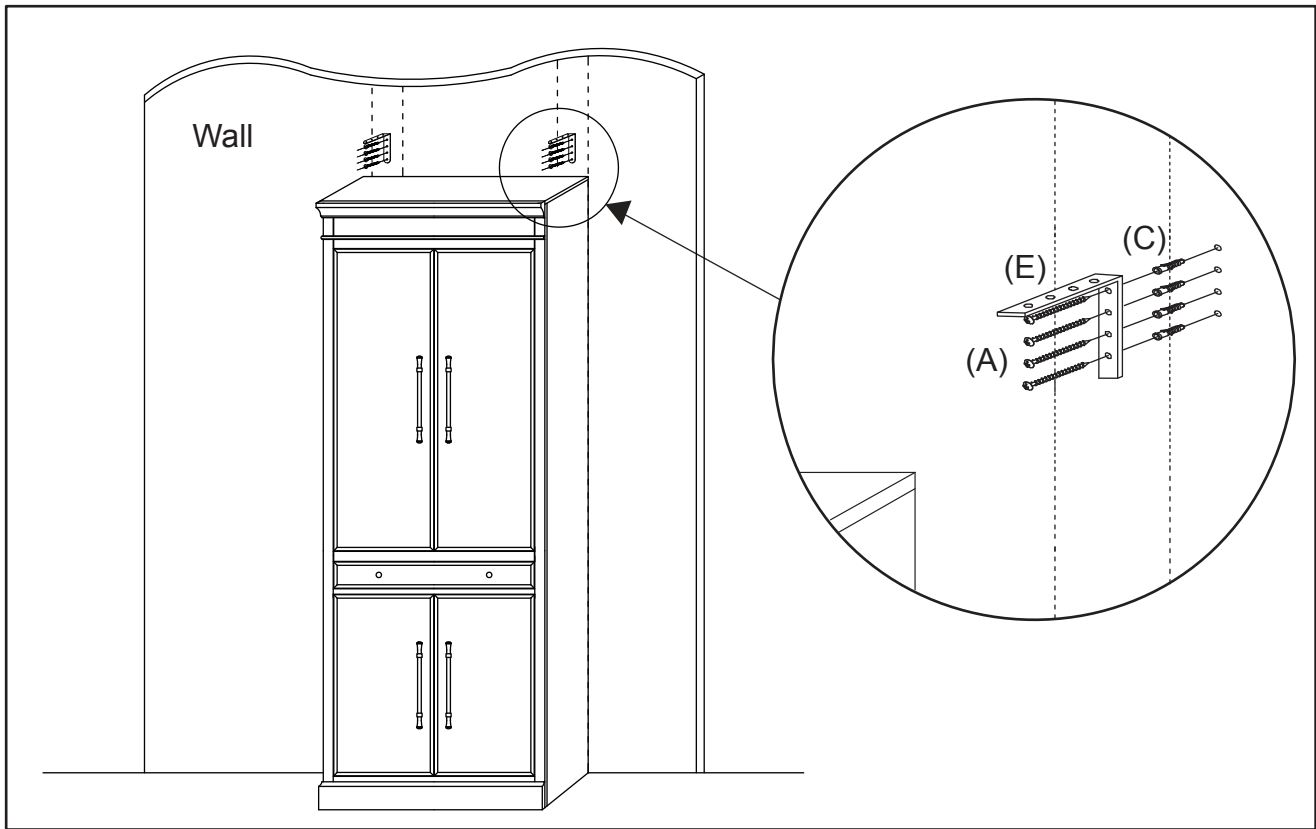
STEP 4: Slide the L-Bracket (E) over the top corner of the Cabinet (F) in front of the previously marked Studs and mark the Wall at the top of the L-Brackets.

NOTE: It is important that the L-Bracket is positioned like the picture below in order to hide the Bracket.



NOTE: Assemble the Cabinet in desired location for use.

STEP 5: Pull the Cabinet away from the Wall and attach the L-Brackets (E) to the Stud using the Screws (A). If there is not a Stud in the desired Cabinet location, lightly tap in the Anchors (C) and attach the L-Brackets with the Screws.



STEP 6: Slide the Cabinet underneath the previously installed L-Brackets (E) and use 2 or more of the Screws (A) to attach each L-Bracket to the Cabinet.  
NOTE: The L-Bracket (E) may not be completely on the Cabinet's Top due to the Wall's base molding. Only screw into the Bracket holes that are completely on the Cabinet Top.

