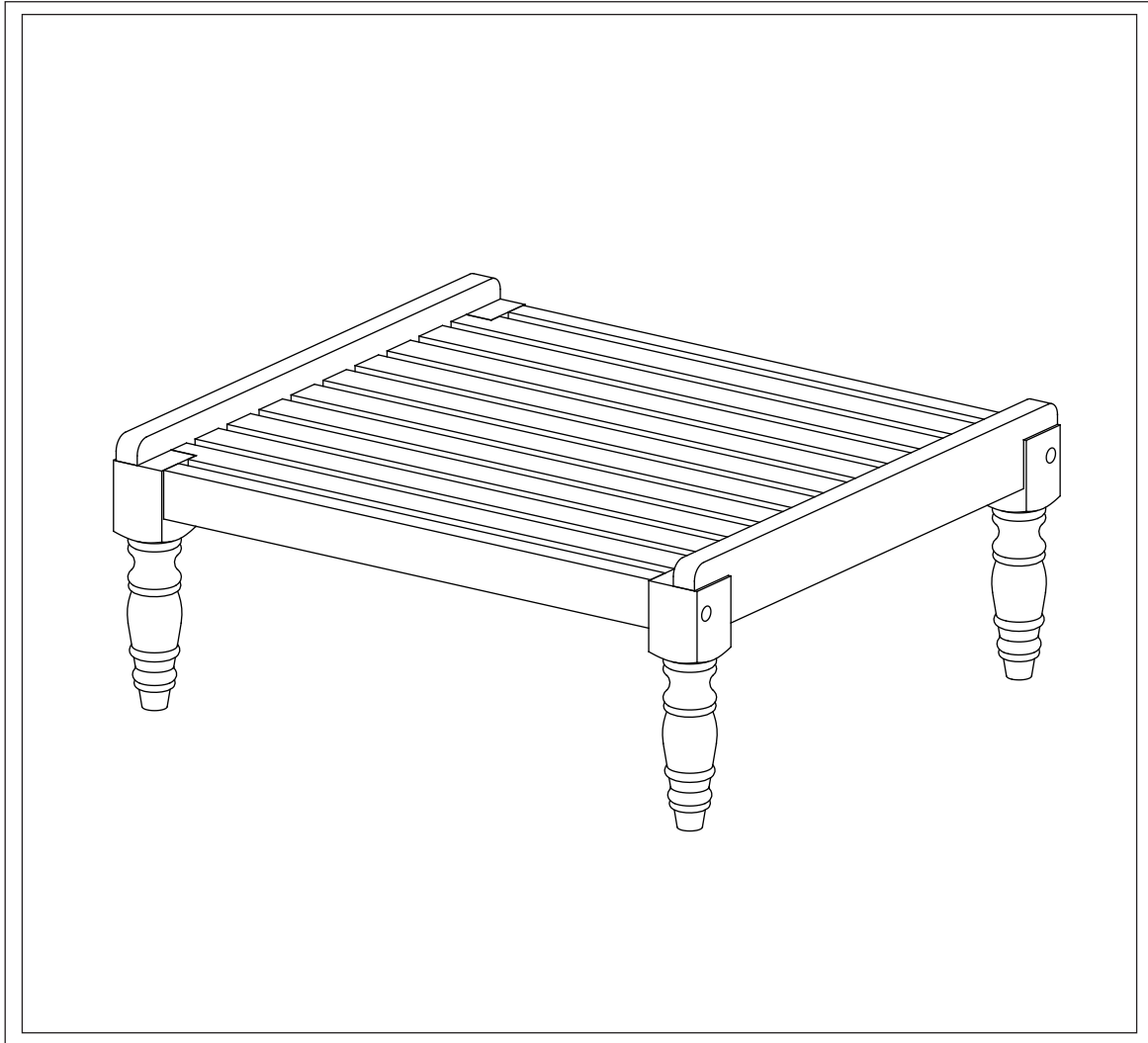
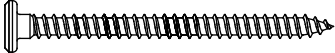
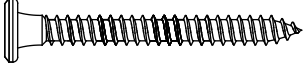
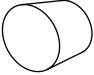



PRODUCT NAME: Ceylon Ottoman

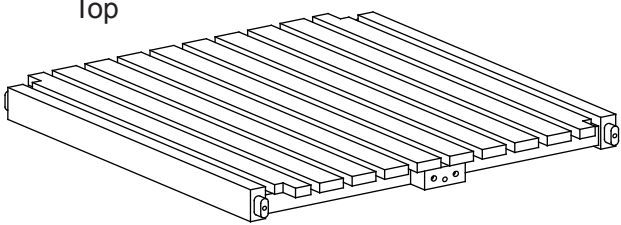
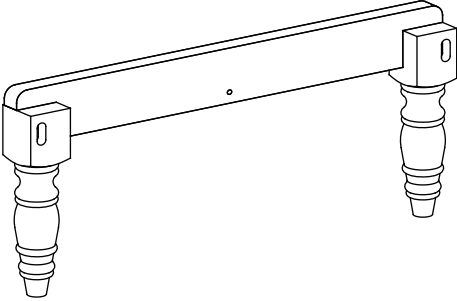
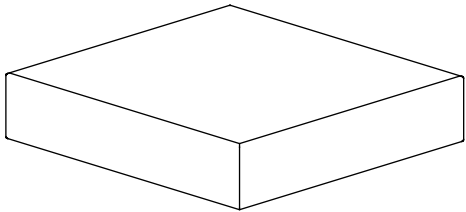
ITEM NUMBER: SO624

DIMENSIONS OF ITEM ASSEMBLED: 11"H x 23"W X 26"D

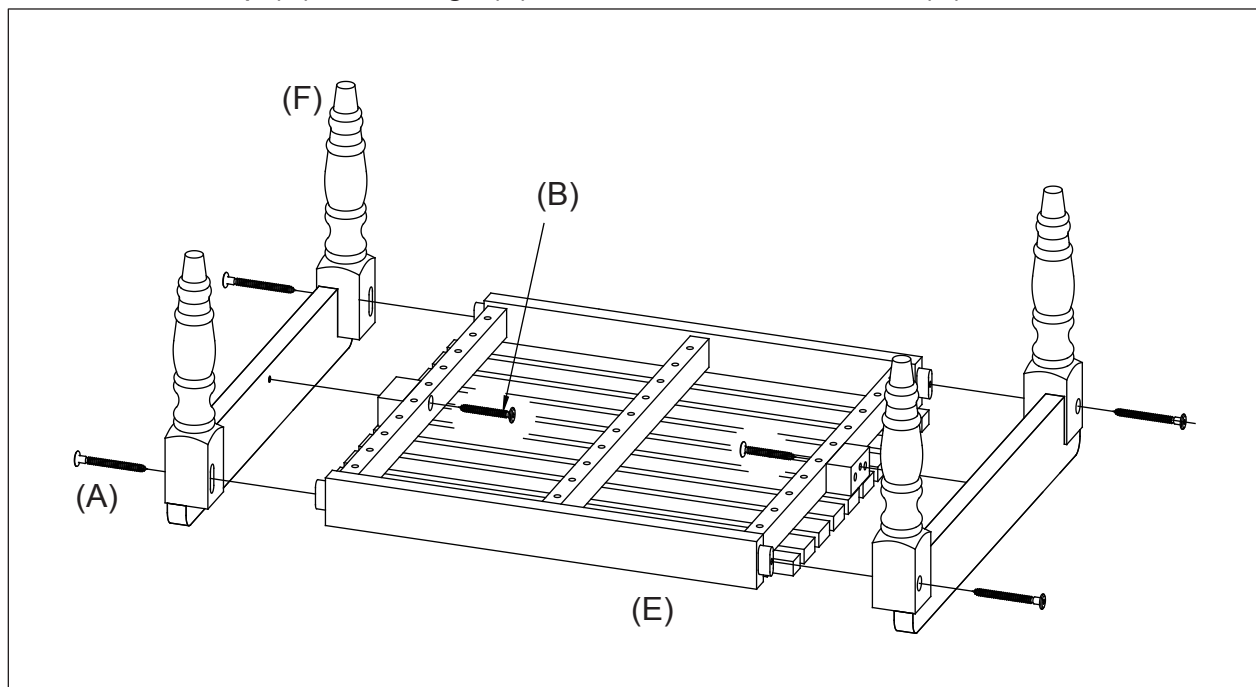


Ltr.	Qty.	Hardware Included	
A	4		90mm Allen Screws
B	2		70mm Allen Screws
C	4		Screw Plugs
D	1		Allen Wrench

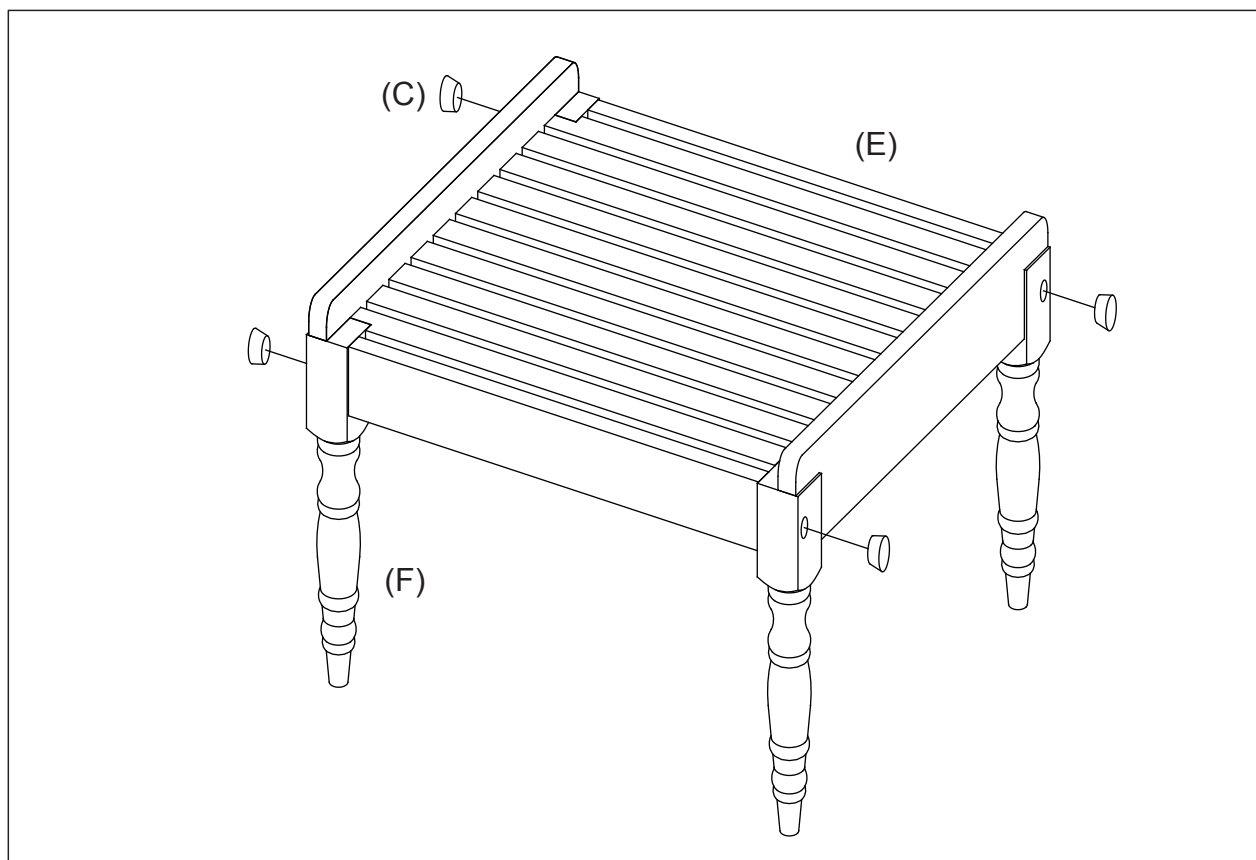
TOOLS NEEDED:
1 Person assembly.

Ltr.	Qty.	Components	
E	1	 <p>Top</p>	
F	2	 <p>Legs</p>	
G	1	 <p>Seat Cushion</p>	

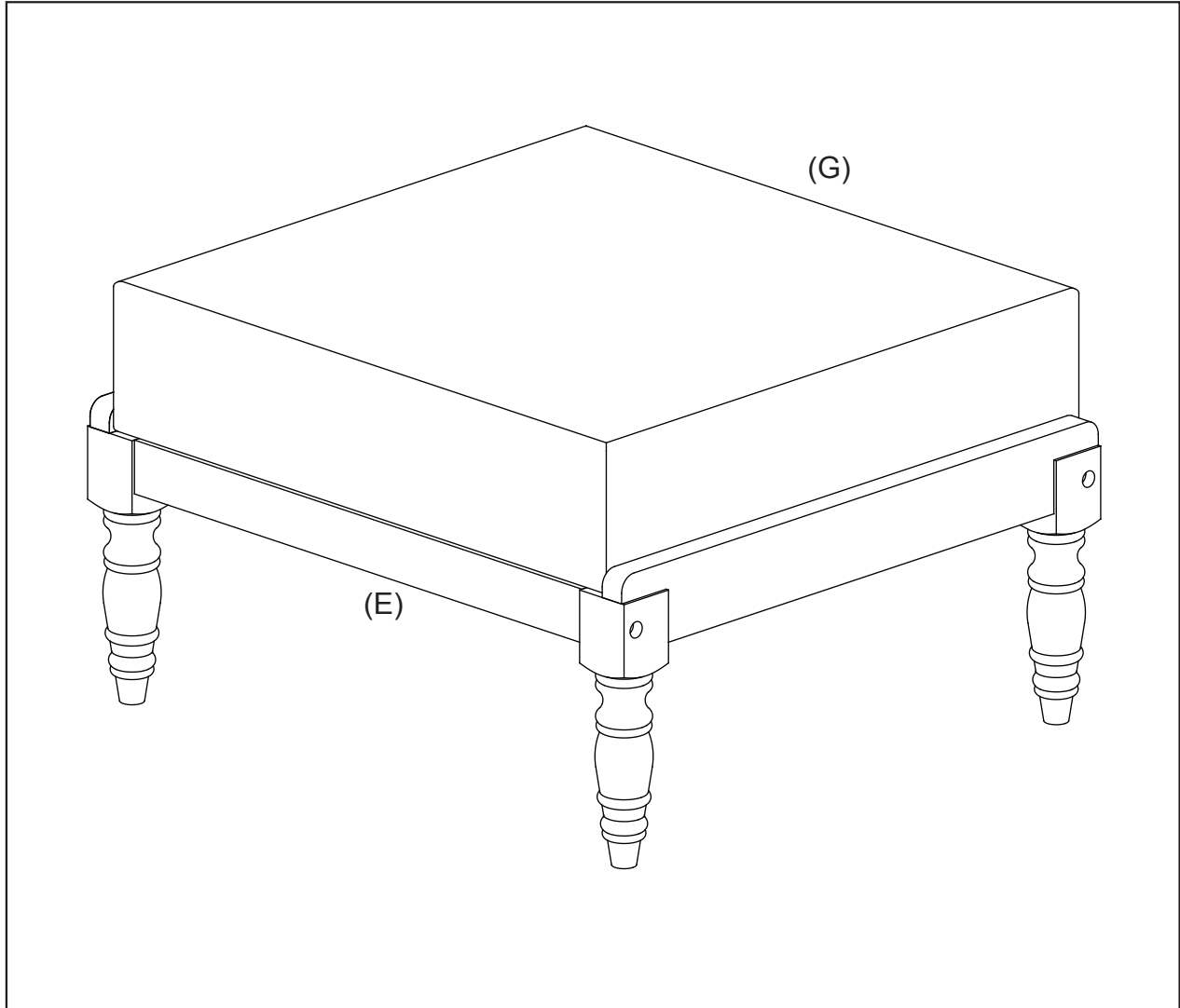
STEP 1: Attach the Legs (F) to the Top (E) using 4 90mm Allen Screws (A) and Allen Wrench (D). Then secure the Top (E) to the Legs (F) with 2 70mm Allen Screws (B) with the Allen Wrench (D).



STEP 2: Insert the Screw Plugs (C) in the Screw Holes.



STEP 3: Put the Cushion (G) on the Ottoman Top (E).



Clean & Care
Please refer to the care instructions on the hang tag.