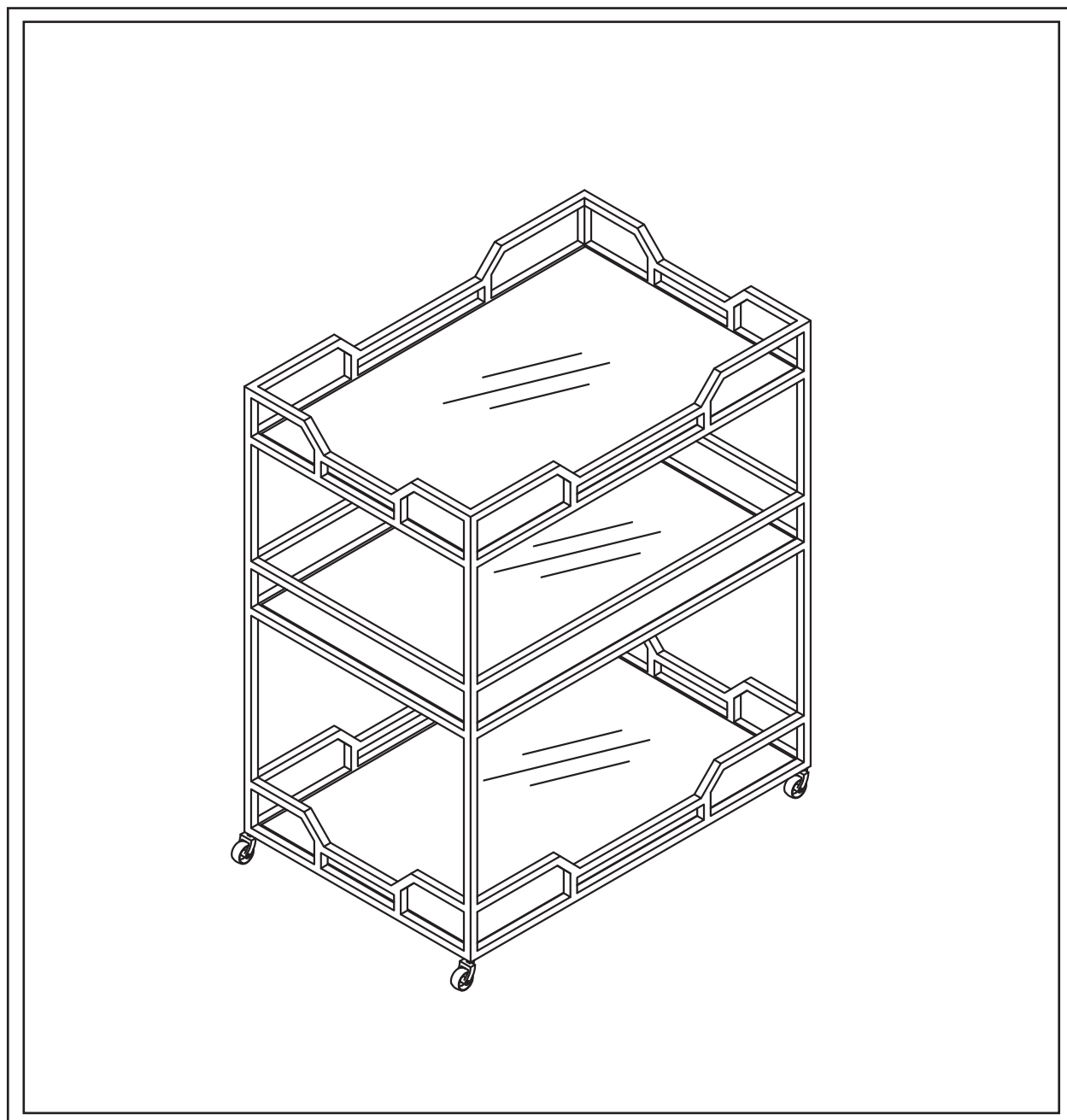

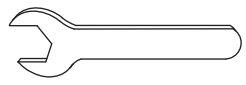


PRODUCT NAME: Jules Bar Cart

ITEM NUMBER: SR020

DIMENSIONS OF ITEM ASSEMBLED: 36"H x 30"W X 20"D

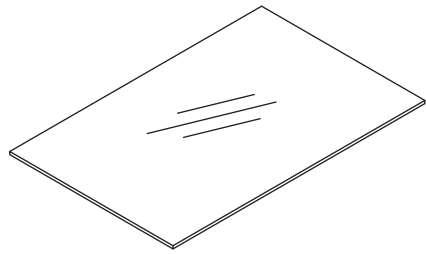
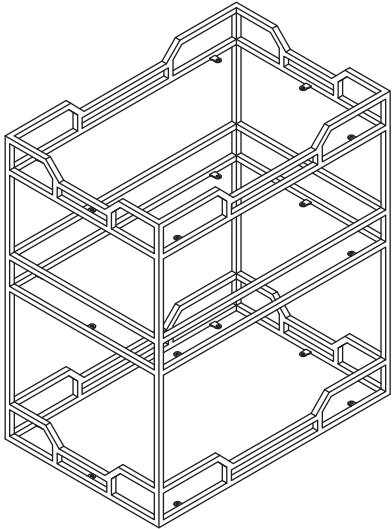
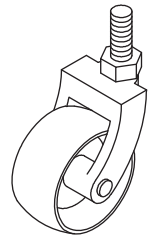


Ltr.	Qty.	Hardware Included	
A	18		Bumpers
B	1		Wrench

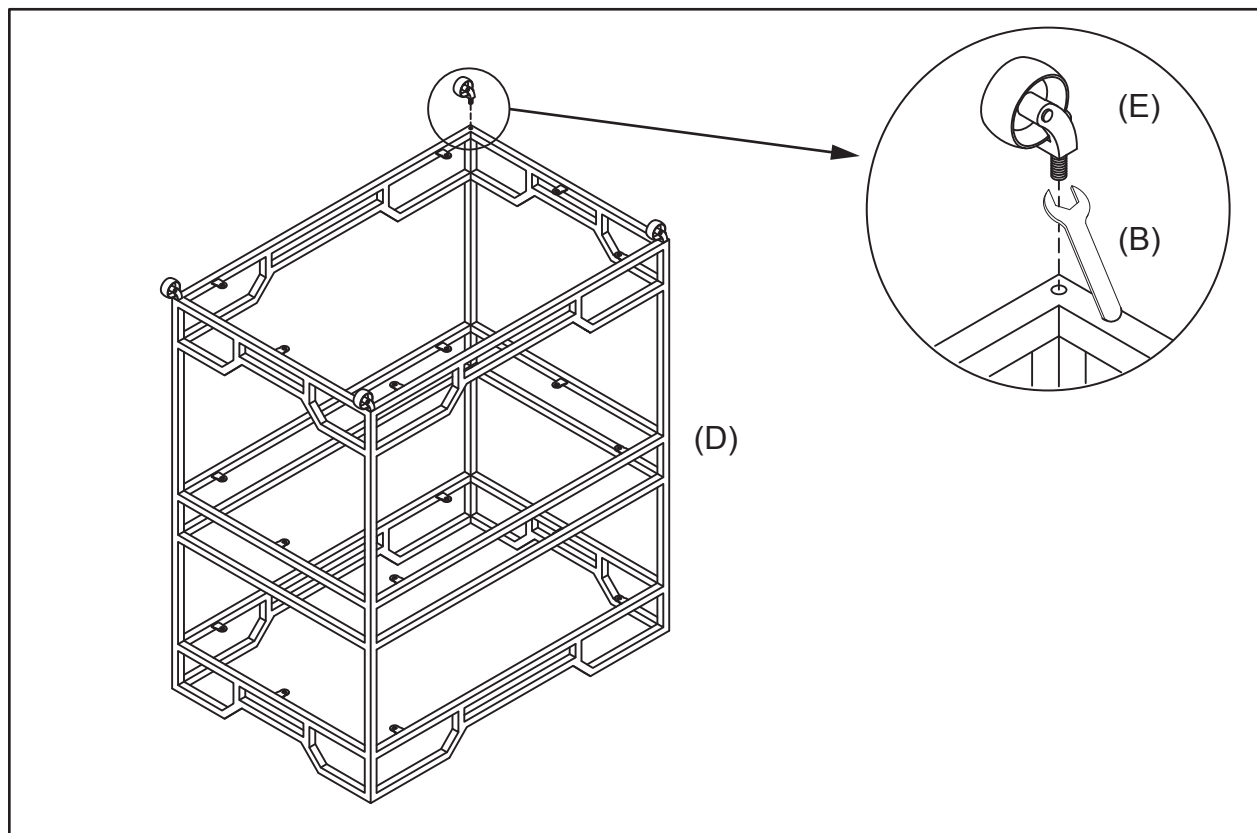
TOOLS NEEDED:
 -Assembly may require 2 people.

When unpacking, lay the parts on a padded surface such as the packaging provided.

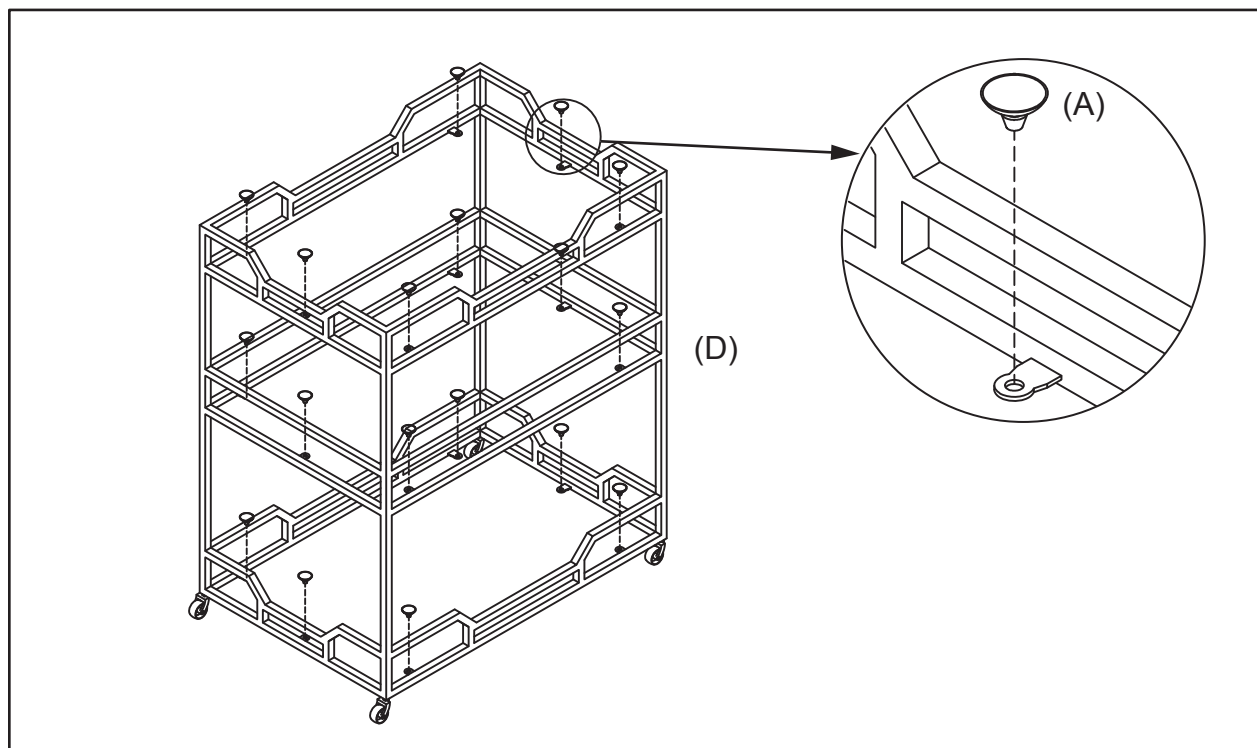
Be sure to locate all the hardware before throwing away any packaging.

Ltr.	Qty.	Components	
C	3		Glass Shelves (C)
D	1		Cart Frame (D)
E	4		Swivel Wheels (E)

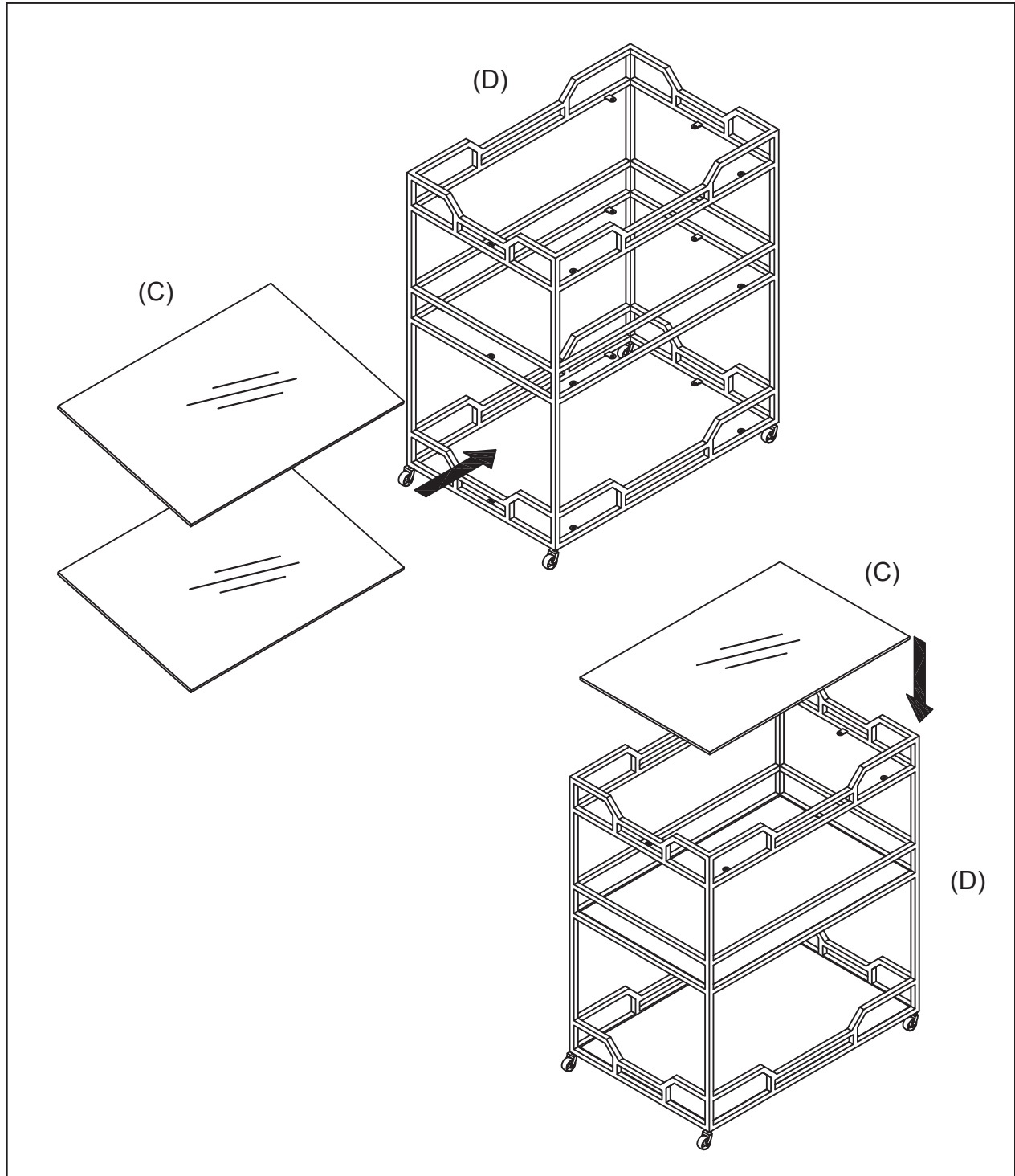
STEP 1: Carefully flip over the Cart Frame (D) onto a smooth, clean surface. Align the Swivel Wheels (E) with the four corners on the cart and screw the Wheels into place. Tighten the Wheels using the Wrench (B).



STEP 2: Carefully flip the Cart Frame (D) onto the Wheels. Place all Bumpers (A) into the Shelf Pegs.



STEP 3: Carefully place the Glass Shelves (C) onto Shelves on the Bar Cart (D).



Cleaning & Care:

DO NOT use alcohol based products or spray polisher as they can damage the finish. Dust with a soft cloth. Finish can be affected by heat or extended contact with oils or wine.