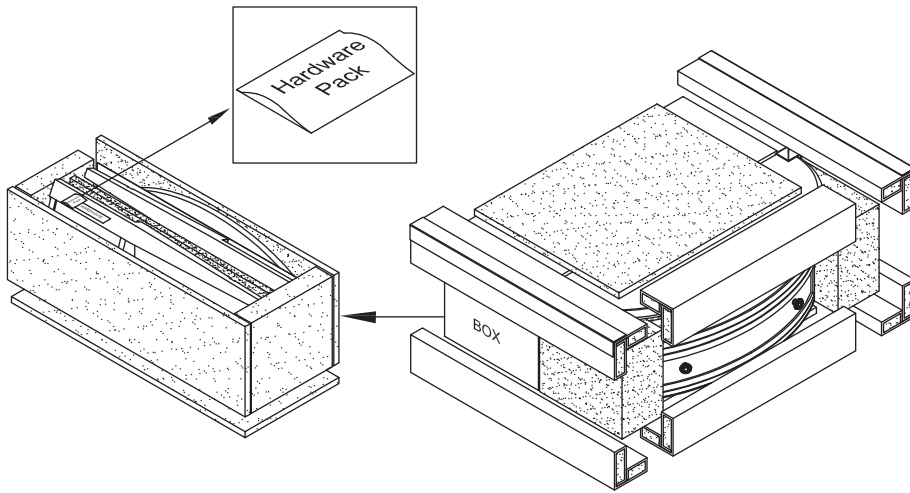


PRODUCT NAME: Newport Demilune Table with Shelf
ITEM NUMBER: TC352
ASSEMBLED DIMENSIONS : 32"H x 38"W x 14 1/4"D



⚠ Assemble in location for intended use.



REQUIRED TOOLS:
 Phillips Screwdriver,
 Allen Wrench (included)
 -Two person assembly suggested.

Remove all parts, hardware and protective packaging from carton and carefully arrange on a clean, level, padded surface.

NOTE: To avoid accidentally discarding small parts or hardware, retain all carton contents until assembly and installation are complete.

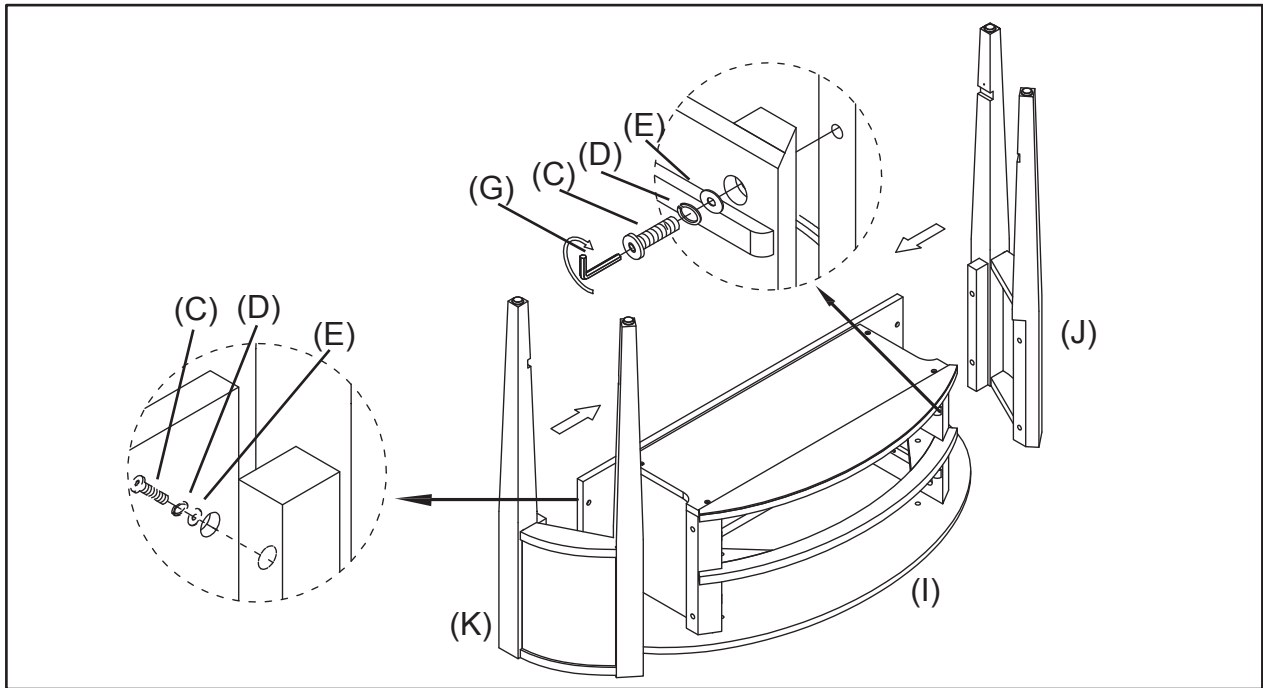
Ltr.	Qty.	Hardware Included	Ltr.	Qty.	Hardware Included
A	4	Brackets	E	8	Lock Washers
B	8	Screws	F	4	Dowels
C	8	Allen Bolts	G	1	Allen Wrench
D	8	Flat Washers	H	2	Wall Anchoring (Anti-tip) Kits See page 5

Ltr.	Qty.	Components
I	1	<p>Body (I)</p>
J	1	<p>Right Leg (J)</p>
K	1	<p>Left Leg (K)</p>
L	1	<p>Shelf (L)</p>

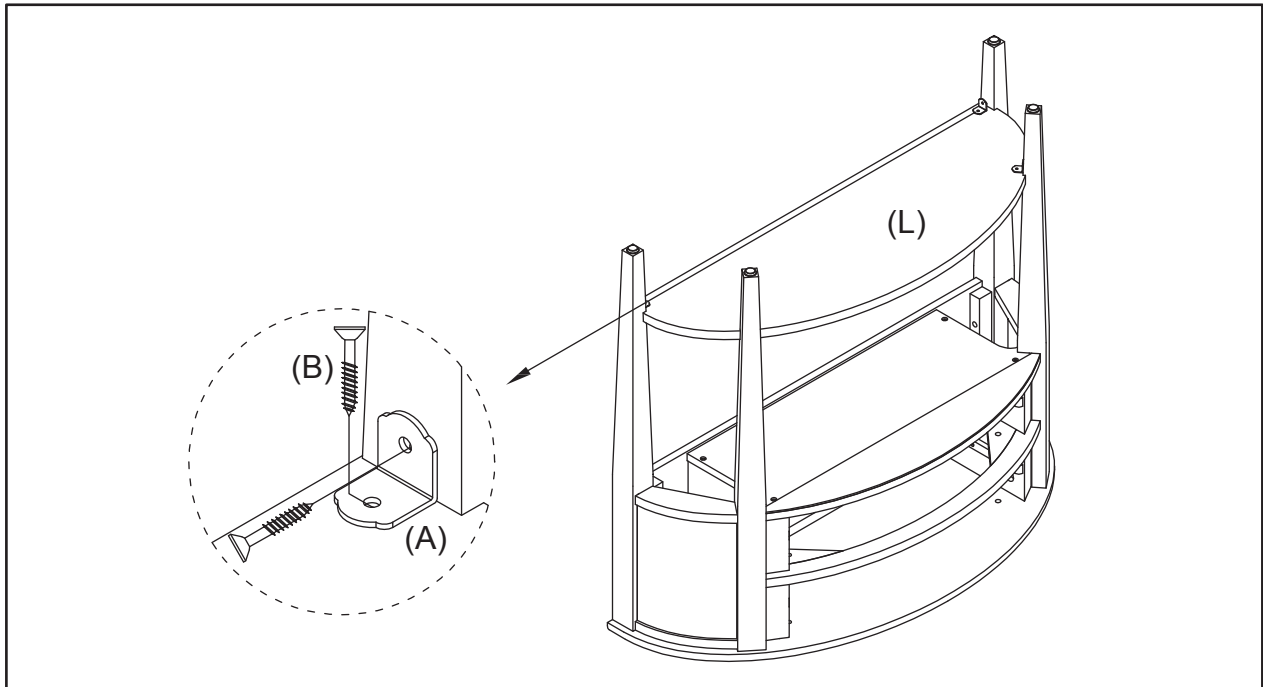
WARNING
Tip-Over Hazard
 Prevent tipping accidents. Anchor your furniture.
ANCHORING HARDWARE INCLUDED

STEP 1: Invert Body (I) onto a soft, level surface and attach Right Leg (J) and Left Leg (K) using Allen Bolt (C) with Lock Washer (D) and Flat Washer (E) as illustrated below.

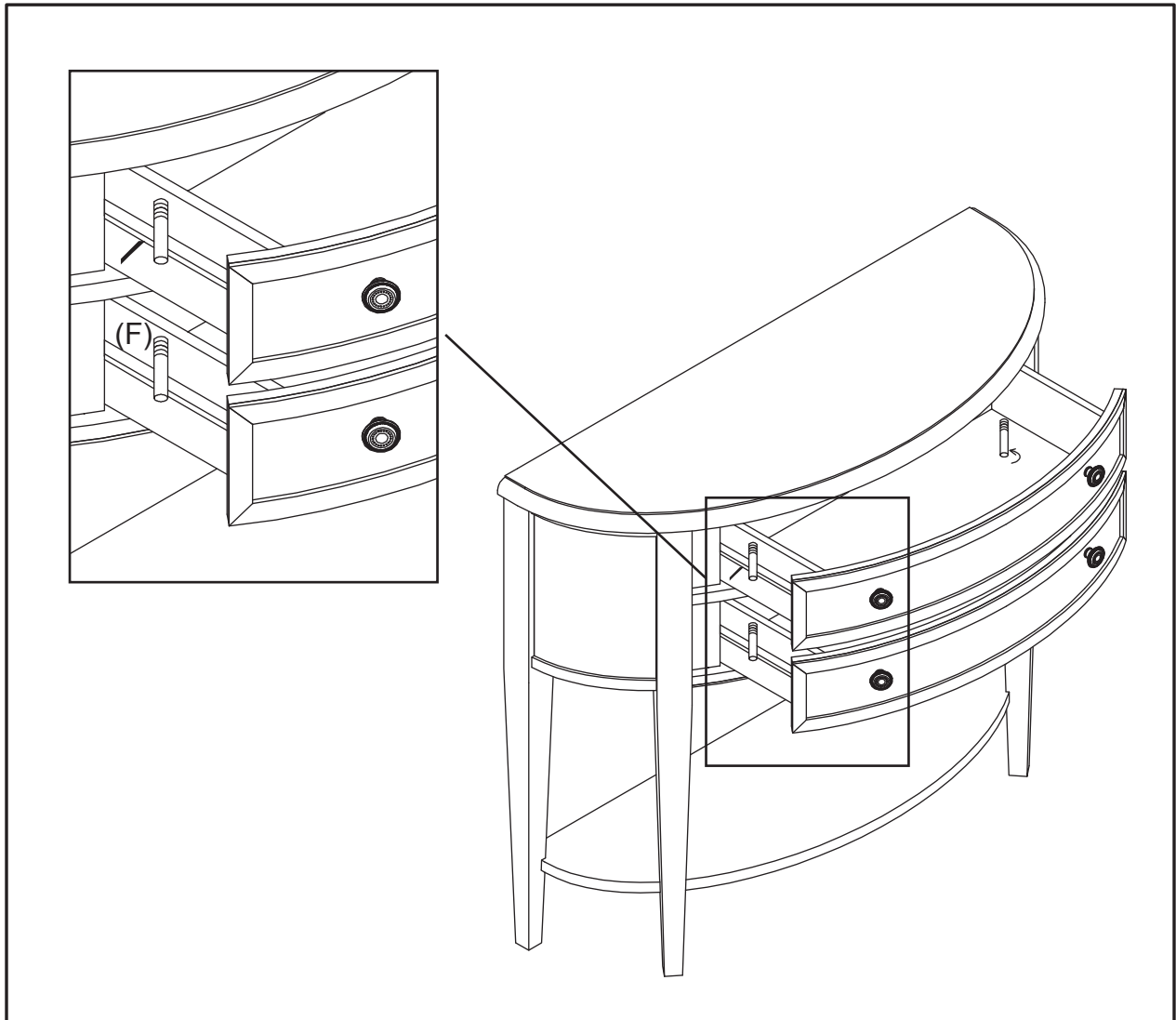
NOTE: Assemble components, hand tighten bolts THEN fully tighten all using Allen Wrench (G).





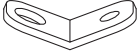

STEP 2: Carefully insert Shelf (L) into notches in Legs. Secure by placing Bracket (A) onto underside of Shelf as illustrated and connect using Screws (B). Fully tighten using a Phillips Screwdriver.



STEP 3: Slightly pull out Drawers and insert Dowel (F) drawer stops into pre-drilled holes as illustrated.



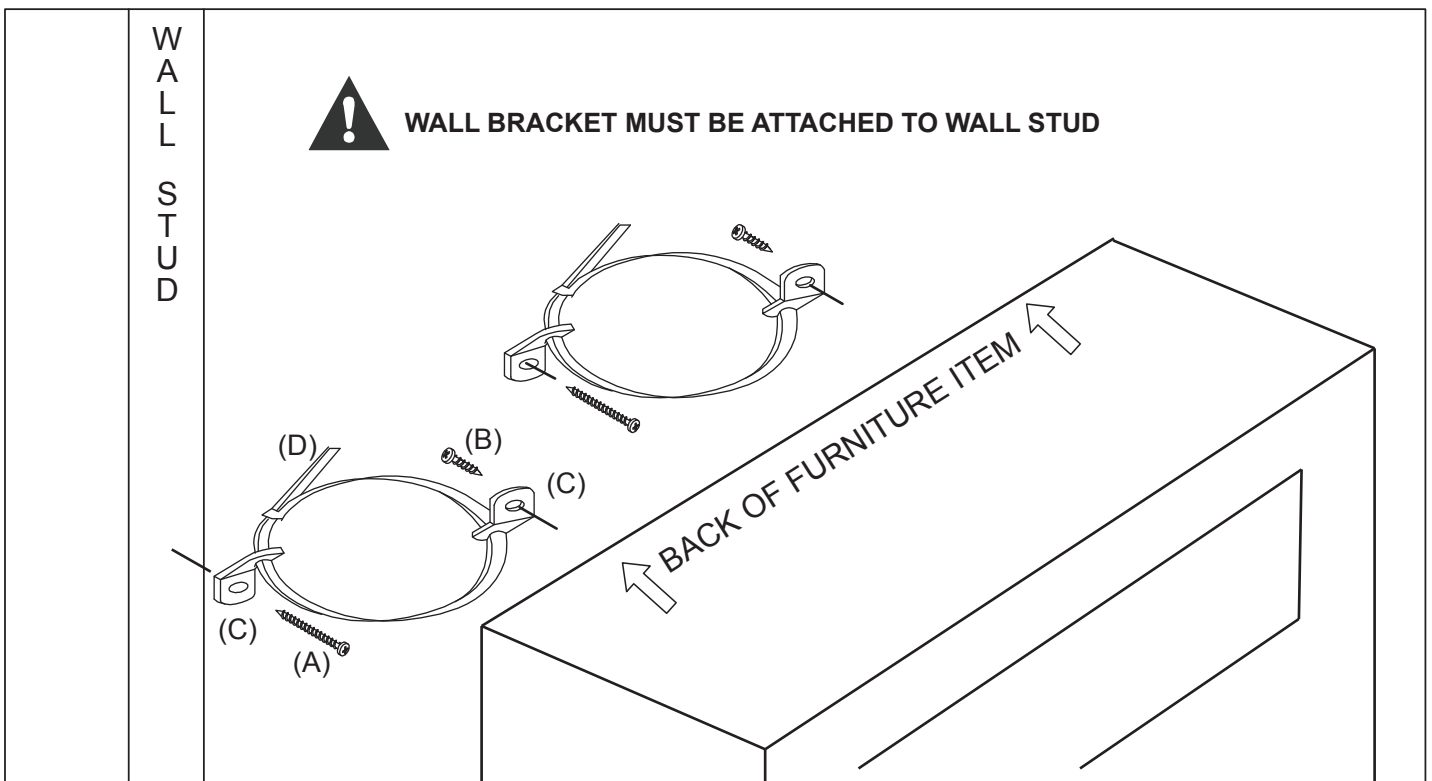
ANCHORING HARDWARE (ANTI-TIP)

Ltr.	Qty.	Hardware Included
A	2	 Large Screw
B	2	 Small Screw
C	4	 Bracket
D	2	 Retention Belt



Installation:

1. Locate and mark a Wall Stud behind unit at location for installation.
2. Corresponding to Stud location, attach one Bracket (C) to back of unit using Small Screw (B).
3. To keep hardware out of view after installation, attach remaining Bracket (C) **INTO WALL STUD** with Large Screw (A) 2 inches below Bracket attached to back of unit.
4. Move unit into place, align Brackets then connect both using Retention Belt (D).
5. Confirm Belt is securely laced and locked.



Cleaning & Care:

DO NOT use alcohol based products or spray polisher as they can damage the finish. Dust with soft cloth.