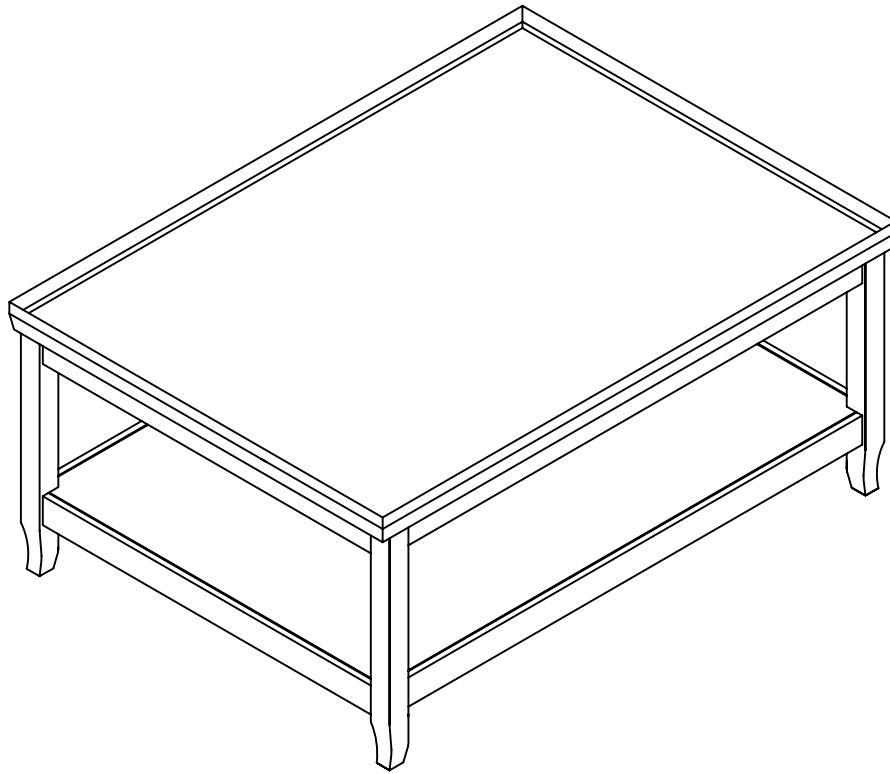



Product name: Morgan Cocktail

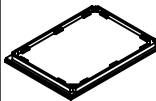

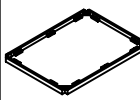
Item number: TE107

Dims of item assembled: 44"x32"x19"



Check to make sure you have the following:

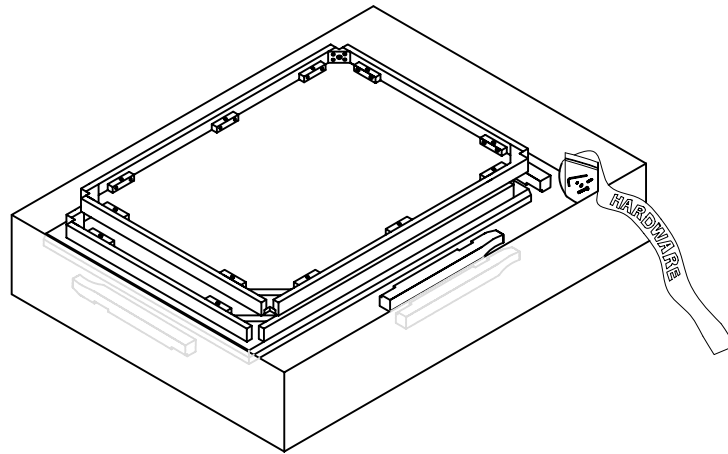
No.	Qty	HARDWARE
A	8 PCS	 Allen Bolt
B	8 PCS	 Washer
C	8 PCS	 Lock Washer
D	1 PC	 Allen Wrench
E	16 PCS	 Dowel

No.	Qty	PART LIST
F	1 PC	 Top Panel
G	4 PCS	 Leg
H	1 PC	 Fixed Shelf

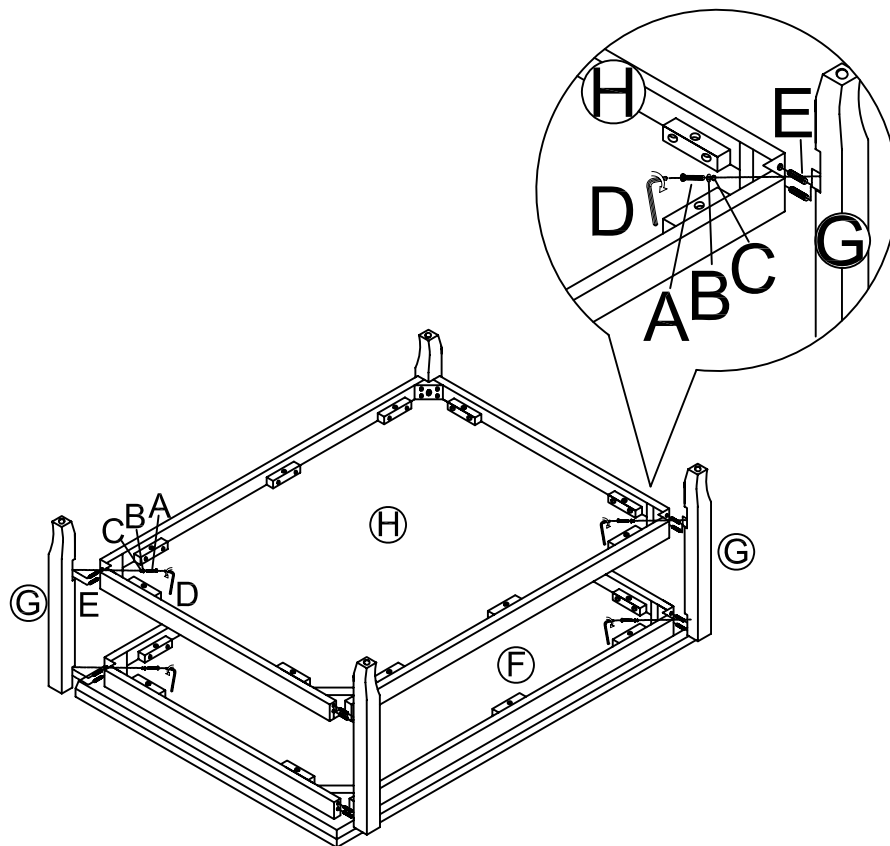
PRODUCTS ARE NOT INTENDED
FOR COMMERCIAL USE.

Made In China

Page 1 of 2



Step 1: After opening the box you should see the Top Panel (F) with the Fixed Shelf (H) on top. The Legs (G) and Hardware Packet are to the side of the Top Panel (F).



Step 2 : Insert the dowels (E) into the dowel holes. Lay the Top Panel (F) upside down on a smooth, flat surface. Put washers (B) (C) onto Allen Bolts (A). Gently tighten Top Panel (F) and Fixed Shelf (H) onto the Legs (G) with the Allen Bolts (A) using the Allen Wrench (D). Do not fully tighten until all Legs (G), Fixed Shelf (H) and Top Panel (F) are together.

Made In China

Page 2 of 2