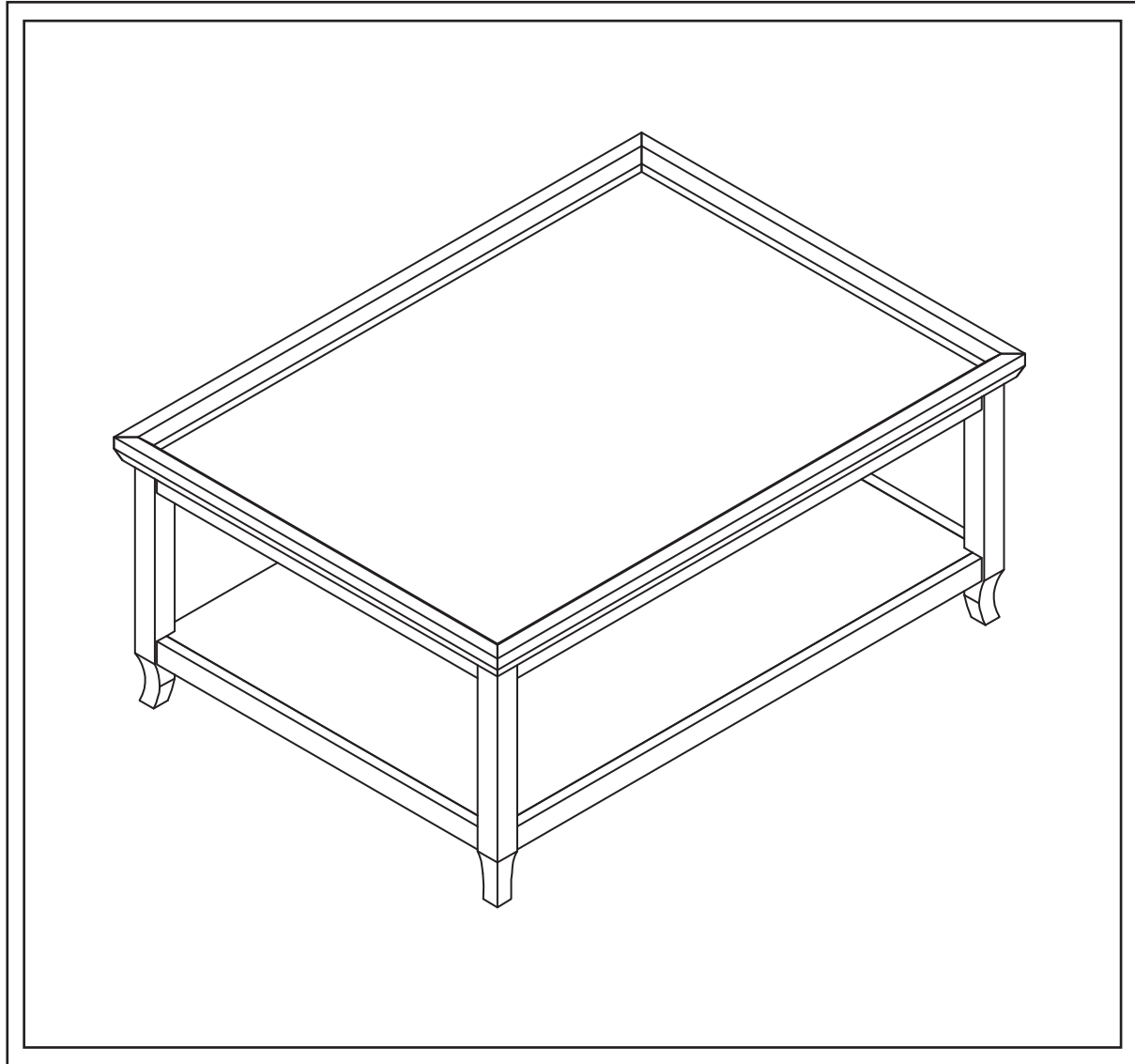

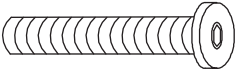
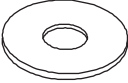
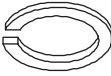

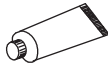


PRODUCT NAME: Morgan Cocktail Table

ITEM NUMBER: TE153

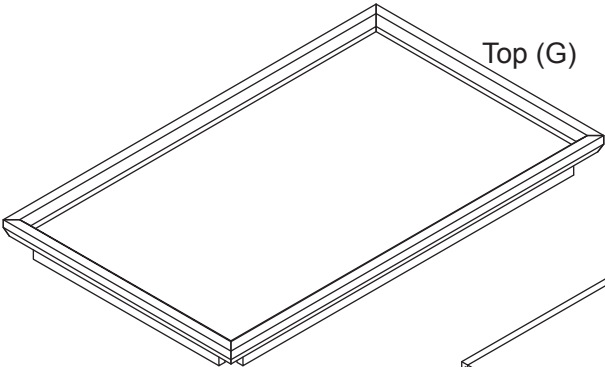
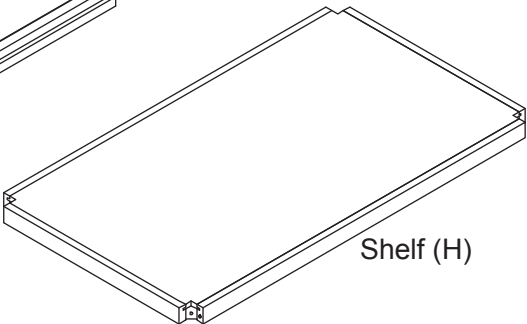
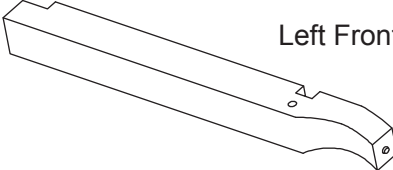
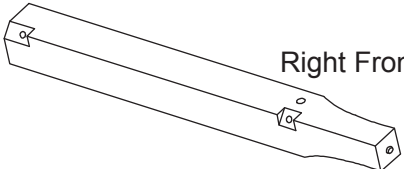
DIMENSIONS OF ITEM ASSEMBLED: 19"H x 44"W x 32"D



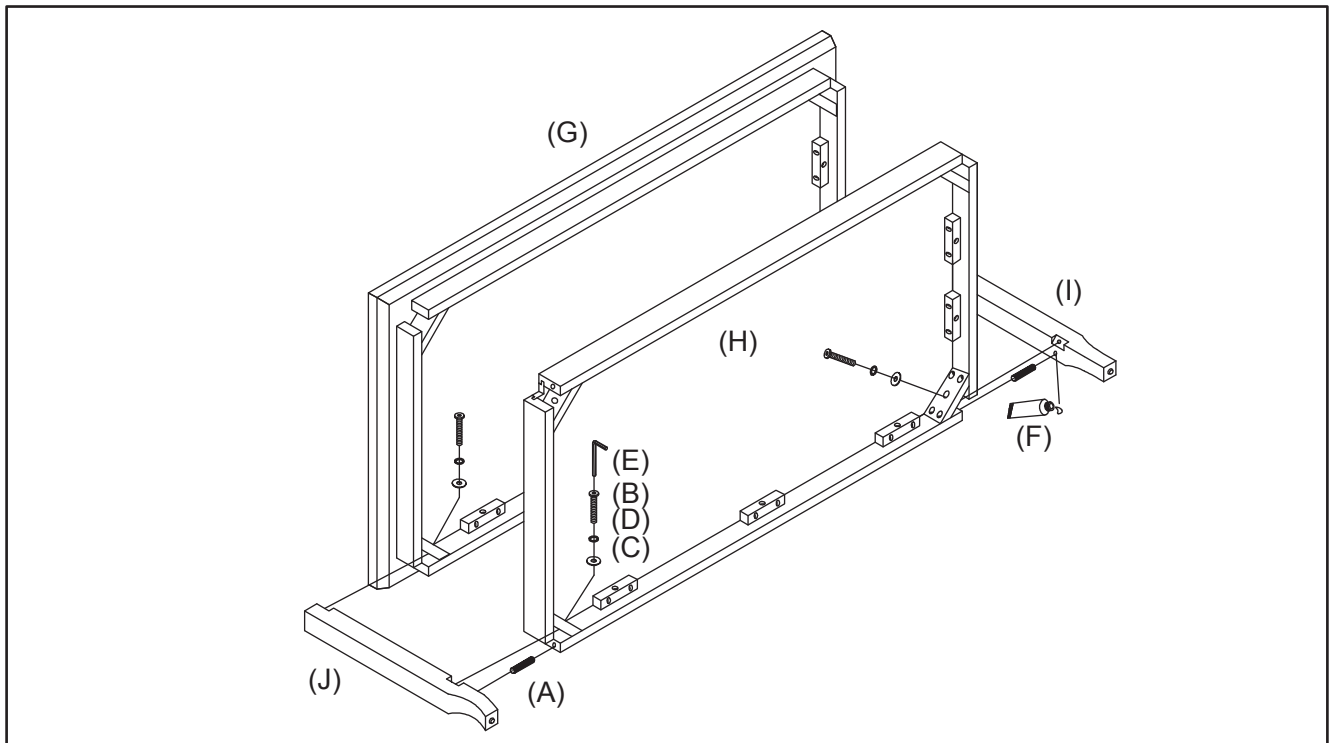
Ltr.	Qty.	Hardware Included	
A	4		Dowels
B	8		Machine Screws
C	8		Washers
D	8		Lock Washers
E	1		Allen Wrench
F	1		Glue

**TOOLS NEEDED:**  
- Assembly may require 2 people.

**NOTE:** When unpacking, be sure to locate all the components before throwing away any packaging. Assemble Table on a smooth, clean surface such as the packaging provided.

Ltr.	Qty.	Components	
G	1		
H	1		
I	2		
J	2		

**STEP 1:** On a smooth, clean surface such as the packaging provided, insert the Dowels (A) into each hole in the Left Back Leg (J) and Right Back Leg (I) using the provided Glue (F) to keep them in place. Then, attach the Top (G) and Shelf (H) to the Legs using an Allen Wrench (E), Machine Screws (B), Lock Washers (D), and Washers (C).



**STEP 2:** Insert Dowels (A) into the holes in the Shelf (I) using the provided Glue (F) to keep it in place. Then, attach the Left Front Leg (I) and a Right Front Leg (J) to the Top (G) and Shelf (H) using the Allen Wrench (E), Machine Screws (B), Lock Washers (D), and Washers (C).

