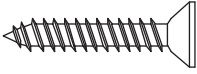
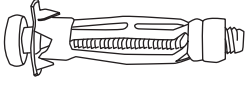


INSTALLATION / HANGING HARDWARE

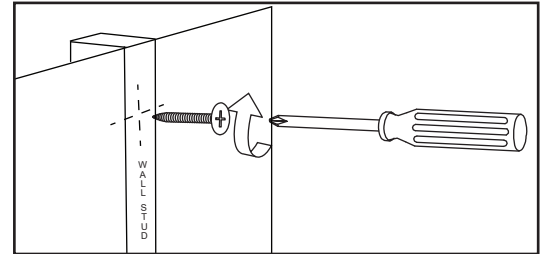
Qty.	Hardware Included
2	 <p>Wood Screws (For use when Wall Stud is present)</p>
2	 <p>Expansion Bolts (For use in open drywall. No Wall Stud present)</p>

REQUIRED TOOLS:

- Hammer
- Phillips Screwdriver
- Level
- Pencil
- Drill with 1/4" bit

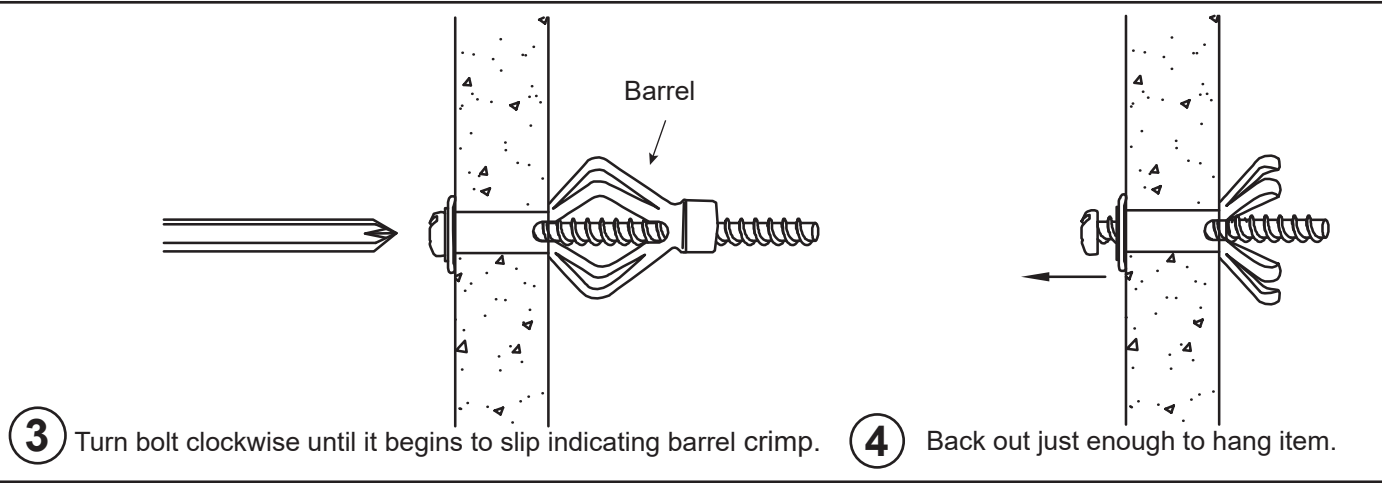
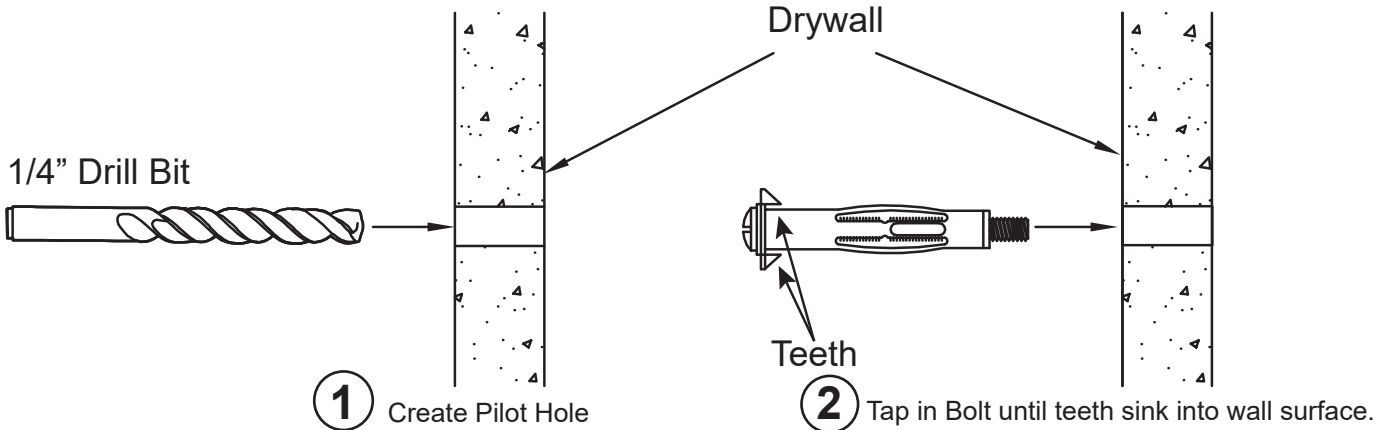
WOOD SCREWS

Wood Screws provide optimal support when driven directly into a Wall Stud. If installation point is over a Wall Stud, drive Wood Screw directly into Stud.



! DO NOT USE WOOD SCREWS IN OPEN DRYWALL. SCREWS WILL PULL OUT OF WALL.

INSTALLING EXPANSION BOLTS



BALLARD DESIGNS

Customer Service: 800-367-2810

Online: www.ballarddesigns.com

UPDATED: 5/2020