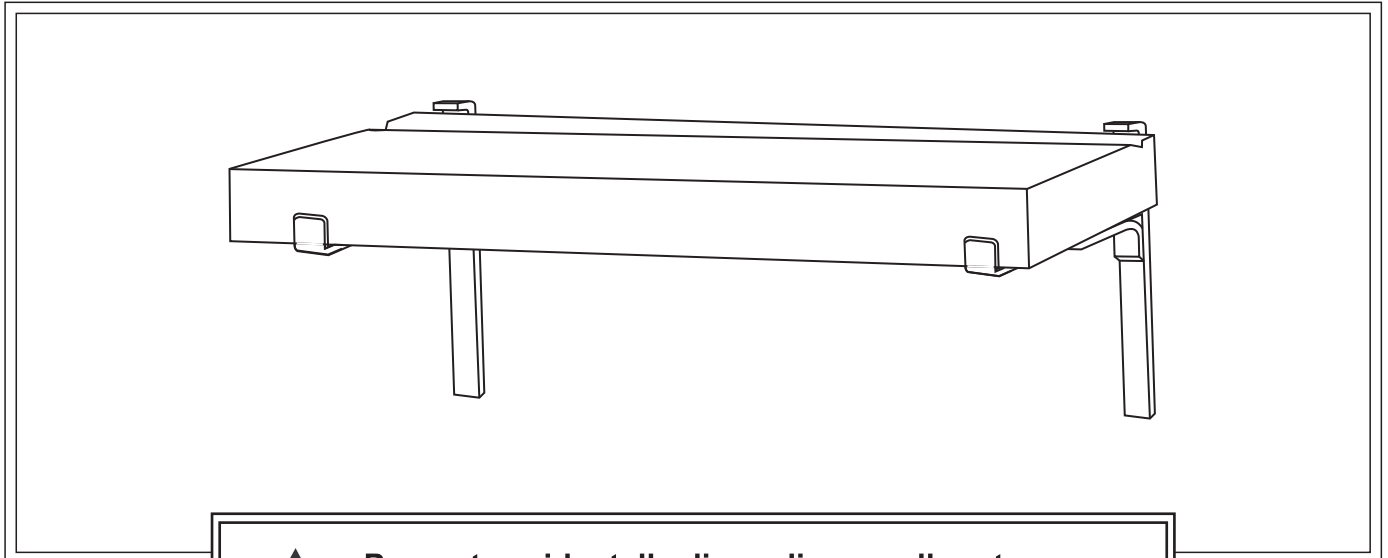


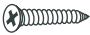



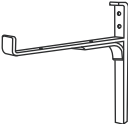



PRODUCT NAME : Vigneto Shelf
ITEM NUMBER : WS939 DWO
ASSEMBLED DIMENSIONS : 9.45"H x 30"W x 12"D
9.45"H x 40"W x 12"D
9.45"H x 50"W x 12"D



Prevent accidentally discarding small parts or hardware. Retain all carton contents until assembly and installation are complete.

Ltr.	Qty.	Hardware Included	
A	4		Anchors
B	4		2" Wall Screws
C	2		1" Bracket Screws
D	2		3/4" Bracket Screws

Ltr.	Qty.	Components	
E	2		Bracket (E)
F	1		Shelf (F)

TOOLS NEEDED

- Requires a screwdriver.
- Power drill and level suggested.
- Assembly may require 1 people.

Remove all parts, hardware and protective packaging from carton and carefully arrange on a clean, level, padded surface.

ASSEMBLY TIME: 10 minutes



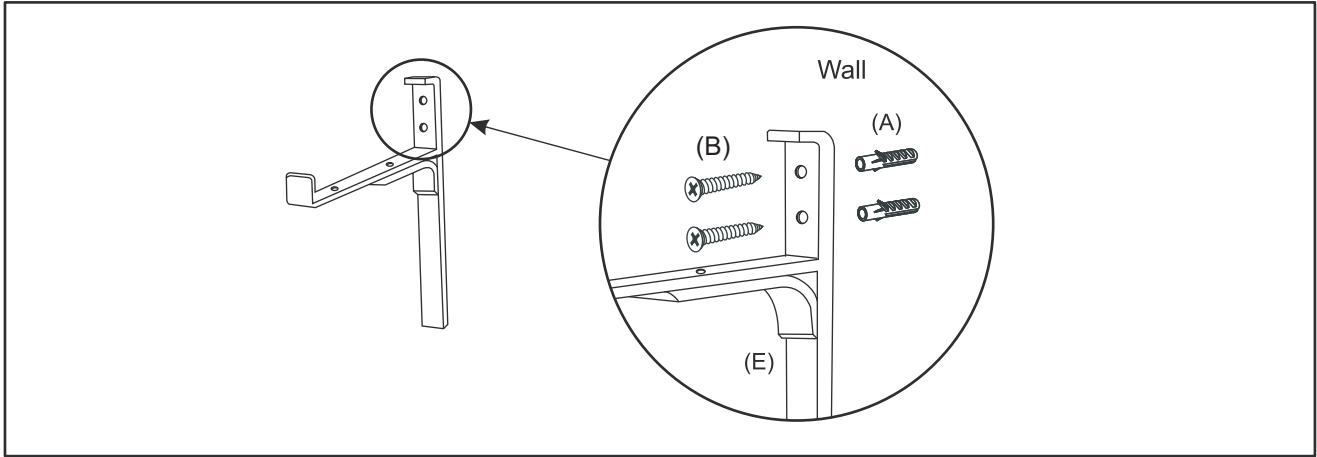
Cleaning and Care

Periodically dust with a soft, dry cloth.
Protect surfaces to prevent damage.
Do not use alcohol based cleaners or polishes.

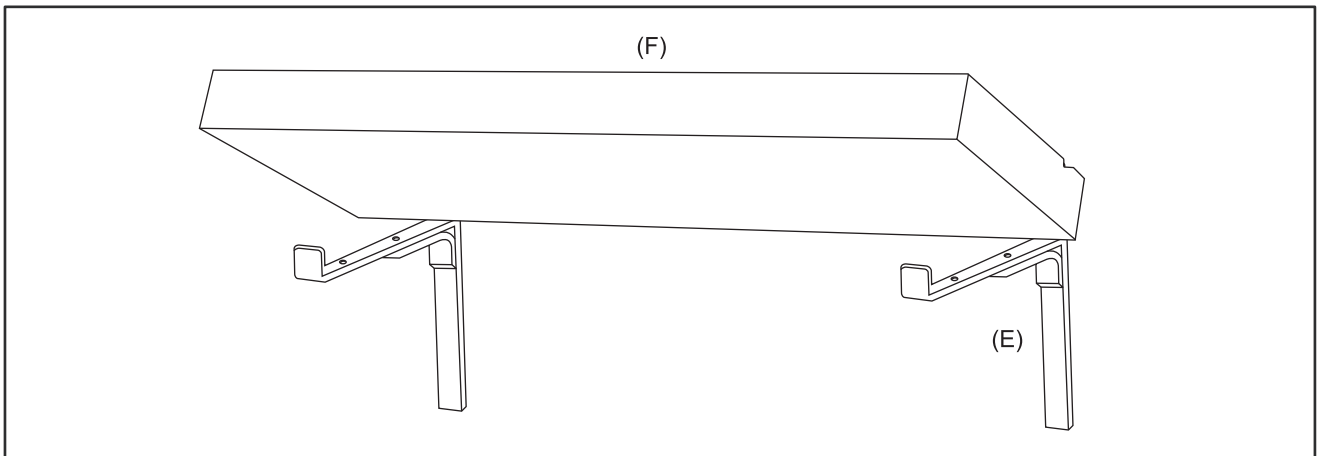
STEP 1: Position and level the Shelf (F) in desired location. Position the Brackets (E) to the Wall with the Shelf and mark the Bracket holes.

NOTE: We suggest the Brackets are screwed into Studs. You may move the Brackets to position them in front of Studs.

STEP 2: If Brackets (E) are in front of Studs, use the 2" Wall Screws (B) to screw into the Brackets and Studs. If the desired Bracket location is not in front of Studs, screw a pilot hole into Wall at marks, lightly tap Anchors (A) into the Wall and align the Bracket in front. Screw the 2" Wall Screws through Bracket and into Anchors.



STEP 3: Slide the Shelf (F) under the back lip of the Bracket (E) and lay the Shelf down on the Bracket.



STEP 4: Center the Shelf on front of the Brackets (E). Attach the Shelf (F) and Bracket using the 3/4" Screw (D) in the Bracket front and the 1" Screw © at the back.

