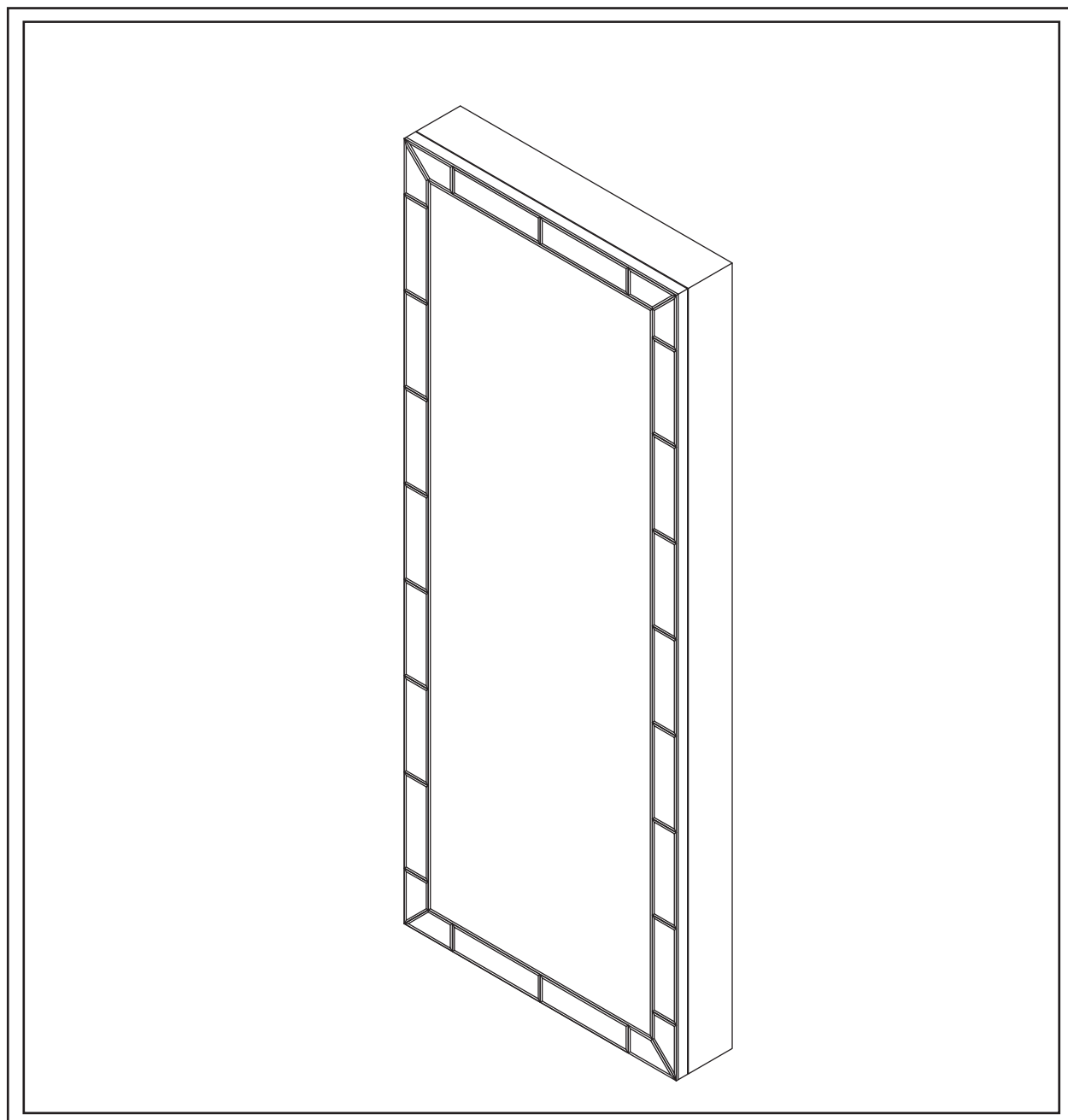




PRODUCT NAME: Jewelry Mirror

ITEM NUMBER: WS994


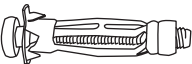
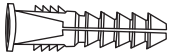
ASSEMBLED DIMENSIONS : 60"H x 24"W x 5"D



⚠ Assemble in location for intended use.



Prevent accidentally discarding small parts or hardware.
Retain all carton contents until assembly and installation are complete.

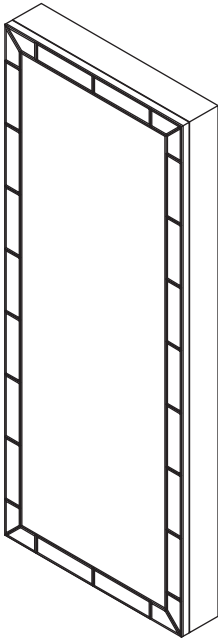
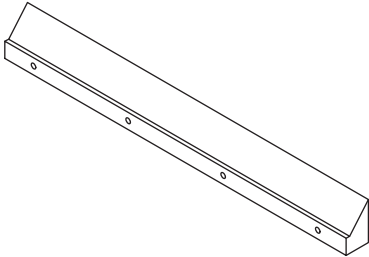
Ltr.	Qty.	Hardware Included
A	2	 <p>Wood Screws (For use when Wall Stud is present or with Wall Anchor)</p>
B	2	 <p>Expansion Bolts For use in open drywall. (No Wall Stud present)</p>
C	2	 <p>Wall Anchors For use in open drywall. (No Wall Stud present)</p>

REQUIRED TOOLS:

Phillips Screwdriver, Level, Pencil, Drill with 1/4" Bit, Small Hammer

-Two person assembly suggested.

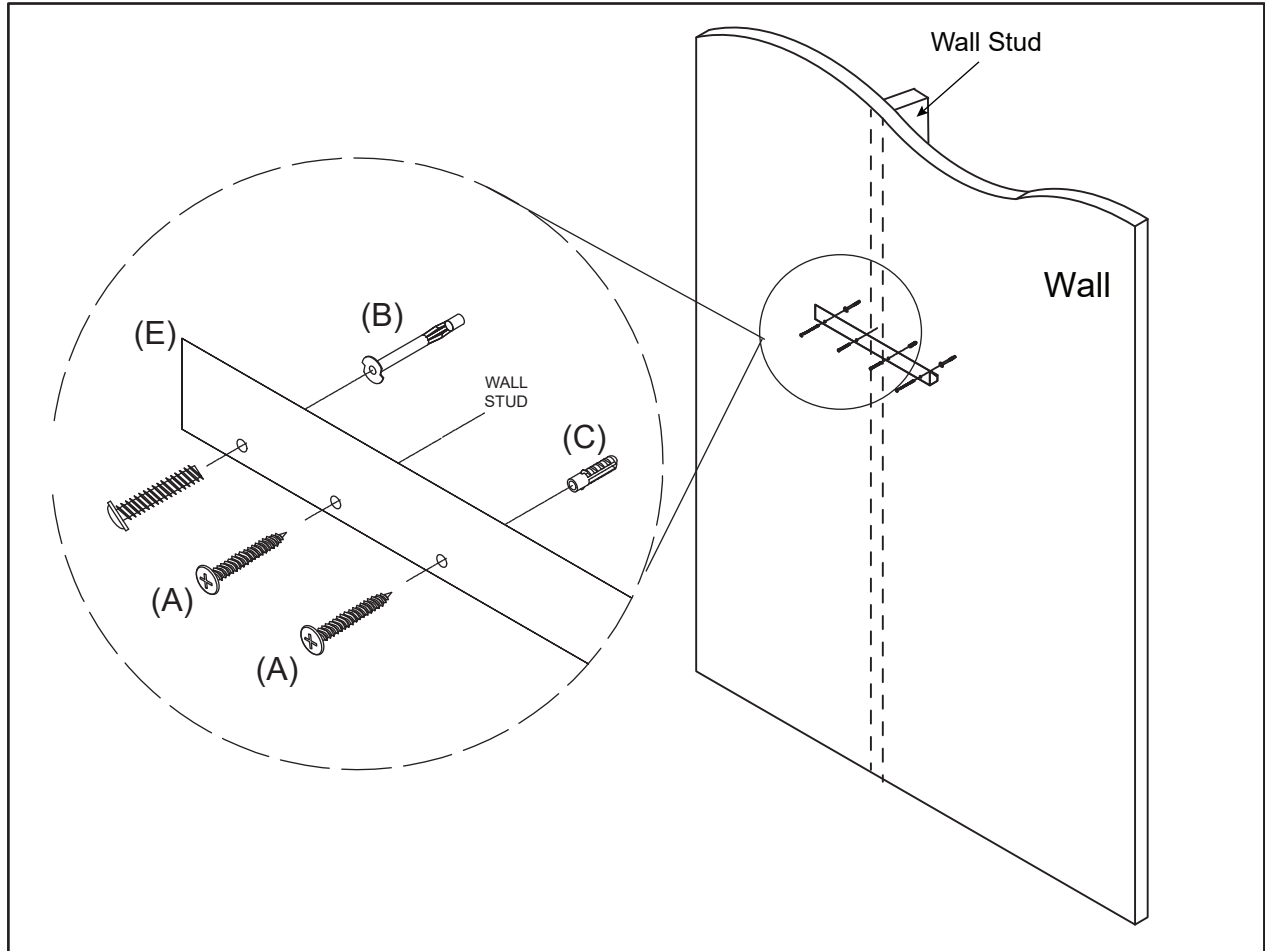
Remove all parts, hardware and protective packaging from carton and carefully arrange on a clean, level, padded surface.

Ltr.	Qty.	Components
D	1	 <p>Jewelry Mirror (D)</p>
E	1	 <p>Wooden Cleat (E) NOTE: Cleat ships inside channel on back of cabinet. Remove from cabinet to install.</p>
		<p>NOTICE</p> <p>Loaded Jewelry Mirror will be heavy. At least one screw securing Cleat (E) should be anchored into a wall stud.</p>

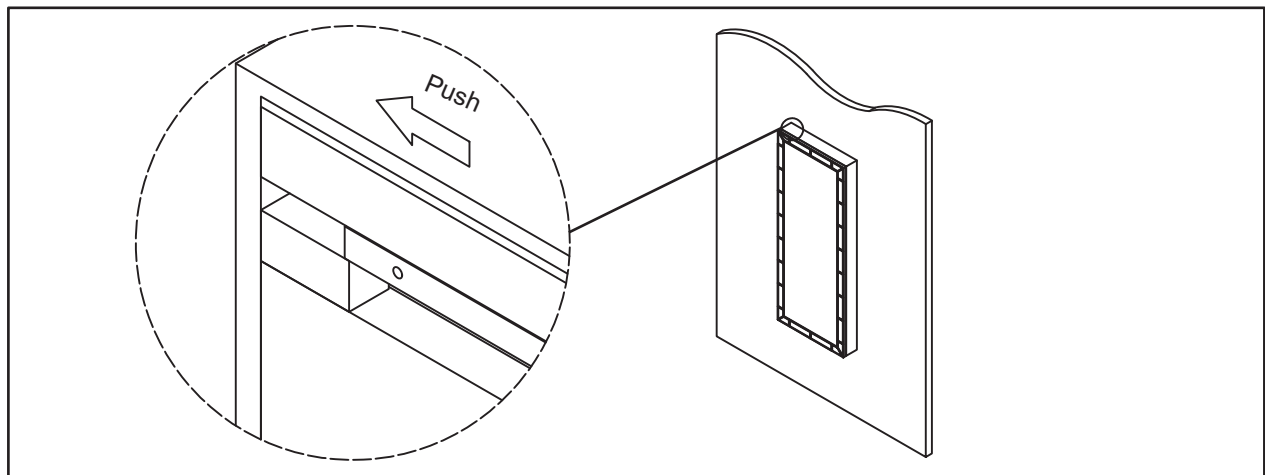


STEP 1: Determine location for Jewelry Mirror (D), locate Wall Stud(s) inside wall. Use a Level and Pencil to position then mark wall for Cleat.

- ▲ Best support provided by driving Wood Screw (A) directly into a Wall Stud.
 - ▲ Expansion Bolts (B) provide best support where not Wall Stud is present.
 - ▲ Wall Anchors (C) are used when one Screw in Cleat is anchored to a Wall Stud or an Expansion Bolt.
- DO NOT USE WALL ANCHORS ALONE as they may pull out of wall once cabinet is loaded.

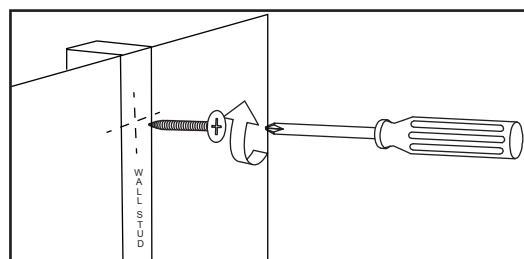


STEP 2: Once Cleat (E) is anchored to wall, lift Jewelry Mirror (D) to Cleat, fit slot in Mirror over Cleat then push Mirror LEFT to center and secure.



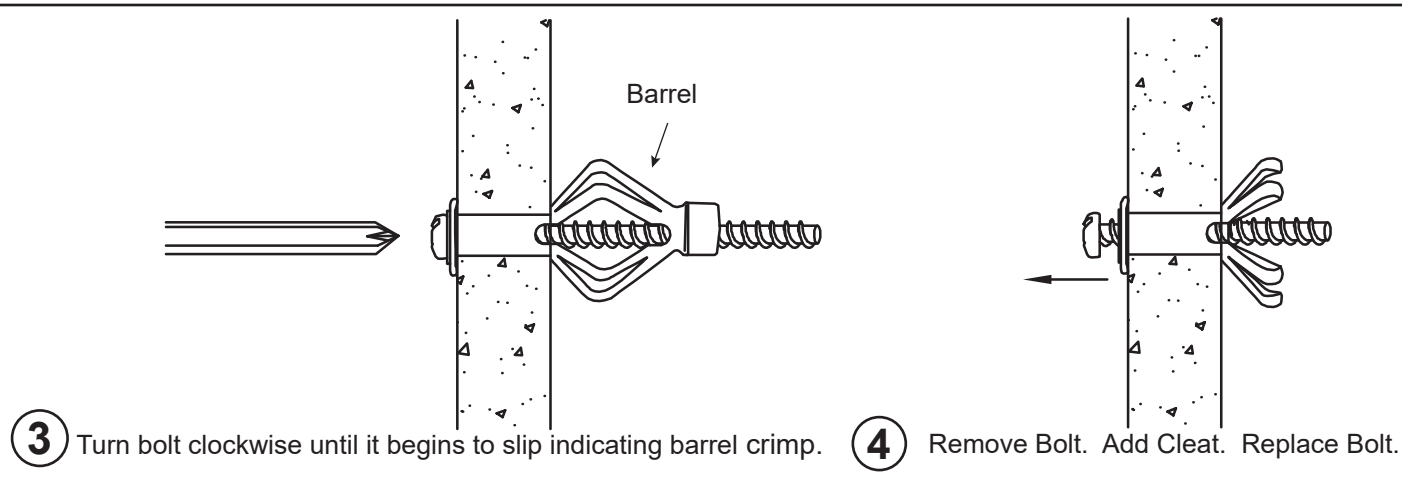
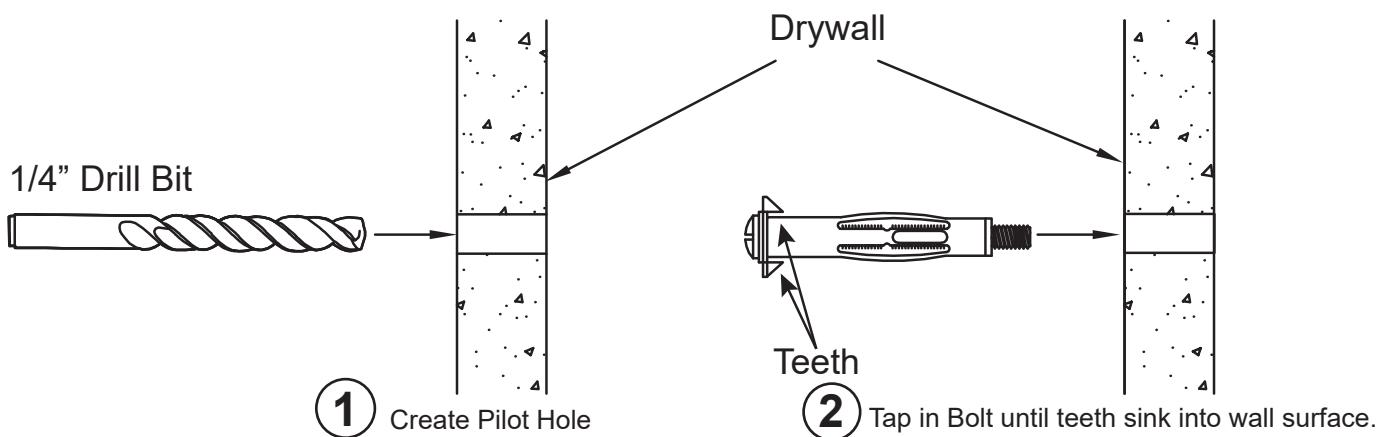
WOOD SCREWS

Wood Screws provide optimal support when driven directly into a Wall Stud. If installation point is over a Wall Stud, drive Wood Screw directly into Stud.

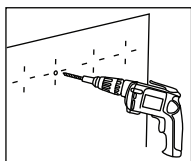


DO NOT USE WOOD SCREWS IN OPEN DRYWALL.
SCREWS WILL PULL OUT OF WALL.

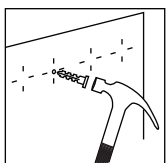
INSTALLING EXPANSION BOLTS



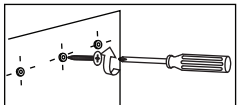
INSTALLING WALL ANCHORS



1 Mark location. Drill small pilot hole with 3/8" bit.



2 Gently tap Anchor into pilot hole.



3 Add item/Align holes. Add/tighten screw.



Cleaning and Care

DO NOT use alcohol based products or spray polishers as finish damage may result.
Periodically dust with a soft, dry cloth.



Customer Service: 800-367-2810
Online: www.ballarddesigns.com