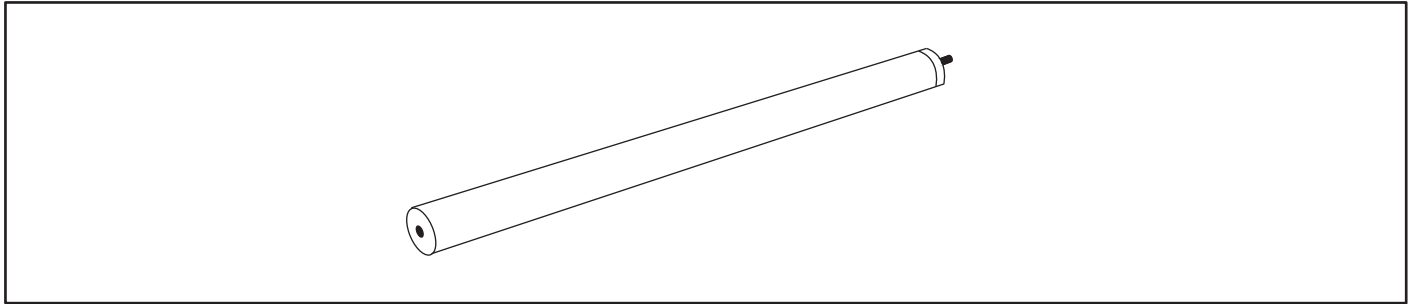
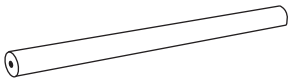
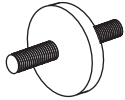




PRODUCT NAME: Steel and Oak Drapery Rods  
ITEM NUMBER: WY031  
ASSEMBLED DIMENSIONS : 24 1/4" L x 1 1/4" Diameter

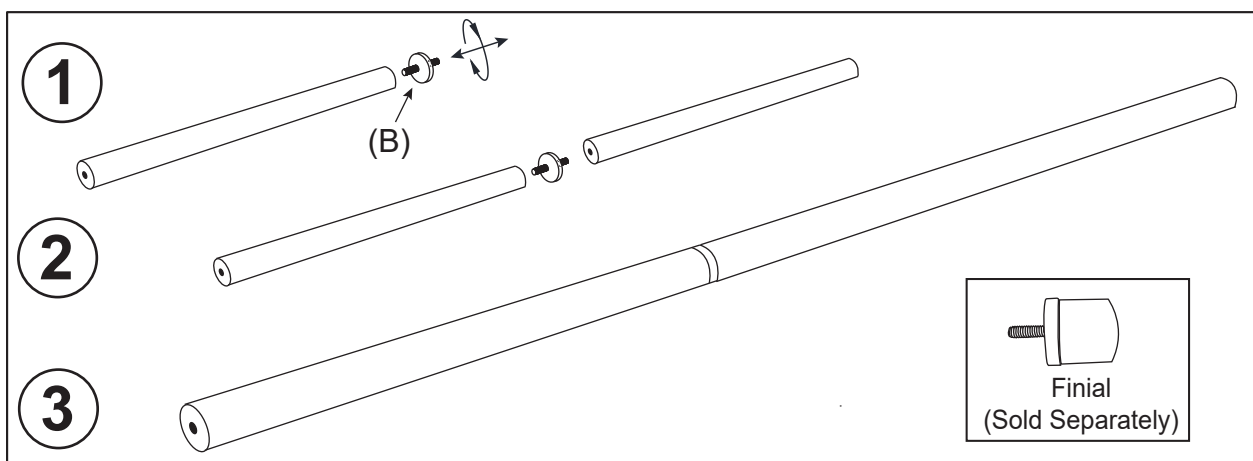


Ltr.	Qty.	Hardware and Components Included
A	1	 Rod (A)
B	1	 Connector (B) (Ships attached to end of Rod)

NO TOOLS REQUIRED

**ASSEMBLY:** Rod (A) features threaded holes in each end which permit connection of multiple units, sold separately. Simply thread, turn and tighten units together.

Designed for use with Steel and Oak Brackets (WY032), Finials (WY033) and Tiebacks (WY034), all sold separately.



**INSTALLATION:** Provide an adequate number of Brackets to support longer runs. To prevent possible Rod deflection, place Brackets approximately every 48".  
Remove Connector (B) from open ends and cap with Steel and Oak Finials (Sold Separately).